



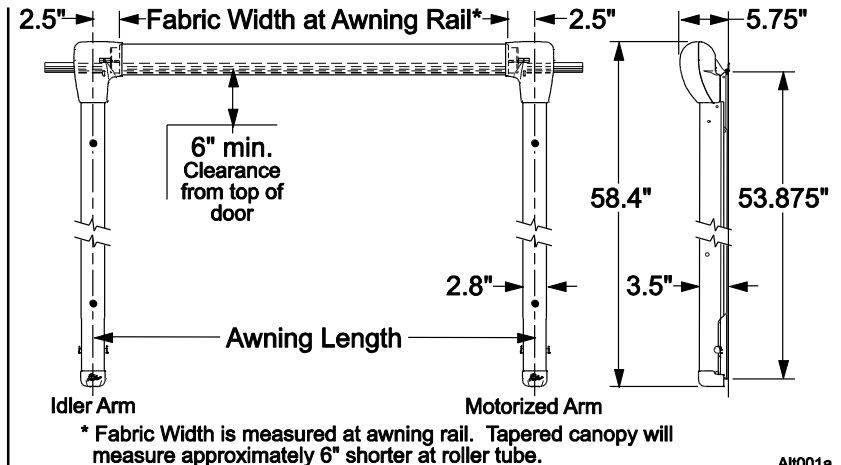
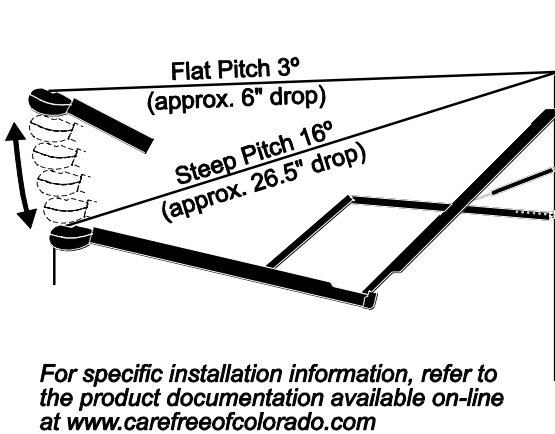
# ALTITUDE

## Motorized Adjustable Pitch Vertical Arm Patio Awning

- The unique "scissor" style arms eliminate the need for vertical ground supports.
- Worm gear style motor is billow proof - eliminates the need for travel locks.
- The shorter mounting height (54" below awning rail) fits standard installations and most 5<sup>th</sup> wheel gooseneck applications.
- Easy to use 6 position pitch adjustment. Pitch can be set with the awning open or closed.
- Streamlined installation: 1) Roller tube attaches to the arms with snap rings installed in the heads. 2) Outer channels are predrilled for initial mounting screws - no need to open arms.
- LED Options: Available in white or RGB (color). LED's can be mounted in the roller tube or at the awning rail.
- Arms are prewired with an auxiliary power harness for Carefree Connect options.



### SPECIFICATIONS



<b>LENGTH:</b>	8 - 20 feet	<b>EXTENSION:</b>	88 inches	<b>PITCH:</b>	Adjustable - 6 position
<b>MOTOR:</b>	Power: 10VDC-14VDC	Circuit Rating:	15 amp	Motor mounted on arm	
<b>POWER SOURCE:</b>	Vehicle's 12V system				
<b>EXTEND ACTUATION:</b>	Gas Shock				
<b>POSITION CONTROL:</b>	Motorized roll out/in				
<b>CONTROLLER:</b>	Standard: 3 position, momentary ON, center OFF Switch Optional: BT12 Wireless Awning Control System				
<b>COLOR:</b>	Frame:	White, Black			
	Canopy:	Vinyl with Weatherguard or FLXguard. Refer to sales literature for options.			
<b>LED:</b>	Power:	1A, 12VDC			
	Control	White: Single pole, single throw switch (SR0101) RGB IR (Infrared) Controller with sensor and remote.			

### WARRANTY

The Altitude is covered by the standard Carefree of Colorado 1 year Limited Warranty.