



PRODUCT DATA SHEET

TRAVEL'R

Motorized Adjustable Pitch Vertical Arm Patio Awning

The unique "scissor" style arms eliminate the need for vertical ground supports.
Worm gear style motor is billow proof - eliminates the need for travel locks.

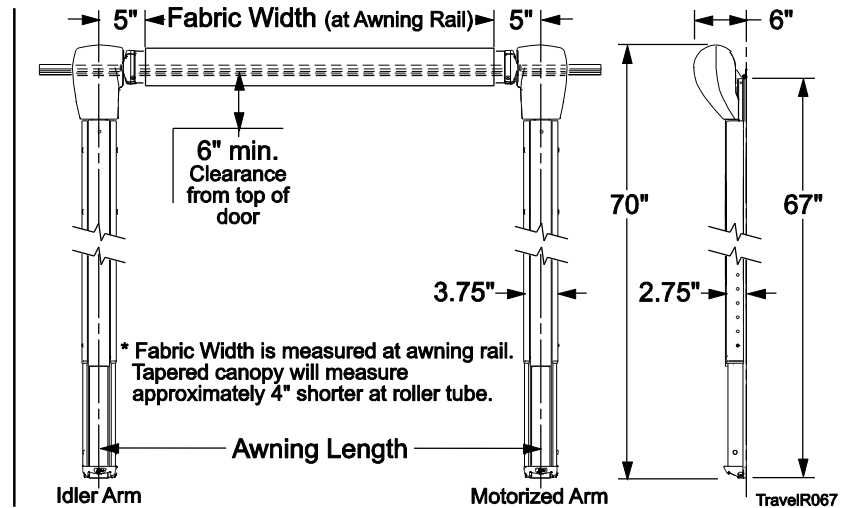
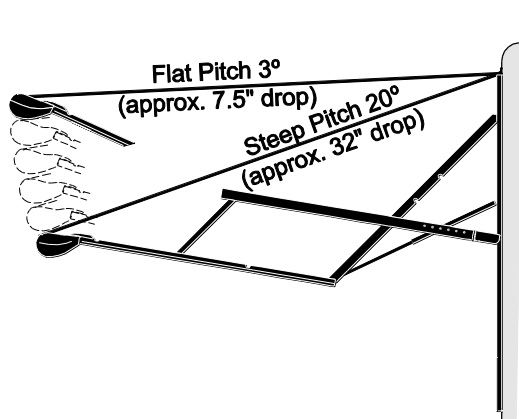
Easy to use 6 position pitch adjustment. Pitch can be set with the awning open or closed.

Can be installed using a single switch control or with the Direct Response™ electronic system.

LED Options: Available in white or RGB (color). LED's can be mounted in the roller tube or at the awning rail.



SPECIFICATIONS



For specific installation information, refer to the product documentation available on-line at www.carefreeofcolorado.com

LENGTH:	8 - 20 feet	EXTENSION:	90 inches	PITCH:	Adjustable - 6 position
MOTOR:	Power: 10VDC-14VDC	Circuit Rating:	15 amp	motor mounted in arm	
POWER SOURCE:	Vehicle's 12V system				
EXTEND ACTUATION:	Gas Shock				
POSITION CONTROL:	Motorized roll out/in				
CONTROLLER:	Standard: 3 position, momentary ON, center OFF Switch Optional: Direct Response Electronic System				
COLOR:	Frame:	White or Black			
	Fabric:	Heavy Duty Vinyl or Acrylic Fabric (refer to sales literature for colors)			
	Fabric Wrap:	Weatherguard (vinyl only), FLXguard, Alumaguard or Uniguard			
LED:	Power:	1A, 12VDC			
	Control	White: Single pole, single throw switch (SR0101) RGB IR (Infrared) Controller with sensor and remote.			

WARRANTY

The Travel'r Awning is covered by the standard Carefree of Colorado 1 year Limited Warranty.