



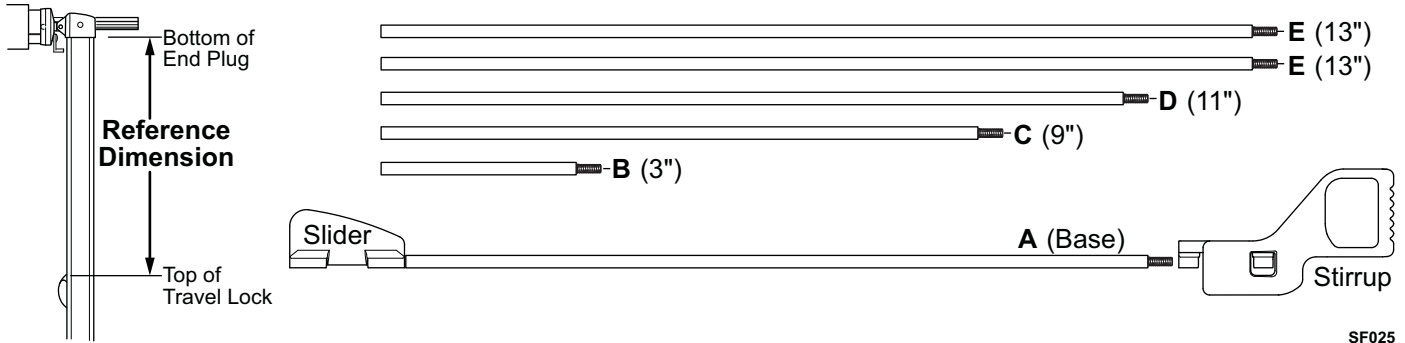
HD METAL HARDWARE KITS

RV Kits

KIT No: 901097HD REMOTE LOCK KIT
901099HD LOCK UPGRADE KIT (REMOTE LOCK + TRAVEL LOCKS)

INSTALLING THE REMOTE LOCK

1. Determine the correct length of the remote lock.



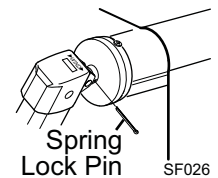
SF025

- 1.1. Measure the distance from the top of the travel lock to the bottom of the end plug. This will be the reference dimension for the chart below.
- 1.2. Remove the stirrup from the top of the base rod (A).
- 1.3. Based on the reference dimension, add the appropriate additional rods to the top of the base rod.

Reference Dimension	22.5"	31.5"	35.5"	38.5"	48.75"
Rods to Use:	A + D	A + C + D	A + D + E	A + B + D + E	A + D + E + E

NOTE: The finished length of the rod does not match the reference dimension.

- 1.4. Thread stirrup onto rod.
2. Open the awning. On the left arm, raise and lock the upper brace in position. Do not forget to tighten the black lock knob. **NOTE:** As an additional safety, align the cotter pin holes in the LH cap and spring and temporarily insert a lock pin through the hole. This will prevent the awning from closing if the upper brace is not adequately tightened.



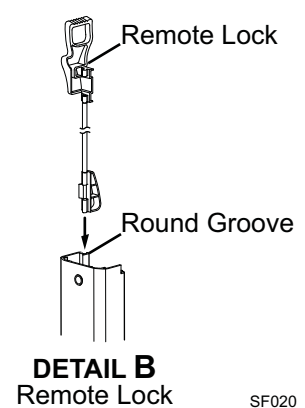
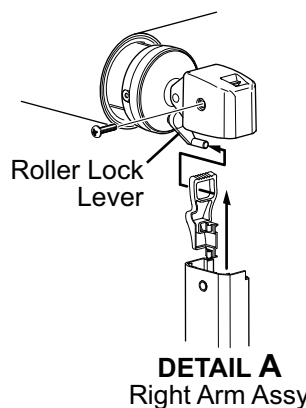
SF026

3. On the right side, tape the roller lock lever in the OPEN position.



The roller lock MUST stay in the open position. If the lever is pushed to the close position while the end plug is not attached to the arm channel, the wound spring will unwind quickly with significant force. Personal injury and/or property damage could occur.

4. (Detail A) Detach the end plug and lift off of the arm channel. Unhook the old remote lock stirrup from the lock lever while lifting the roller tube.
5. It will be necessary to hold onto the arm when the end plug is removed.
6. It will be necessary to support or hold the roller tube during the next two steps.
7. Slide the old remote lock out of the round groove of the right arm.
8. Clean the groove then slide the new remote lock in. Allow the lock to protrude over the arm channel.
9. Lift the roller tube over the arm channel and hook the remote lock stirrup over the lever. Slide the remote lock into the channel while sliding the end plug onto the arm.
10. Align the holes and secure the end plug with the screw removed previously.
11. Remove cotter pin (if installed) and the tape used to hold the lock lever in place.



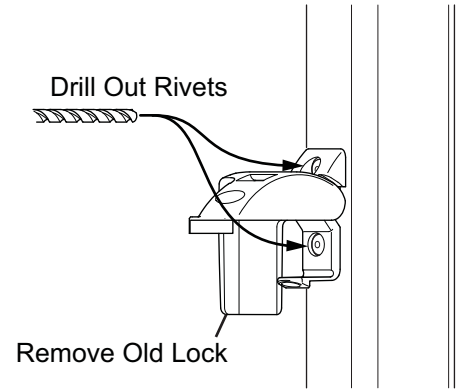
SF020

INSTALLING THE TRAVEL LOCKS

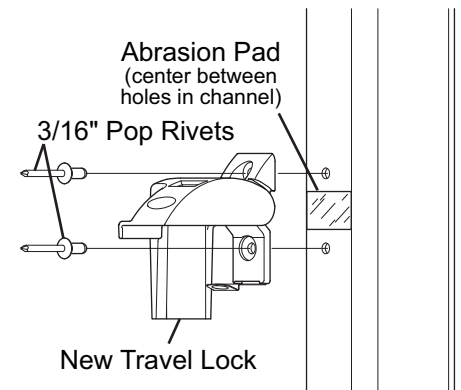
Travel Locks are included with the Lock Upgrade Kit. Travel Lock kits are also available separately (part number 901096HD).

1. Fully extend the awning.
2. Raise the awning until the rivets of the travel lock are exposed inside the channel.

3. Drill out the rivets and remove the old lock.



4. Clean the surface of the channel.
5. Remove the release paper and attach the abrasion pad to the channel. Pad should be centered between the holes.
6. Attach the new lock with the two (2) 3/16" pop rivets provided. You will need a pop rivet tool for this.



SF028