



RV Accessories

CAREFREE'S POLE KIT ALLOWS YOU TO TURN YOUR SUNBLOCKER OR EZ ZIP BLOCKER INTO AN AWNING EXTENSION.

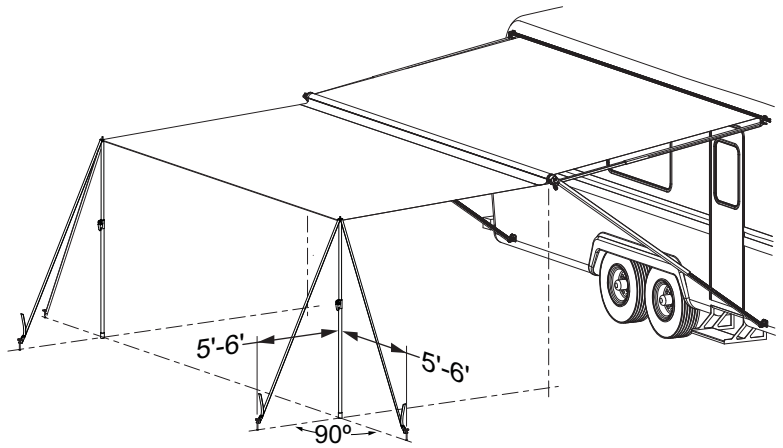
This procedure is easiest done with two people.

**NOTICE** Set the awning power switch to off to prevent the awning from retracting when the supports are installed. Retracting the awning with the supports and tie-downs attached can damage the awning.

1. Install the Sunblocker or EZ Zip Blocker according to the product documentation. Do not stake the bottom of the panels.
2. Stretch the blocker out from the awning.
3. Place the post of the vertical support through the ring in the corner of the panel.
4. Open the height adjustment lever on the vertical support and adjust the height of the support as desired.

The poles may be adjusted from 46" to 90".

5. With a second person holding the support, place a stake through the d-ring of the tension strap. Then drive the stake into the ground approximately 5'-6' in front of the fabric.



6. Place the top d-ring over the vertical support post. Tighten the strap by pulling the open end of the strap through the tension adjustment rings.

7. Place a second stake through the d-ring of the second tension strap. Then drive the stake into the ground approximately 5'-6' to the side of the vertical support and in-line with the front edge of the fabric.

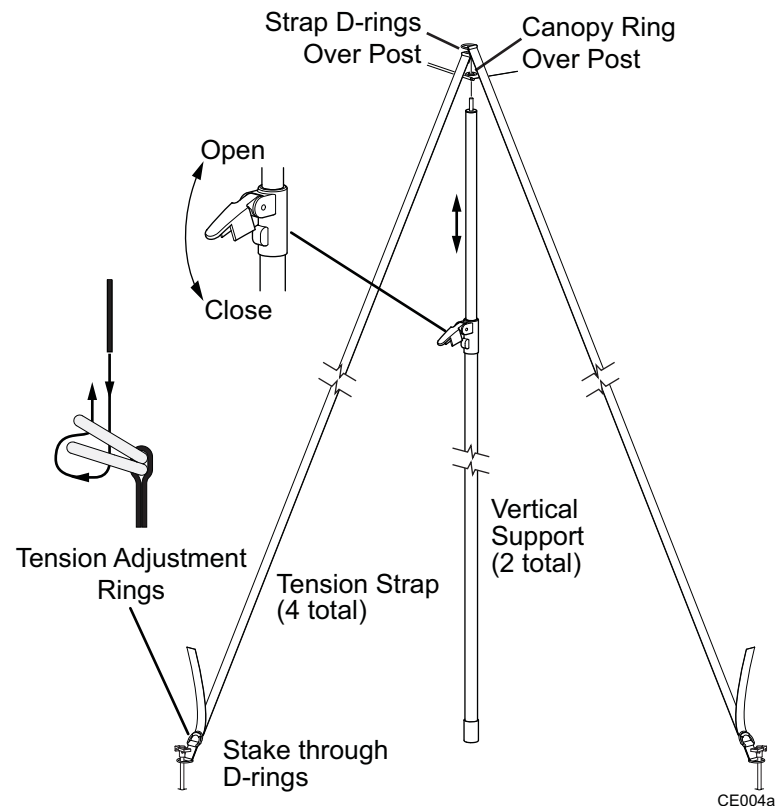
8. Place the top d-ring over the vertical support post. Tighten the strap by pulling the open end of the strap through the tension adjustment rings.

**NOTE:** It may be necessary to adjust the strap tension after attaching the other side.

9. **To loosen the straps**, lower the height of the vertical support until the strap sags. Loosen the strap through the tension adjustment rings.

10. Repeat steps 3 through 8 for the other side.

**NOTICE** If it is necessary to adjust the awning pitch after staking down the blocker; loosen the front tension straps before adjusting the pitch. Failure to do so may cause damage to the awning and canopy extension.



**NOTICE** Always remove the supports before retracting the awning. Retracting the awning with the supports and tie-downs attached can damage the awning.