



# CAREFREE TRUCKIN'AWN

## OWNERS MANUAL /INSTALLATION INSTRUCTIONS

**READ ENTIRE INSTRUCTIONS BEFORE BEGINNING OPERATION. FOLLOW ALL CAUTIONS, WARNINGS AND NOTES TO PREVENT INJURY OR DAMAGE TO AWNING OR VEHICLE.**

**CUSTOMER MUST RECEIVE THIS MANUAL UPON INSTALLATION—MANUAL CONTAINS SAFETY, INSTALLATION, OPERATION, CARE AND MAINTENANCE AND WARRANTY INFORMATION**

### SECTION I: SAFETY INFORMATION

**CAUTION:** means a hazard that may cause minor or moderate injury if the warning is ignored. It also may mean a hazard that will cause damage to property.

**CAUTION: THE AWNING IS NOW UNDER FULL SPRING TENSION: IF RELEASED FROM THIS POINT IT WILL ABRUPTLY ROLL UP TO THE STORED POSITION POSSIBLY CAUSING PERSONAL INJURY OR DAMAGE TO BOTH THE AWNING AND THE RV.**

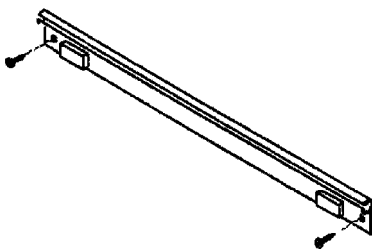
### SECTION II: INSTALLATION

Read the following specifications before beginning installation.

- Verify that there is at least 3" of horizontal unobstructed mounting space above the door.
- Decide where the arms will fit and not interfere with lights, ladders, etc. **TRUCKIN'AWN ROLLER ASSEMBLIES MEASURE FROM CENTER OF ARM TO CENTER OF ARM. I.E. 4' AWNING HAS BRACKET CENTERS OF 4' EVEN.**
- Verify that there is at least 2" of space for the mounting of each vertical arm.

#### 1. INSTALLATION OF AWNING RAIL

- Remove awning rail from package. Apply sealer (putty tape or silicone) to the back surface of the rail.
- Determine point (left to right) where awning will best cover the door and still allow for the mounting of the bottom brackets and upper brace.
- Position rail at least 3" above top of door and at the pre-determined left to right location.  
**NOTE: THE AWNING RAIL MUST BE INSTALLED WITH THE SLOT POINT UP.**
- Attach rail to camper with the appropriate screws and or molly rivets.



#### 2. HANGING OF TRUCKIN'AWN

**A.** Attach each arm assembly to the roller assembly by inserting the rivet nut into the nylon washer and then into the arm channel hole. Next, insert the arm channel into cap casting. Secure using #10 x 3/4" machine screws.

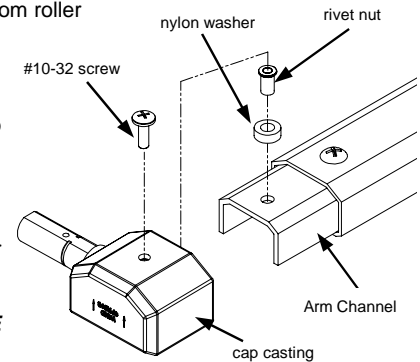
**B.** Unwrap enough vinyl from roller assembly to allow for easy insertion into awning rail.

**C.** Slide entire awning into awning rail and position in pre-determined left to right location over door.

**D.** Carefully remove cotter pins from end caps.

**CAUTION: THE COTTER PINS ARE HOLDING THE PRE-WOUND TENSION ON THE ROLLER**

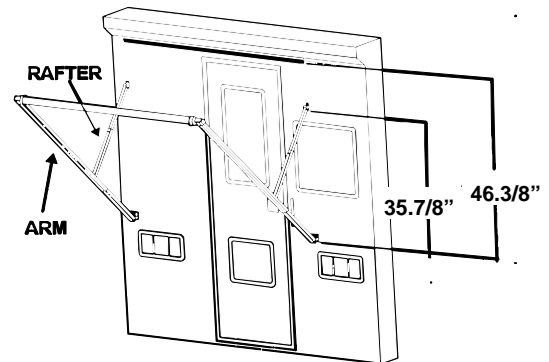
**ASSEMBLY. CARE MUST BE TAKEN TO PREVENT ANY DAMAGE OR INJURY WHEN REMOVING PINS.**



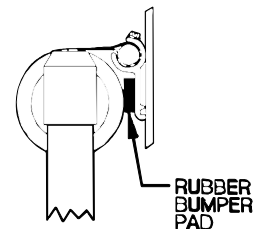
#### 3. MOUNTING BOTTOM BRACKETS

**A.** Align the arms parallel with the door frame, or as vertical as possible. (If the door frame does not appear to be straight).

**B.** Measure down and make a mark 46.3/8" below the awning rail and in line with the arm channel. This will be where the center line of the bottom brackets are mounted. From these marks measure up 38.7/8" and make another set of marks. This will be where the bottom edge of the rafter mounts are positioned.



**C.** Position the bottom bracket of the arms so that the previously made marks line up with the center line of the bottom bracket bolt. The roller assembly end caps should rest against the rubber bumpers installed on the awning rail. This may require adjusting the arm channels by pushing in on the arm spring button and sliding the lower arm upward until the spring button engages in the top hole of the outer arm channel.



D. Align arms vertically and install the bottom brackets using the #12 x 1" screws provided.

#### 4. INSTALLING RAFTER SUPPORT

A. While the awning is still rolled up to the vehicle, position the rafter support vertically and mark where the bracket will attach. Pull the top end plug fastener of one arm and lift the end plug off of the top of the arm channel. The roller assembly should still be supported by the other arm and the awning rail. Swing the arm outward and disengage the rafter.

B. Attach the rafter foot in the marked position.

C. Raise the arm and slide the rafter arms back together. Place the end plug back on to the top of the arm channel and install the fastener securely.

D. Do the same sequence with the opposite arm.

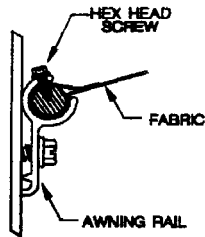
#### 5. SECURING CANOPY

A. Roll awning out and then back up against the wall of the vehicle until the roller end caps are resting against the rubber bumpers of the awning rail.

B. Check to see that the arms are aligned properly allowing the canopy to roll up straight.

C. Drill two 3/32" holes through the awning rail, polycord and canopy approximately 2" from each end of the canopy. Secure canopy using a #6x 3/8" Phillips Head Screw in each hole.

D. Fasten door corner guard to the top of the door to protect the material from any sharp edge.



### SECTION III: OPERATING INSTRUCTIONS

#### 1. TO EXTEND AWNING

A. While standing in the door way, grasp the pull strap and pull the roller assembly outward from the vehicle until the rafter buttons engage in the holes of the rafters.

B. Once the rafter buttons engage in the holes, pull outward on the pull strap and release the rafter button **on one side only**. Once the rafter button is released, slowly release the pressure on the pull strap until the awning stops rolling up. This will release the pressure on the arm to be adjusted. Then, release the arm button and raise that arm upward to the desired position. Pull outward on the pull strap until the rafter button engages.

C. Move to opposite side and repeat the process.

D. Slide pull strap to one side and wrap it around the rafter or the arm to make it easier to enter or exit.

#### 2. TO CLOSE AWNING

A. Position the pull strap in the middle of the roller assembly. Pull outward on the pull strap and release the rafter button **on one side only**. Once the rafter button is released, slowly release the pressure on the pull strap until the awning stops rolling up. This will release the pressure on the arm to be adjusted.

B. Push in on the arm button on the same side, and move the arm to the lowest position. Pull outward on the pull strap until the rafter button engages.

C. Move to the opposite side and repeat the process.

D. Position the pull strap in the middle of the roller assembly. Pull outward on the pull strap and release the rafter button **on both sides**. Make sure both rafter buttons are released.

**CAUTION: ONCE BOTH RAFTERS ARE RELEASED, THE AWNING WILL BE UNDER FULL SPRING TENSION: IF RELEASED FROM THIS POINT IT WILL ABRUPTLY ROLL UP TO THE STORED POSITION POSSIBLY CAUSING PERSONAL INJURY OR DAMAGE TO BOTH THE CAMPER AND THE AWNING!**

E. With the pull strap in the center, slowly allow the awning to roll up to the vehicle.

### SECTION IV: CARE AND MAINTENANCE

#### 1. CARE OF FABRIC

Mildew will not form on the awning material itself, but may form on the dust allowed to accumulate on the canopy. A mild cleaner will keep your vinyl awning looking like new. Follow instructions on container.

**NOTE: ALLOW CANOPY TO DRY COMPLETELY BEFORE ROLLING AWNING UP.**

Metal surfaces should be cleaned with warm soapy solution and thoroughly rinsed.

#### 2. PERIODIC MAINTENANCE

Like any other part of the RV, an owner should periodically inspect the awning. The following items should be checked.

1. All mounting screws are tight.
2. Check all pivot points for enlargements of holes or broken rivets.
3. Check that the awning rail is tight against coach and all screws are tight.
4. Check canopy for loose stitching and possible shrinkage.

## **CAREFREE MAJOR PRODUCT LIMITED WARRANTY**

Carefree of Colorado (hereafter referred to as Carefree) warrants to the first retail Purchaser that the Carefree Product is free of defects in material and workmanship within the terms and conditions as set forth in the warranty statement available online at [www.carefreeofcolorado.com](http://www.carefreeofcolorado.com). Carefree's obligation under this warranty is limited to the repair or replacement, at Carefree's option, of any defective component with new or factory refurbished components.

OWNER MUST RETAIN THE ORIGINAL PROOF OF PURCHASE AND/OR HAVE THE PRODUCT WARRANTY REGISTRATION ON FILE AT CAREFREE FOR WARRANTY CLAIMS.

THIS WARRANTY IS NOT TRANSFERABLE.

**For**

- **Warranty Duration;**
- **Warranty Coverage and Exclusions;**
- **Warranty Terms of Coverage; and,**
- **Warranty Claim Procedures**

Refer to publication  
052580-111 "Carefree Major Product Limited Warranty"  
available online at  
[www.carefreeofcolorado.com](http://www.carefreeofcolorado.com)

*Register your Carefree products on-line at [www.carefreeofcolorado.com](http://www.carefreeofcolorado.com)*

**IMPORTANT NOTICE:** It is strongly recommended that adjustments and repairs be performed by trained technicians at your Authorized Carefree Dealer. Work performed by non-authorized persons or businesses may void warranty.