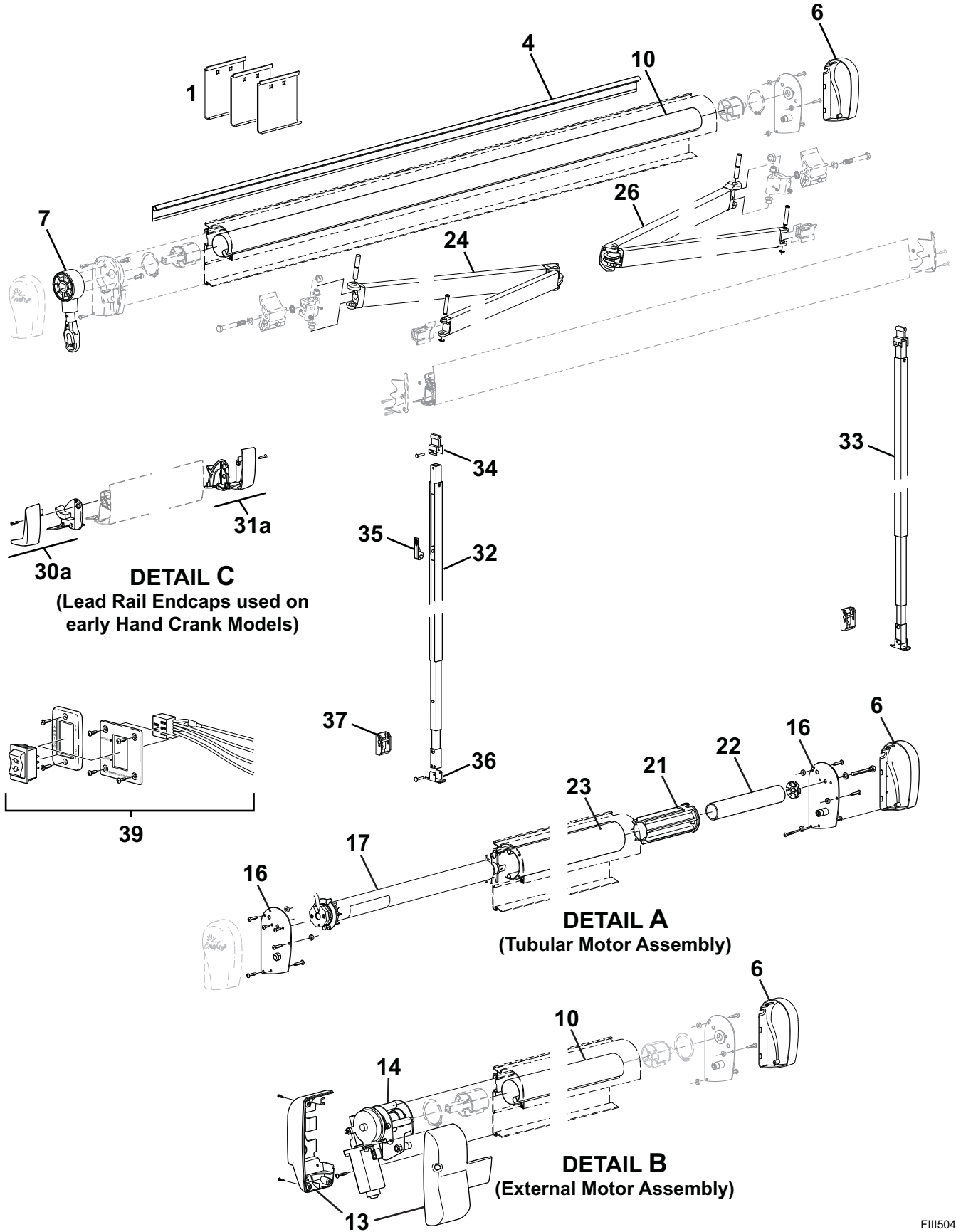


FREEDOM SERIES PATIO ILLUSTRATED PARTS LIST (SERIES CODE AV)

- MANUFACTURED AFTER 01-09



FIII504

Item	Part Number	Description	Notes
1	R019311-001	Bracket Kit	8'-11' 2
4		Awning Rail	See Hardware and Accessories
6	R001199XXX	End Cap, RH	
7	R062777-XXX	Manual Crank Assy	
10		Roller Tube, 1 7/8, Steel	See Hardware and Accessories
13	R001503XXX	End Cap Kit, 2-pieces, LH	External Motor
14	R001502XXX	Motor Assy (includes end caps)	External Motor
16	R036425-001	End plate, Housing, Motorized, Tubular Motor	LH, RH
17	R001189	Motor, Tubular	3
21	R001188	Bushing, Roller Tube	RH
22	R034923-001	Pivot Tube, Roller Tube	RH
23		Roller Tube, 2 1/4	See Hardware and Accessories
24	R012530-TB68L	LH Spring Arm 8'	
	R012530-TB76L	LH Spring Arm 9'	
	R012530-TB94L	LH Spring Arm 10'-13'	
26	R012530-TB68R	RH Spring Arm 8'	
	R012530-TB76R	RH Spring Arm 9'	
	R012530-TB94R	RH Spring Arm 10'-13'	
30a	R001027XXX	End Plate, Lead Rail	SEE NOTE 4 LH 4
31a	R001028XXX	End Plate, Lead Rail	SEE NOTE 4 RH 4
32,33		Ground Support	
		Awning Length (22) LH (23) RH	
		8 foot R00201 R00205	
		9 foot R00202 R00206	
		10-13 feet R00203 R00207	
34	R001652	Pivot Block	
35	R00144	Flipper Latch Assy	6
36	R00394	Carport Foot	
37	R00038	Bottom Bracket	Qty 1
38		Hand Crank Assembly	See Hardware and Accessories
39	R001605	Switch Kit	5

- Notes:
1. XXX = Color.
 2. Brackets available in kits only. All kits include carriage bolts, washers and nuts.
 3. Motor assembly (item 17) includes drive and bearing.
 4. Plastic lead rail plates (30a, 31a) used on early hand crank models.
 5. Switch Kit (item 29) replaces all previous single switch kits. Kit includes instructions for replacing older switches.
 6. Replacement latch levers are orange.