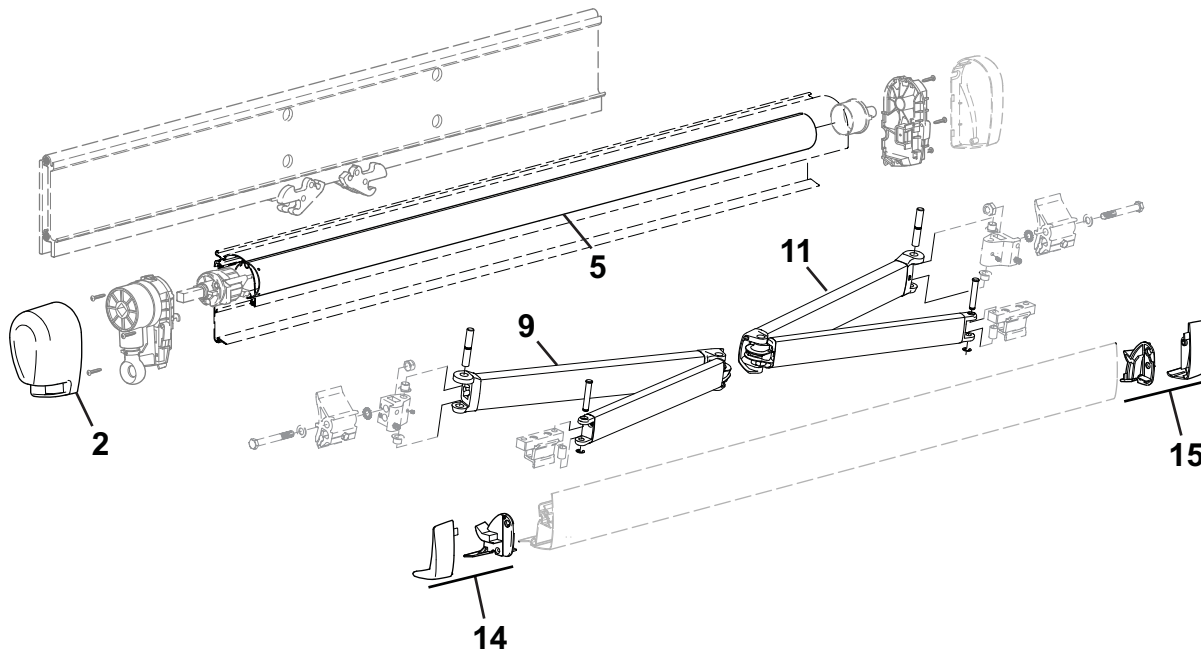


FREEDOM OTD SLIDER ILLUSTRATED PARTS LIST

- MANUFACTURED PRIOR TO SEPT 2008



Components in **GRAY** are no longer available.

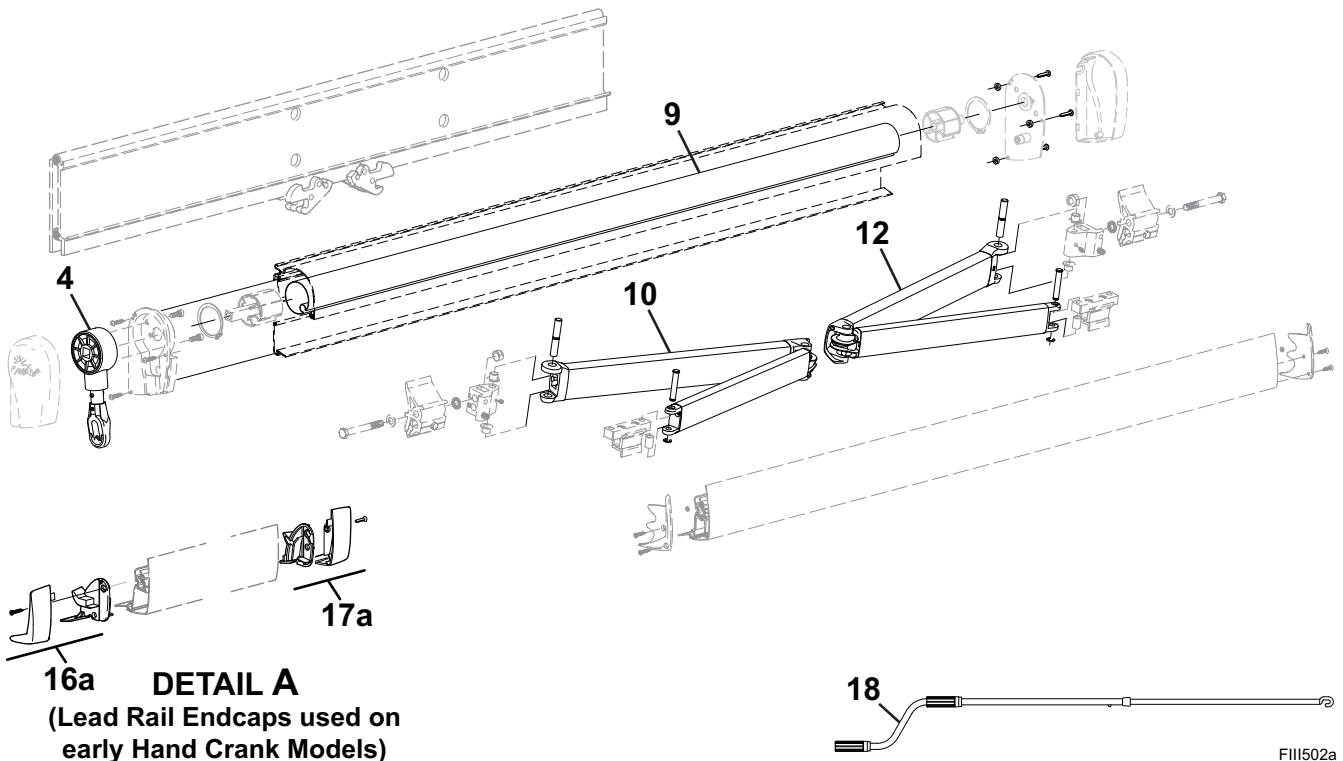
F111502

Item	Part Number	Description	Notes
2	R001026XXX	End Cap, Manual Crank	LH 1
5		Roller Tube, 1 7/8	See Hardware and Accessories
9	R012530-TB32L	Spring Arm Assy	LH
11	R012530-TB32R	Spring Arm Assy	RH
14	R001027XXX	End Plate, Lead Rail	LH 1
15	R001028XXX	End Plate, Lead Rail	RH 1
17		Canopy Only	Refer to Canopy Order Form
18		Hand Crank, Telescoping	See Hardware and Accessories
19	R001251	Shim Kit	not shown

Notes: 1. XXX = Color; xxx = Length in inches.
 2. Parts shown in gray are no longer available.

FREEDOM OTD SLIDER ILLUSTRATED PARTS LIST

- MANUFACTURED AFTER SEPT 2008



16a **DETAIL A**
(Lead Rail Endcaps used on early Hand Crank Models)

FIII502a

Item	Part Number	Description	Notes
4	R062777-00X	Manual Crank Gear Assy	
9		Roller Tube, 1 7/8, Steel	See Hardware and Accessories
10	R012530-TB32L	Spring Arm Assy	LH
12	R012530-TB32R	Spring Arm Assy	RH
16a	R001027XXX	End Plate, Lead Rail	SEE NOTE 2 LH 2
17a	R001028XXX	End Plate, Lead Rail	SEE NOTE 2 RH 2
18		Hand Crank, Telescoping	See Hardware and Accessories
19	R001251	Shim Kit	not shown

- Notes:
1. XXX = Color.
 2. Plastic lead rail plates (16a, 17a) used on early hand crank models.
 3. Parts shown in gray are no longer available.