

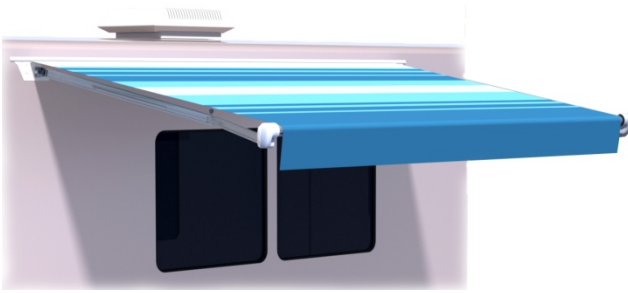


RV

OWNER'S MANUAL

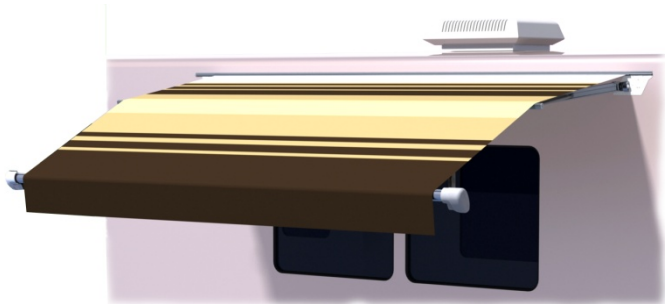
LATITUDE

12V Motorized Lateral Arm Awning
with Direct Response



**Latitude –
Single Stage**

**Latitude –
Dual Stage**



Special Note: This manual provides a basic description of the product and the standard operating controls provided by Carefree of Colorado. Some Original Equipment Manufacturers (OEM's) may alter or change the placement, style and/or functional configuration of the switches. If your controls do not match the style or description included, contact the coach manufacturer for an accurate description. OEM furnished components are not covered by the Carefree warranty.

About Carefree

From its beginning in the early 70's, Carefree of Colorado has emerged as the premier manufacturer of quality awnings and accessories for Recreational Vehicles (RVs). Our full line of products can provide the accessories that match your life style; no matter what type of RV you own. Check with your dealer to discover the products that can make your life more Carefree.


The Carefree Latitude awning is state of the art with lateral support arms that provides strength and functionality without interfering with coach sidewalls, custom graphics or equipment that may be mounted on the sidewalls.

- *When retracted, the housing provides protection against the elements while the streamlined styling blends in with the RV sidewall and is a perfect complement to other Carefree products.*
- *The awnings are made with heavy duty construction.*
- *The Latitude is uses Carefree's Direct Response™ system.*


Table of Contents


Operation	3
Emergency Override	3
Awning Care	4
Fabric Care.....	4
Mildew	4
Pooling	4
Leaking.....	4
Pitch Adjustment	5
Carefree Major Product Limited Warranty.....	6

WARNINGS

 **AWNINGS ARE DESIGNED TO PROVIDE SHADE AND PROTECTION FROM THE SUN. THE EFFECTS OF WIND AND RAIN ON AN AWNING ARE UNPREDICTABLE AND CAN CAUSE SEVERE DAMAGE TO THE AWNING AND/OR THE VEHICLE. IF WIND OR EXTENDED PERIODS OF RAIN ARE EXPECTED, RETRACT THE AWNING AND SECURE.**

 **KEEP ALL SOURCES OF HEAT AND FLAME AWAY FROM THE AWNING CANOPY. FABRIC IS NOT FIREPROOF AND CAN BURN IF LEFT IN CONTACT WITH ANY FLAME OR HEAT SOURCE.**

 **CAUTION** It is recommended that if leaving the vehicle unattended for a length of time, retract the awning to avoid unexpected climate conditions.

 **CAUTION** The Latitude awning is a free-standing (self-supporting) lightweight awning with auto retract. Do not hang items from the awning or use tie down devices. Use of such objects can cause serious damage to the awning that is not covered by warranty.

OPERATION

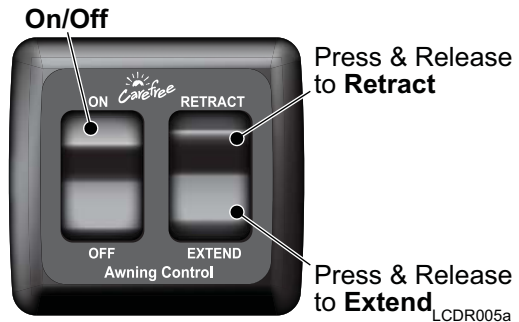
The *Direct Response*[™] system detects awning motion caused by windy conditions. The sensor is located in the lead rail.

The system operates by gauging the motion of the awning's front edge. When the motion exceeds the factory preset threshold value the system automatically retracts the awning.

Gust detection is incorporated into the software. When the motion value suddenly and sharply increases above a safe maximum value, the awning closes immediately.

To Operate the Awning:

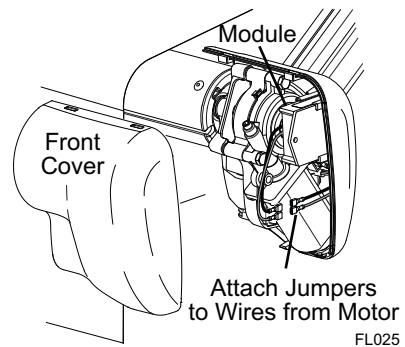
- Press the power switch to ON. When power is on, the Direct Response system is active and the manual controls are active. When power is OFF, all functions are disabled.
- To OPEN: Press and release the extend switch. The awning will open completely. To interrupt the awning retraction, press and release the extend switch.
- To CLOSE: Press and release the retract switch. The awning will close completely. To interrupt the awning retraction, press and release the retract switch.
- When the awning is in the retracted (rolled up) position, shut off the power switch to avoid accidentally extending the awning.



EMERGENCY OVERRIDE

If power to the vehicle is not available, the awning can be safely retracted by jumping the motor using a 10V-14V power source such as a cordless drill battery or car battery.

1. Remove the front cover. The cover snaps onto the rear cover. To remove, press the bottom of the rear cover until the front cover releases then lift the front cover off.
2. Detach the RED and BLACK wires from the module to the motor.
3. Attach jumper wires to the motor wires.
4. Connect the other ends of the jumper leads to a 12-14V source. If the awning moves in the wrong direction, reverse the leads. Maintain contact throughout the retraction process.
5. When the awning is closed, remove the jumper wires and reattach the module wires to the motor wires. Be sure to match the wire colors.
6. Snap the front cover onto the rear cover. Hang the cover on the top and swing down until it clicks.



AWNING CARE

Maintaining a Carefree Awning is easy. Just follow these basic steps:

- Always operate the awning according to the instructions.
- Periodically check that the fasteners are tight. Tighten if necessary.
- Keep the awning fabric and arms clean.

FABRIC CARE

⚠ CAUTION Do not use oil based cleaners or any caustic, granulated, or abrasive type cleaners on your Carefree product.

1. One of the best ways to keep the fabric looking good and to delay the need for deep or vigorous cleanings is to hose fabrics off on a monthly basis with clear water. This practice will help prevent dirt from becoming deeply imbedded in the fabric. In most environments, a thorough cleaning will be needed every two to three years.
2. When it's time for a thorough cleaning, the fabric can be cleaned while still on the awning frame.
 - For Vinyl Fabric – Use a soft brush and warm water with soap.
 - For Acrylic Fabric – Use a stiff brush and warm water with soap.
3. When cleaning the fabric, it is important to observe the following:
 - Always use a natural soap, never detergent.
 - Water should be cold to lukewarm, never more than 100°F.
 - Air-dry only. Never apply heat to the fabric.
 - Always allow the fabric to dry thoroughly before rolling up the awning.

MILDEW

Mildew is a fungus growth that looks like dirt. Vinyl coated polyester fabrics are mildew resistant because of a chemical biocide in the vinyl coating. Under ordinary conditions, mildew will not appear. However, in areas where high temperature and humidity are common, mildew can be a problem and require the material to be washed more frequently.

POOLING

When water collects on the top of the fabric, this is known as "pooling". This can occur during inclement weather or if a running air conditioner discharges over the awning. The water is dumped when the awning is retracted. It is recommended that if water accumulates; retract the awning in steps (8"-12") to dump the water. This will help prevent the fabric from stretching or distorting.

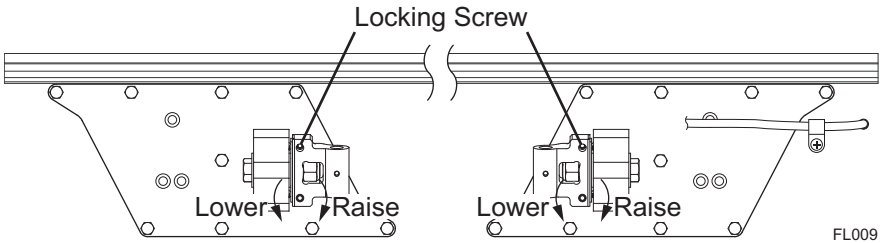
LEAKING

On vinyl canopies, side hems and poly cords are stitched in with a sewing machine. On occasion, this stitching may allow water to seep or leak through the stitches. This is normal and not a defect covered by warranty. Treat the seams with a quality seam sealer.

PITCH ADJUSTMENT

The pitch for Latitude can be adjusted to optimize the awning performance.

It is strongly recommended that adjustments be made in small increments to achieve the desired setting.



This procedure works best with 2 people. One person to lift the roller tube to relieve the weight and one person to make the adjustments.

1. Open the awning.
2. Loosen the locking screw at the top of the knuckle.
3. To raise the pitch: Turn the lower adjustment screw clockwise.
4. To lower the pitch: Turn the lower adjustment screw counterclockwise.
5. Tighten the locking screws when the desired pitch is achieved.

CAREFREE MAJOR PRODUCT LIMITED WARRANTY

Carefree of Colorado (hereafter referred to as Carefree) warrants to the first retail Purchaser that the Carefree Product is free of defects in material and workmanship within the terms and conditions as set forth in the warranty statement available online at www.carefreeofcolorado.com. Carefree's obligation under this warranty is limited to the repair or replacement, at Carefree's option, of any defective component with new or factory refurbished components.

OWNER MUST RETAIN THE ORIGINAL PROOF OF PURCHASE AND/OR HAVE THE PRODUCT WARRANTY REGISTRATION ON FILE AT CAREFREE FOR WARRANTY CLAIMS.

THIS WARRANTY IS NOT TRANSFERABLE.

For

- **Warranty Duration;**
- **Warranty Coverage and Exclusions;**
- **Warranty Terms of Coverage; and,**
- **Warranty Claim Procedures**

Refer to publication
052580-111 "Carefree Major Product Limited Warranty"
available online at

www.carefreeofcolorado.com

Register your Carefree products on-line at:

www.carefreeofcolorado.com

Publications available on-line @ www.carefreeofcolorado.com:

070005-001 Latitude Installation Manual

070005-201 Latitude Owner's Manual

IMPORTANT NOTICE: It is strongly recommended that adjustments and repairs not described in this book be performed by trained technicians at your Authorized Carefree Dealer. Work performed by non-authorized persons or businesses may void warranty.

