



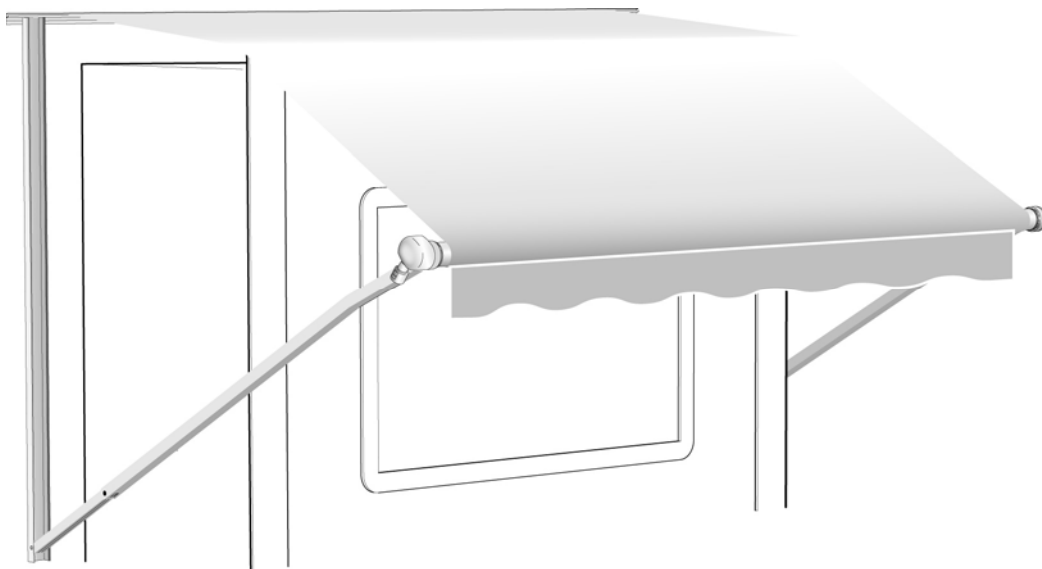
RV

CAREFREE

# GUARDI-AWN

**INDEPENDENT SLIDE-OUT ROOM COVER AND AWNING**

## *Installation and Operation*



# TABLE OF CONTENTS

<b>Introduction</b> .....	<b>1</b>
Product Overview .....	1
Product Specifications .....	1
Component Checklist.....	2
<b>Installation</b> .....	<b>3</b>
Installing an awning rail (if required) .....	3
Attaching the Arms and Roll Bar.....	3
Mounting the Awning .....	3
Attaching the Wing Tips.....	4
Attaching the Tie-Down Strap Catches.....	4
Securing the Canopy .....	4
<b>Operation</b> .....	<b>5</b>
Fabric Care .....	5
<b>Limited Warranty</b> .....	<b>6</b>

## SAFETY INFORMATION

### **WARNING**

A WARNING INDICATES A POTENTIALLY HAZARDOUS SITUATION WHICH , IF NOT AVOIDED, COULD RESULT IN DEATH OR SERIOUS INJURY AND/OR MAJOR PROPERTY DAMAGE.

### **CAUTION**

A CAUTION INDICATES A POTENTIALLY HAZARDOUS SITUATION THAT MAY CAUSE MINOR TO MODERATE PERSONAL INJURY AND/OR PROPERTY DAMAGE. IT MAY ALSO BE USED TO ALERT AGAINST UNSAFE PRACTICES.

**NOTE:** A note indicates further information about a product, part, or step.

*Tip:* A tip provides helpful suggestions.

#### Safety Notes:

- Always disconnect battery or power source before working on or around the electrical system.
- Always wear appropriate safety equipment (i.e. goggles).
- Always use appropriate lifting devices and/or helpers when lifting or holding heavy objects.
- When using fasteners, use care to not over tighten. Soft materials such as fiberglass and aluminum can be "stripped out" and lose the ability to grip.

# INTRODUCTION

## PRODUCT OVERVIEW

Carefree's Guardi-Awn is the only slide-out cover and window combination that operates independently of the slide-out room. The awning is operated by an easy to use hand crank. During transport, the awning arms securely lock into the closed position.

### Product Specifications

- **Available Widths:** 6 foot to 17 foot, in 6 inch increments.
- **Standard Extension:** 38 inches - will fit room extensions 18 inches to 38 inches.
- **Maximum Fabric Extension:** 68".  
(Room extension + awning)
- **Fabrics Available:** Vinyl, polyweave, fullview and acrylic (requires Alumaguard).
- Available with vinyl weatherguard or Alumaguard (used with acrylic fabric).

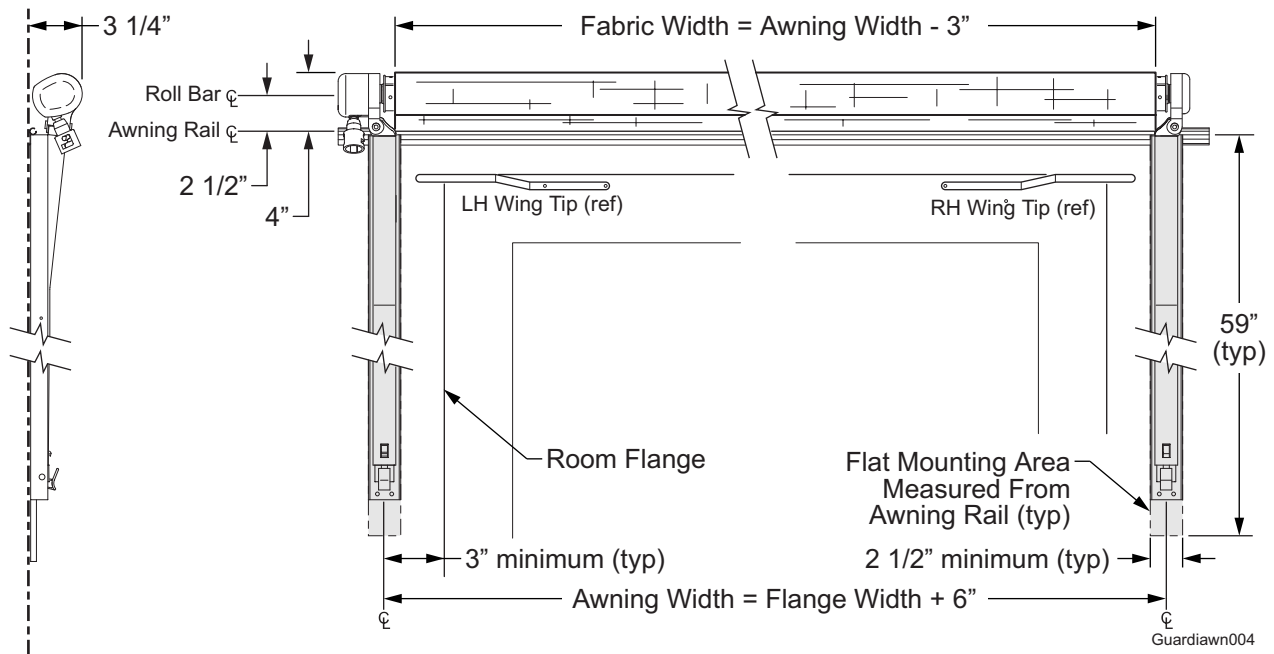
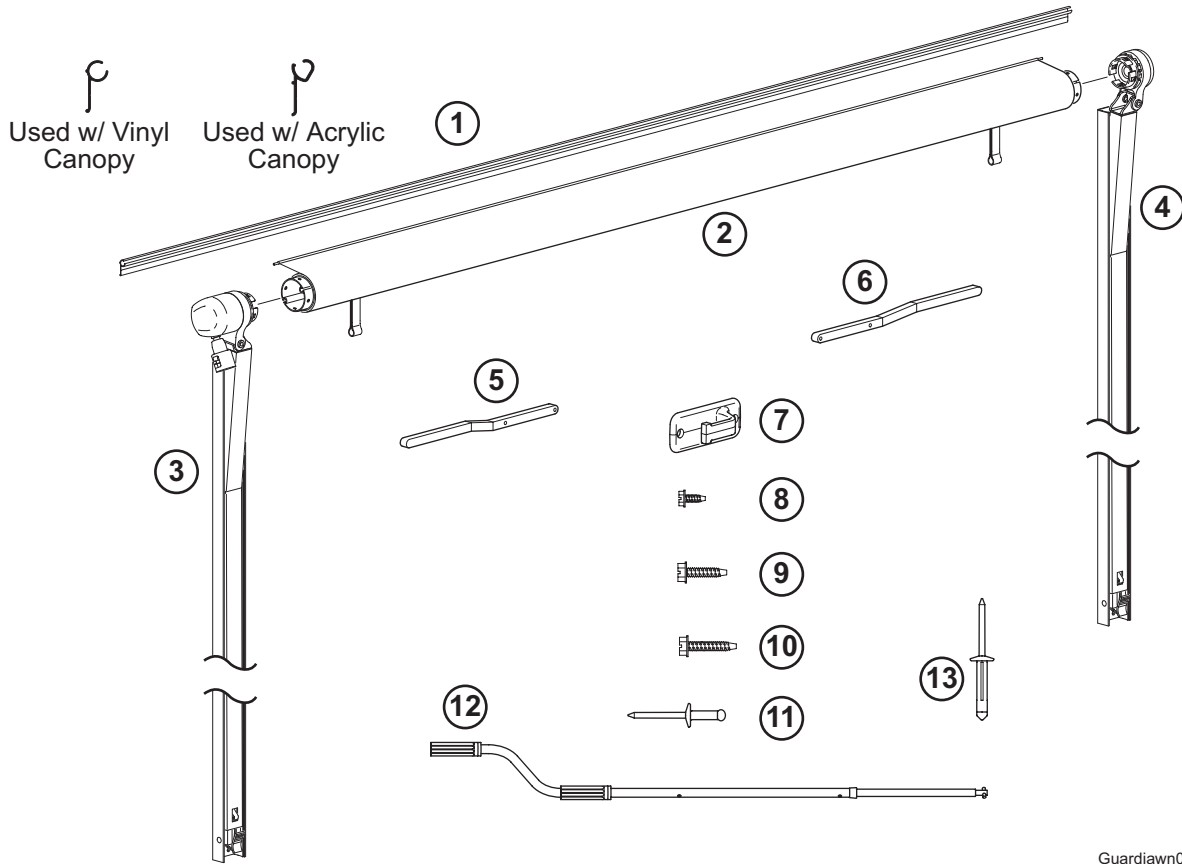


Figure 1. General Layout.

COMPONENT CHECKLIST



Guardiawn006

<input checked="" type="checkbox"/>	ITEM	DESCRIPTION		QTY	NOTE
<b>BASIC COVER ASSEMBLY</b>					
<input type="checkbox"/>	1	Awning Rail		1	1
<input type="checkbox"/>	2	Roll Bar Assy		1	2, 3
<input type="checkbox"/>	3	Arm Assy, LH, Complete w/ Mounting Rail		1	2
<input type="checkbox"/>	4	Arm Assy, RH, Complete w/ Mounting Rail		1	2
<input type="checkbox"/>	5	Wing Tip, LH		1	
<input type="checkbox"/>	6	Wing Tip, RH		1	
<input type="checkbox"/>	7	Catch, Strap Tie-Down		2	
<input type="checkbox"/>	8	Screw, Hex Head	#6 x 3/8	2	
<input type="checkbox"/>	9	Screw, Hex Head	#10 x 3/4	50	
<input type="checkbox"/>	10	Screw, Hex Head	#10 x 1	4	
<input type="checkbox"/>	11	Pop Rivet	3/16	8	
<input type="checkbox"/>	12	Crank Handle		1	
<input type="checkbox"/>	13	Molly Rivet		-	4

- NOTES:
1. Awning rail style is dependent on fabric type of canopy.
  2. Use the original order to confirm size, fabric type and color.
  3. Roll bar is complete with canopy and tie-down straps.
  4. Molly Rivets are not furnished with awning. These may be ordered separately for hollow wall installations, contact Carefree.

## INSTALLATION

### INSTALLING AN AWNING RAIL (IF REQUIRED)

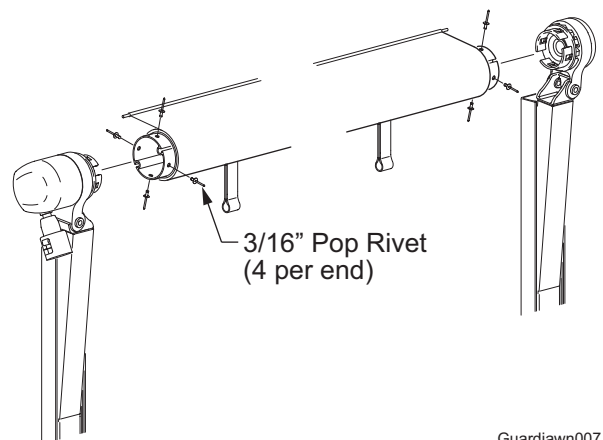
1. Position the center line of the awning rail within 1" – 1 1/2" above the flange of the slide-out. For acrylic fabric, minimum distance is 2 1/2". Awning rail must be level.
2. After determining mounting position, mark the position with a chalk line.
3. Seal the back of the rail with silicone sealant or putty tape.
4. Orient with the slot of the rail pointing up. Align the awning rail onto the wall.

**NOTE: For acrylic applications the slot MUST be pointing up. For vinyl applications the slot can be pointed down if using an existing awning rail.**

5. Secure with #10 x 3/4" screws. Use all the attachment holes in the rail.
6. Use a screwdriver to spread open the left end of the awning rail on the installation side.
7. File any sharp edges or burrs from the end of the rail. This will help protect the awning fabric from damage during installation.
8. Spray inside the awning rail track with silicone lubricant.

### ATTACHING THE ARMS AND ROLL BAR

1. Slide the end cap of the left arm assembly into the left end of the roll bar. Pay particular attention to the orientation of the roll bar, fabric and arm as shown.
2. Align the holes in the roll bar with the holes in the end cap.
3. Attach the roll bar to the end cap using four (4) 3/16" pop rivets.
4. Repeat for the other side.



Guardiawn007

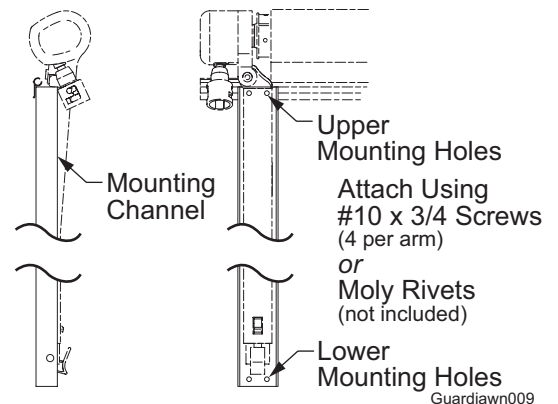
Figure 2. Attaching the Roll Bar and Arms.

### MOUNTING THE AWNING

The following procedure requires a minimum of three people.

1. Unroll a maximum of one wrap of the canopy.
2. With one person holding each arm, the third person should thread the polyrod or Alumaguard edge into the awning rail. Carefully move across the vehicle, gently pulling the fabric into the rail until the canopy is centered over the room and the arms are evenly spaced outside the room flange.
3. Remove the backing paper from the double sided tape on the back of the mounting channels.
4. Position the arm on the wall. Ensure that the channel is perpendicular to the awning rail. The top of the channel should be butted up against the bottom of the awning rail protrusion as shown.
5. Firmly press the arms against the coach. The double sided tape will temporarily hold the arm in position while completing the installation.
6. Attach the both arms using two each #10 x 3/4 screws through the bottom holes of the mounting channels.

**NOTE: The arms may be attached using 3/16" moly rivets available from Carefree. Do not attempt to use standard pop rivets. If using moly rivets, it is necessary to drill a 7/32" pilot hole.**



Guardiawn009

Figure 3. Attaching the Assembly.

7. Using the crank handle, turn the crank 1/2 turn to the right, press in the black release tabs and continue to open the awning until there is adequate room to access the mounting holes in the top of the mounting channels.
8. Secure the top of the channels using two each #10 x 3/4 screws through the top horizontal holes of the channels. See note under step 6 about using moly rivets.

### ATTACHING THE WING TIPS

1. Position the wing tips on the face of the slide out room as shown flush with the top of the flange.
2. Attach using two each #10 x 1 screws.
3. If the attaching screws project through the back of the flange, it will be necessary to cut off the screws flush with the flange to prevent damage to the seal or coach wall.

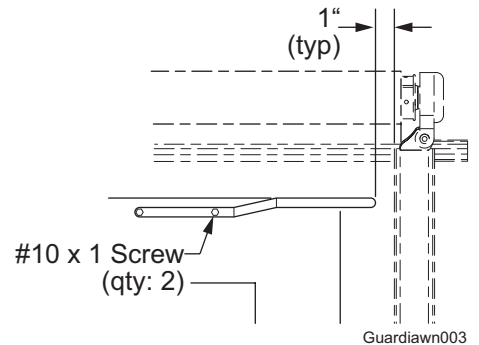


Figure 4. Attaching the Wing Tips.

### ATTACHING THE TIE-DOWN STRAP CATCHES

1. Extend the room out completely.
2. Extend the awning out completely.
3. Place the loop of the tie-down strap on the catch.
4. Hold the strap in tension and position the catch on the wall of the room.
5. Mark the location of the mounting holes.
6. Mount the catch on the room face using two each #10 x 3/4 screws.
7. Repeat for second strap.

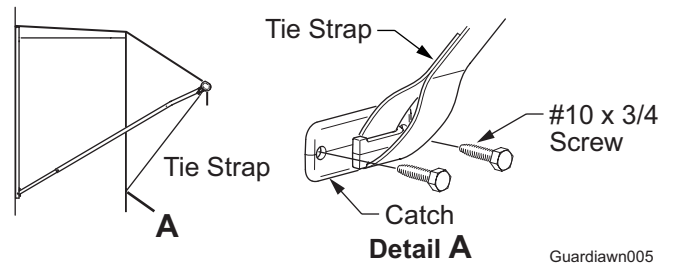


Figure 5. Attaching Strap Catch.

### SECURING THE CANOPY

1. Close the awning and room completely.
2. Check fabric is rolling up straight.
3. (Refer to Figure 6) Secure the canopy fabric or Alumaguard using one, #6 x 3/8" hex head screw at each side of the awning.

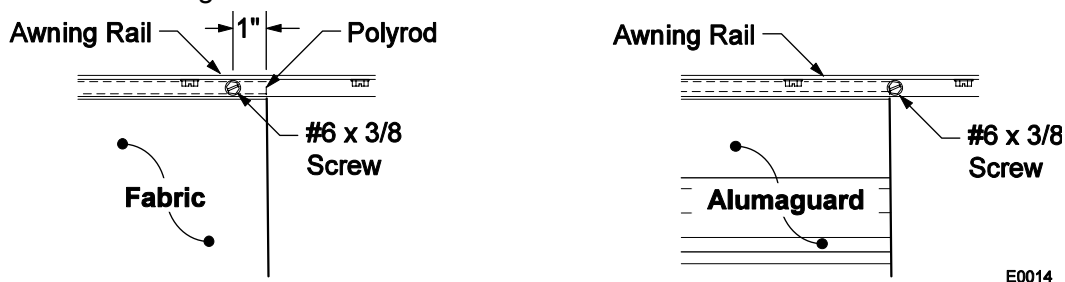


Figure 6. Securing the Fabric.

- 2.1 For vinyl (non Alumaguard) awnings, place screw through awning rail, polyrod and canopy approximately 1" in from the end of the fabric. .
- 2.2 For Alumaguard awnings, place screw on the outer edge of the Alumaguard (not through the Alumaguard).

## OPERATION

### To Open:

1. Extend the slide out room completely.

### ⚠ CAUTION

**ALWAYS EXTEND THE ROOM FIRST. THE AWNING CAN BE DAMAGED IF THE ROOM IS EXTENDED AFTER THE AWNING.**

2. Insert the crank handle into the bayonet joint located on the left side of the awning.
3. Turn the crank 1/2 turn to right.
4. Press in the black lock releases located on the bottom of BOTH arms.
5. Continue to turn the crank to the right until the awning is fully extended. The awning will first extend upward then out.
6. Hook the tie-down straps to the catches on the room wall.

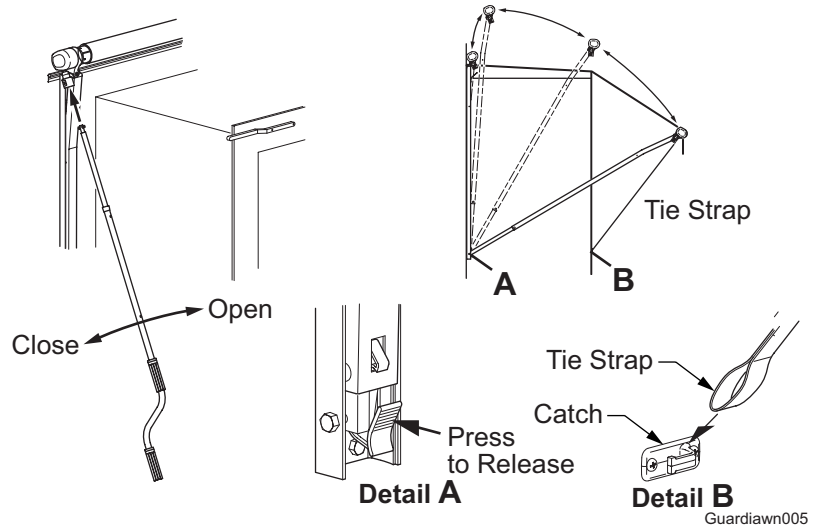


Figure 7. Operating the Guardi-Awn.

**NOTE: The crank handle length may be adjusted by pressing in on the spring loaded button then moving the upper section in or out to the next button stop.**

### To Close

1. Release the tie-straps.
2. Using the crank handle, roll up the canopy tight against the coach and the bottom locks at the bottom of the arms are fully engaged.
3. Store the crank and close the slide out room.

## FABRIC CARE

### ⚠ CAUTION

**DO NOT USE OIL BASED CLEANERS OR ANY CAUSTIC, GRANULATED, OR ABRASIVE TYPE CLEANERS ON YOUR CAREFREE PRODUCT.**

1. One of the best ways to keep the fabric looking good and to delay the need for deep or vigorous cleanings is to hose fabrics off on a monthly basis with clear water. This practice will help prevent dirt from becoming deeply imbedded in the fabric. In most environments, a thorough cleaning will be needed every two to three years.
2. When it's time for a thorough cleaning, the fabric can be cleaned while still mounted.
  - For Vinyl Fabric – Use a soft brush and warm water with soap.
  - For Acrylic Fabric – Use a stiff brush and warm water with soap.
3. When cleaning the fabric, it is important to observe the following:
  - Always use a natural soap. Never detergent.
  - Water should be cold to lukewarm. Never more than 100 degrees.
  - Air-dry only. Never apply heat to the fabric.
  - Always allow the fabric to dry completely before rolling up the fabric.

### *Mildew*

Mildew is a fungus growth that looks like dirt. Vinyl coated polyester fabrics are mildew resistant because of a chemical biocide in the vinyl coating. Under ordinary conditions, mildew will not appear. However, in areas where high temperature and humidity are common, mildew can be a problem and require the material to be washed more frequently. THOROUGHLY rinse the fabric with clean water and allow to air dry completely before rolling up the fabric.

# LIMITED WARRANTY

Carefree of Colorado (hereafter referred to as Carefree) warrants to the FIRST retail Purchaser that the Guardi-Awn is free of defects in material and workmanship within the terms and conditions as set forth below. Carefree's obligation under this warranty is limited to the repair or replacement, at Carefree's option, of any defective component within the stated warranty period. THIS WARRANTY IS NOT TRANSFERABLE.

**1. DURATION**

- a) 2 years on parts, labor and freight on parts labor and freight on canopy.
- b) 4 years on parts, labor and freight on springs, rollers and hardware.

Warranty duration is not extended by the length of time the product is not in use or the time which the purchaser is deprived the use of the product. The duration of coverage is determined by the date of the original product purchase, not the date of repairs.

**2. WHAT IS COVERED UNDER THIS WARRANTY**

Defects in the manufacturer's material and workmanship of product under normal use, and which occur within the duration of the warranty period. The following components are covered only as listed:

- a) *Fabrics* – Free from quality defects (normal wear and fading are excluded). Cracking, peeling, hardening, sagging or loss of strength provided that the damage is not the result of high winds or water pooling.
- b) *Roller tube & Hardware* – Free from extrusion defects.
- c) *Springs* – Defects.

**3. WHAT IS NOT COVERED UNDER THIS WARRANTY**

- a) Fabric damage such as pinholes or tears not reported within ten (10) calendar days of purchase.
- b) Improper installation and/or any damage or failure that results from improper installation of the product, including fabric damage caused by improper installation.
- c) Normal wear including the occasional need to re-tension the awning.
- d) Conditions that are not related to the material or workmanship of the product: including any failure that results from an accident, wind, rain, water pooling, or other acts of God.
- e) Purchaser's abuse, including but not limited to neglect; failure to operate, use or maintain the product in accordance with the instructions provided with the product.
- f) Any component not sold or manufactured by Carefree.
- g) Any failure that results from the use of another manufacturer's product with a Carefree product that is not specifically approved by Carefree.
- h) Any incidental, indirect, or consequential loss, damage, or expense that may result from any defect, failure, or malfunction of the Carefree product.
- i) The removal or alteration of any product component or device. In the event of such removal or alteration, this warranty is void.
- j) Any expense related to delivery or pick-up of product to/from the service dealer.

**4. RESPONSIBILITIES OF THE PURCHASER**

IN ORDER FOR THE WARRANTY TO BE HONORED, THE PURCHASER MUST HAVE PROOF OF PURCHASE: THE ORIGINAL RECEIPT OR THE WARRANTY CARD ON FILE AT CAREFREE OF COLORADO. FAILURE TO PROVIDE THE REQUIRED DOCUMENTATION MAY DELAY OR VOID ANY WARRANTY CLAIM.

- a) Retain dated proof of purchase for specified product, and provide it as requested.
- b) Inspect the awning upon purchase to confirm the condition of the canopy, hardware and proper operation of the product.
- c) Perform "Periodic Maintenance" as specified in Owners Manual.
- d) Use reasonable care in maintenance, operation, use and storage of the product in accordance with the instructions contained in the owner's manual.

**5. WARRANTY CLAIM PROCEDURE**

- a) Deliver any product claimed or found defective during warranty period to a Carefree of Colorado Authorized Service Dealer. Visit [www.carefreeofcolorado.com](http://www.carefreeofcolorado.com) for the name of nearest Authorized Service Dealer, or call Carefree at the phone number shown.
- b) Customer shall schedule a time with an Authorized Service Dealer. Repair or replacement will be scheduled and performed at the Authorized Service Dealer according to normal work flow and availability of replacement parts.
- c) *Work must be performed by a Carefree authorized service center.* When warranty work/repair is performed by an authorized service agent, the agent is responsible for directly billing Carefree of Colorado for warranted parts and labor.
- d) Carefree shall pay the respective servicing dealer or agent for performing any repairs authorized by Carefree as per the terms of this warranty. Company will allow for freight and labor charges - labor is based on Flat Rate Form.
- e) All warranty claims shall be paid through the servicing agent. Carefree does not provide reimbursement for warranty claims paid for by the customer.
- f) The customer shall pay only those costs not covered by warranty. The customer shall have no out-of-pocket expenses except as stated.
- g) The Original Purchaser is responsible for any expenses related to delivery or pick up of product to/from the Service Dealer.
- h) If the Purchaser does not receive satisfactory results from the Authorized Service Dealer, the Purchaser should contact the Carefree of Colorado Customer Care Department within 10 days after completion of the questionable service.

**THIS WARRANTY GIVES THE OWNER SPECIFIC LEGAL RIGHTS. THE LAWS OF CERTAIN JURISDICTIONS MAY GRANT THE OWNER ADDITIONAL RIGHTS AND PRIVILEGES.** Except as set forth above, Carefree makes no warranty, whether statutory or otherwise, including without limitation, any warranty of merchantability or fitness for a particular purpose. Carefree shall have no liability except to repair, replace or adjust defective products and parts. Carefree specifically excludes any liability, whether in contract, tort or otherwise, for personal injury, property damage, economic or consequential losses. Carefree has not authorized any person or company to alter the terms of this warranty.

It is Carefree of Colorado's policy and practice to continuously improve the company's products and services. Therefore, Carefree reserves the right to make changes in design and components, without notice, whenever it is believed the quality of the product will be improved, but without incurring any obligation to incorporate such improvements in any product which has been shipped or in service.

**DATE PURCHASED:** \_\_\_\_\_

**DEALER/INSTALLER:**

NAME: \_\_\_\_\_

ADDRESS: \_\_\_\_\_

\_\_\_\_\_

\_\_\_\_\_

PHONE: \_\_\_\_\_

**PRODUCT NAME/DESCRIPTION:** \_\_\_\_\_

**SERIAL NUMBER:** \_\_\_\_\_

**FABRIC/COLOR:** \_\_\_\_\_