



Residential

CAREFREE

SUNDAY II PATIO AWNING

MANUAL AND 110V MOTORIZED

Installation and Operation Manual

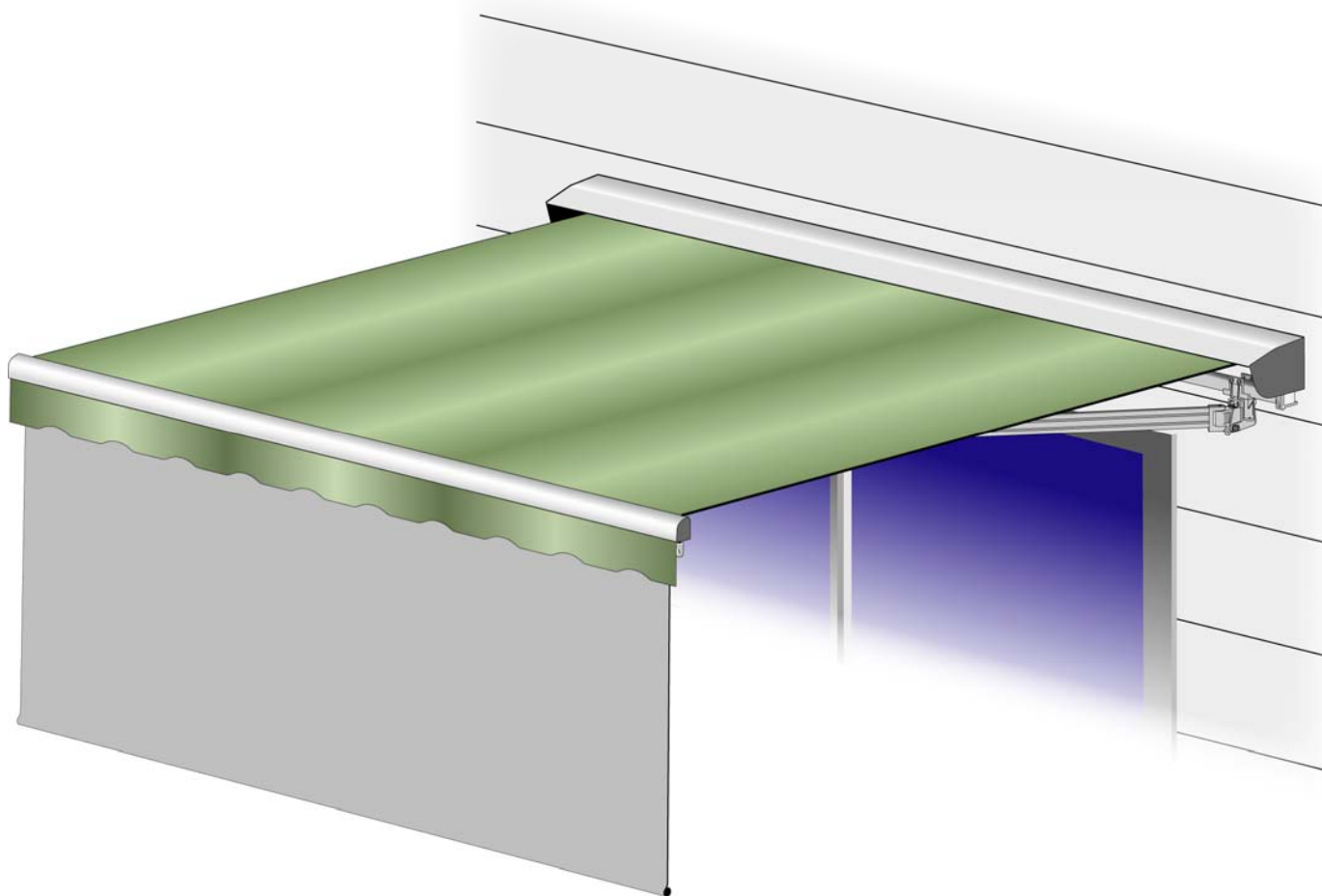


TABLE OF CONTENTS

Introduction	1
Product Overview	1
SunDay Patio Awning Specifications:.....	1
Component Checklist.....	2
Installation	4
Pre-Installation Layout and Preparation	4
Mounting the Awning Brackets	5
Using the Optional Roof Mount Brackets	6
Mounting the Awning	6
Attaching the Optional Cover	7
Wiring	8
Single Switch Installation	8
Power Control System	9
Control Box Installation	9
Wireless Switch Installation	10
Programming a Transmitter	10
Mounting the Optional Anemometer	11
Testing the System.....	12
Operation	13
Switch Operation – Standard Hardwire Installation	13
Using the Wireless Interior Switch	13
Using the Remote Control	14
Wind-Sense Auto Retract	14
Setting the Wind Speed Sensitivity.....	14
Manual Operation	15
Awning.....	15
Drop Down Shade	15
Setting the Pitch.....	15
Adjusting the Arm Sag	15
Maintenance	16
Cleaning	16
Mildew	16
Setting the Limit Switches.....	16
Adjusting the “OUT” Limit Switch	16
Adjusting the “IN” Limit Switch	16
Limited Warranty	17

SAFETY INFORMATION

WARNING

A WARNING INDICATES A POTENTIALLY HAZARDOUS SITUATION WHICH , IF NOT AVOIDED, COULD RESULT IN DEATH OR SERIOUS INJURY AND/OR MAJOR PROPERTY DAMAGE.

CAUTION

A CAUTION INDICATES A POTENTIALLY HAZARDOUS SITUATION THAT MAY CAUSE MINOR TO MODERATE PERSONAL INJURY AND/OR PROPERTY DAMAGE. IT MAY ALSO BE USED TO ALERT AGAINST UNSAFE PRACTICES.

NOTE: A note indicates further information about a product, part, or step.

Safety Notes:

- Always disconnect power source before working on or around the electrical system.
- Always wear appropriate safety equipment (i.e. goggles).
- Always use appropriate lifting devices and/or helpers when lifting or holding heavy objects.

INTRODUCTION

PRODUCT OVERVIEW

The Carefree Sunday II Lateral Arm Awning is a sure and economical way to provide shade to a deck or patio. The awning design incorporates many positive design features:

- Lateral arm design supports the canopy without vertical supports;
- Fabric tension is maintained at any extended position – full or partial;
- Virtually maintenance free;
- No seasonal takedown;
- Standard 10 foot extension;
- Roll-down shade from lead rail to provide addition shade and privacy;
- Available in Manual or 110V motorized versions.

Options:

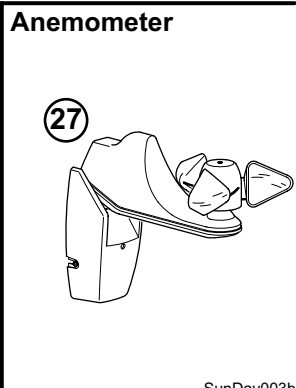
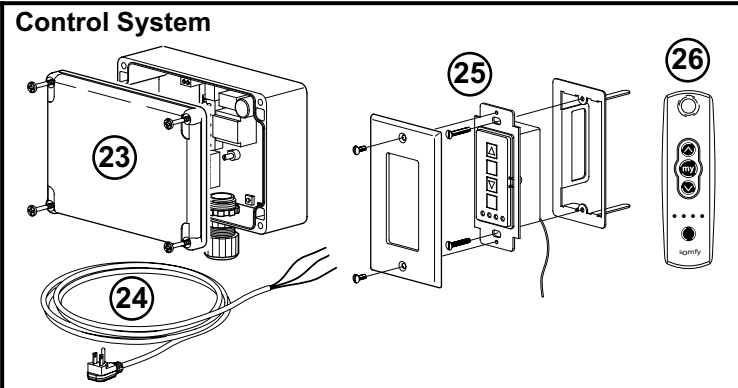
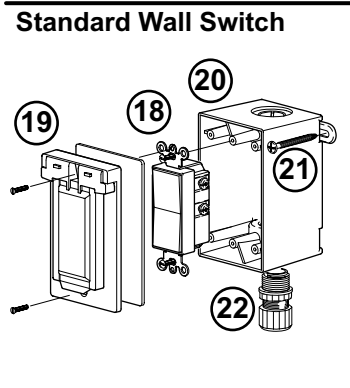
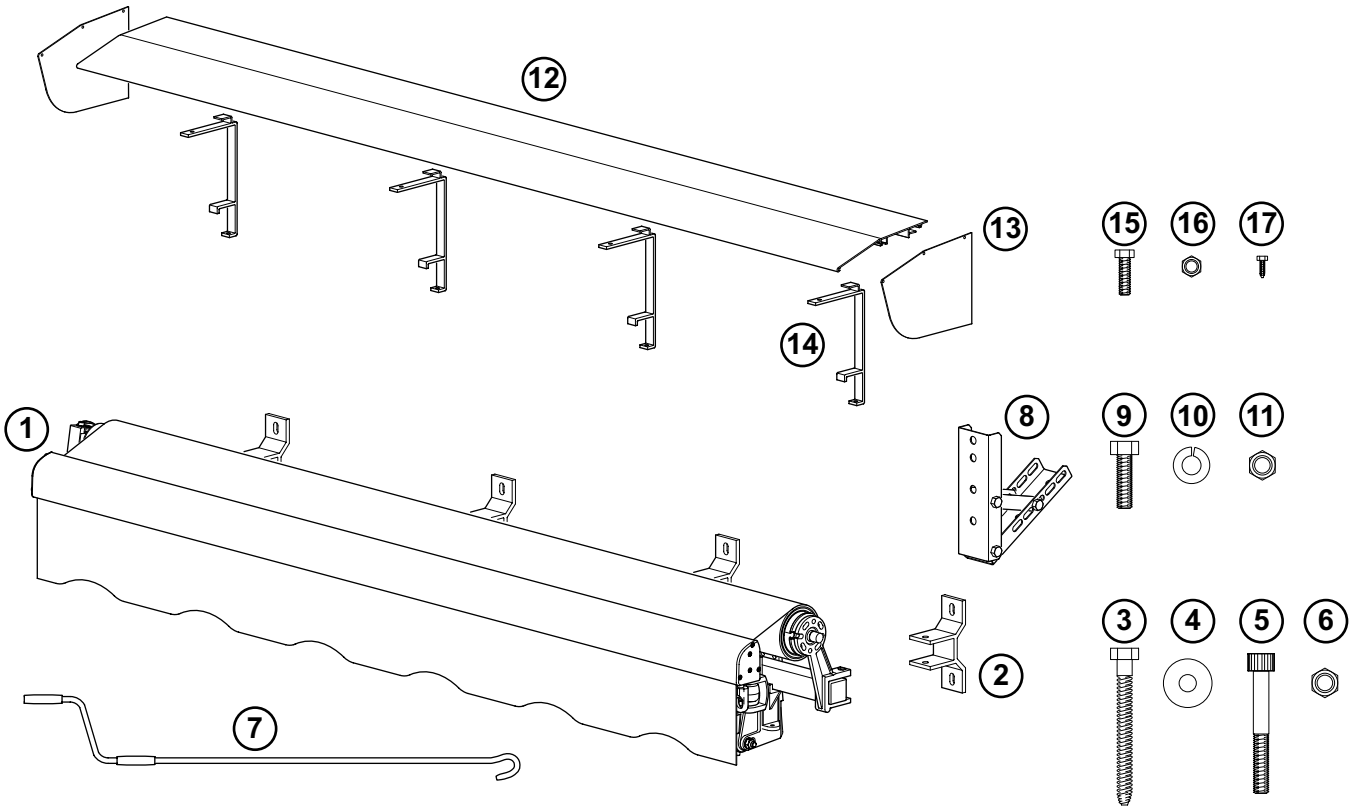
- Available in LH or RH motor configurations;
- Can be mounted under eaves or on roof (requires optional brackets)
- Protective hood;
- 12 foot extension (available on 7' or longer)
- For 110V motorized awnings, two control systems are available: a single hard wired wall switch or the power control system. The hard wired wall switch provides basic operation.

The power control system provides the home owner several options that are not available with the standard hard wired installation. These options include hand held remote controls; wireless wall switches for interior installation and the wind-sense auto retract for protection against adverse wind conditions. The power control system can also be programmed so that up to a maximum of 4 awnings can be controlled by a single transmitter

SunDay Patio Awning Specifications:

<i>Awning Extension:</i>	10' standard	12' optional on 7' or longer
<i>Awning Length:</i>	6' - 19' 3" in 1 inch increments	
<i>Drop Shade Extension:</i>	72" (with Textilene Fabric)	46" (with Acrylic Fabric)
<i>Drop @ Min. Pitch:</i>	approximately 12 inches	approximately 13.5 inches
<i>Drop @ Max Pitch:</i>	approximately 40 inches	approximately 45 inches
<i>Extend Actuation:</i>	Spring Loaded	
<i>Retract Actuation:</i>	Manual Crank or Motorized roll up	
<i>Position Control:</i>	Manual Crank or Motorized roll out/in	
<i>Power Requirements:</i>	110VAC	
<i>Circuit Rating:</i>	20 amp	
<i>Emergency Retract:</i>	Manual Crank	

COMPONENT CHECKLIST



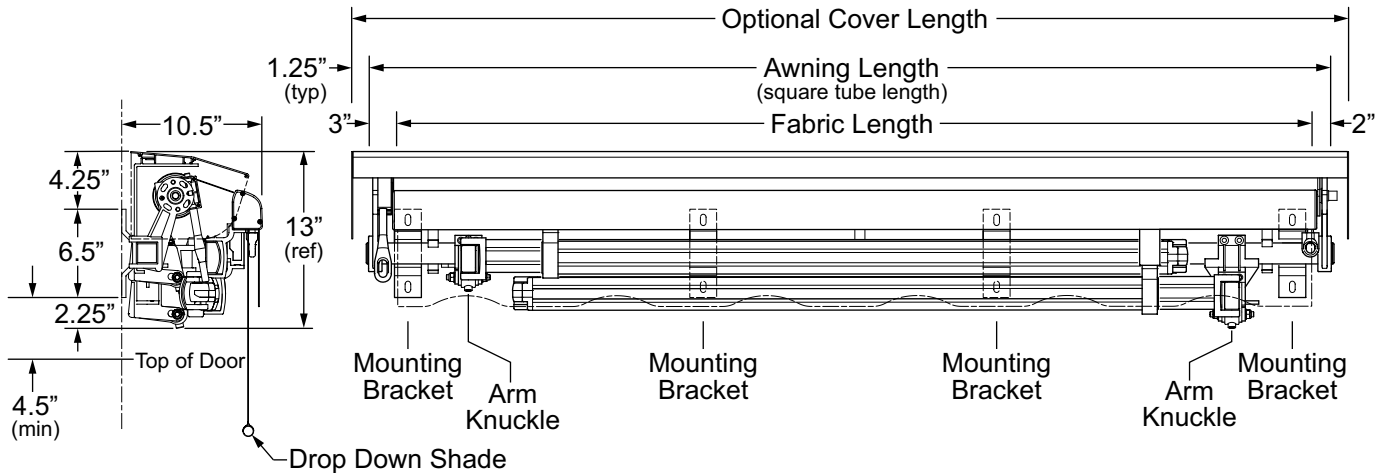
SunDay003b

<input checked="" type="checkbox"/>	ITEM	DESCRIPTION	QTY	NOTE
AWNING ASSEMBLY				
<input type="checkbox"/>	1	Awning Assy, Complete	1	
<input type="checkbox"/>	2	Bracket, Mounting	4	
<input type="checkbox"/>	3	Screw, Lag	3/8 x 3	8
<input type="checkbox"/>	4	Washer, Flat, 1" O.D.	7/16	8
<input type="checkbox"/>	5	Screw, SHC	M8-1.25 x 60mm	4
<input type="checkbox"/>	6	Lock Nut	M8-1.25	4
<input type="checkbox"/>	7	Crank		1
ROOF MOUNT BRACKETS				OPTIONAL
<input type="checkbox"/>	8	Bracket Assy, Complete	4	4
<input type="checkbox"/>	9	Screw, HHCS	3/8-16 x 1	2 5
<input type="checkbox"/>	10	Lock Washer	3/8	2 5
<input type="checkbox"/>	11	Nut	3/8-16	2 5
COVER				OPTIONAL
<input type="checkbox"/>	12	Cover	1	
<input type="checkbox"/>	13	End Cap	2	
<input type="checkbox"/>	14	Bracket, Cover Mount	4	
<input type="checkbox"/>	15	Screw	5/16-18 x 3/4	8
<input type="checkbox"/>	16	Nut	5/16-18	4
<input type="checkbox"/>	17	Screw, HWH	#8 x 1/2	6
STANDARD SWITCH (HARDWIRED)				
<input type="checkbox"/>	18	Switch, Wall	1	
<input type="checkbox"/>	19	Switch Cover	1	
<input type="checkbox"/>	20	Junction Box	1	
<input type="checkbox"/>	21	Screw	#8 x 2	2
<input type="checkbox"/>	22	Strain Relief Connector	1	
POWER CONTROL SYSTEM				OPTIONAL
<input type="checkbox"/>	23	Control Box Assy	1	
<input type="checkbox"/>	24	AC Power Cord w/ Wall Connector	1	
<input type="checkbox"/>	25	Wireless Wall Switch	1	2, 3
<input type="checkbox"/>	26	Hand Held Remote	1	3
<input type="checkbox"/>	27	Anemometer Assy (includes cable and attaching hardware)	1	

- NOTES:
1. Specific awning configuration is specified at time of order, including awning length, LH or RH configuration, fabric etc. Check awning assembly and electronics against original purchase order.
 2. Mounting bracket, switch plate and screws are included with switch.
 3. Wall Switch (item 18) and Remote (item 19) are available as a single channel or multiple channel transmitter.
 4. Roof Top Bracket Assy (item 7) includes vertical plate, horizontal plate, 2 straps and assembly hardware. Bracket may be shipped unassembled.
 5. Items 9, 10, and 11 are furnished to attach mounting bracket (item 2) to Roof Top Bracket. Quantities are per roof top bracket.

INSTALLATION

PRE-INSTALLATION LAYOUT AND PREPARATION



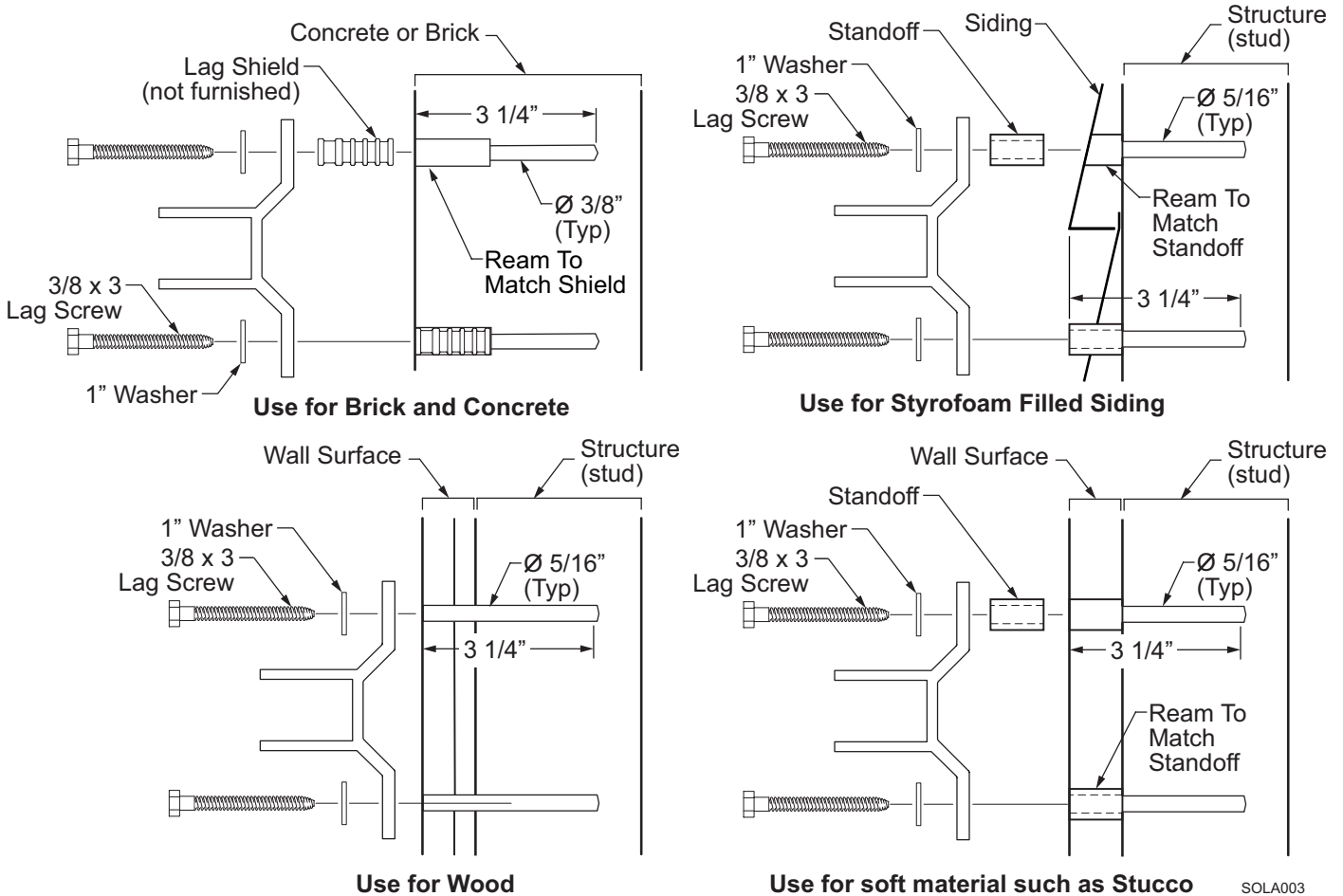
Sunday020

Figure 1. Awning Layout w/ Optional Hood Shown.

1. Determine the location, size and type of awning to be mounted.
 - There must be structure at the awning mount locations. Fiberglass or sheet metal siding alone is **NOT** strong enough to support the weight of the awning!
2. Two methods of mounting are available. The awning mounting brackets may be directly attached to a vertical surface or the optional roof mount brackets allow the awning to be mounted on a pitched surface or from an overhang.
3. The bottom of the mounting bracket should be mounted a minimum of 4.5" above the door opening.
4. Determine the mounting locations of the power box and switch if applicable.
5. At the power box location, 110VAC input is required. The box may be wired with the furnished cord and plug that connects into a standard outdoor receptacle; or, power may be hardwired.
 - The installer must use a 110VAC circuit for the awning system that is protected by an appropriate sized circuit breaker. The awning draws a maximum of 3 amps.
 - For hardwire installations, the installer must install AC power in accordance with the prevailing building codes including required conduit, junction boxes etc. These items are not included in the awning kit and must be furnished by the installer.

MOUNTING THE AWNING BRACKETS

1. Prior to mounting the brackets, inspect and clean the mounting area. The area must be flat without ridges or irregularities. Smooth the area as required.
2. The brackets must mount into the vertical structure of the building or to reinforced support members that are attached to the structure.
3. The brackets should be positioned so that there is one bracket on either side of each of the arm knuckles.
4. Ensure that the brackets are level and in-line with each other.
5. Determine the best method to attach the mounting brackets to the wall. Examples for attaching the mounting brackets are shown in Figure 2 on page 5.



SOLA003

Figure 2. Attaching the Mounting Brackets.

Using the Optional Roof Mount Brackets

The brackets are shipped unassembled.

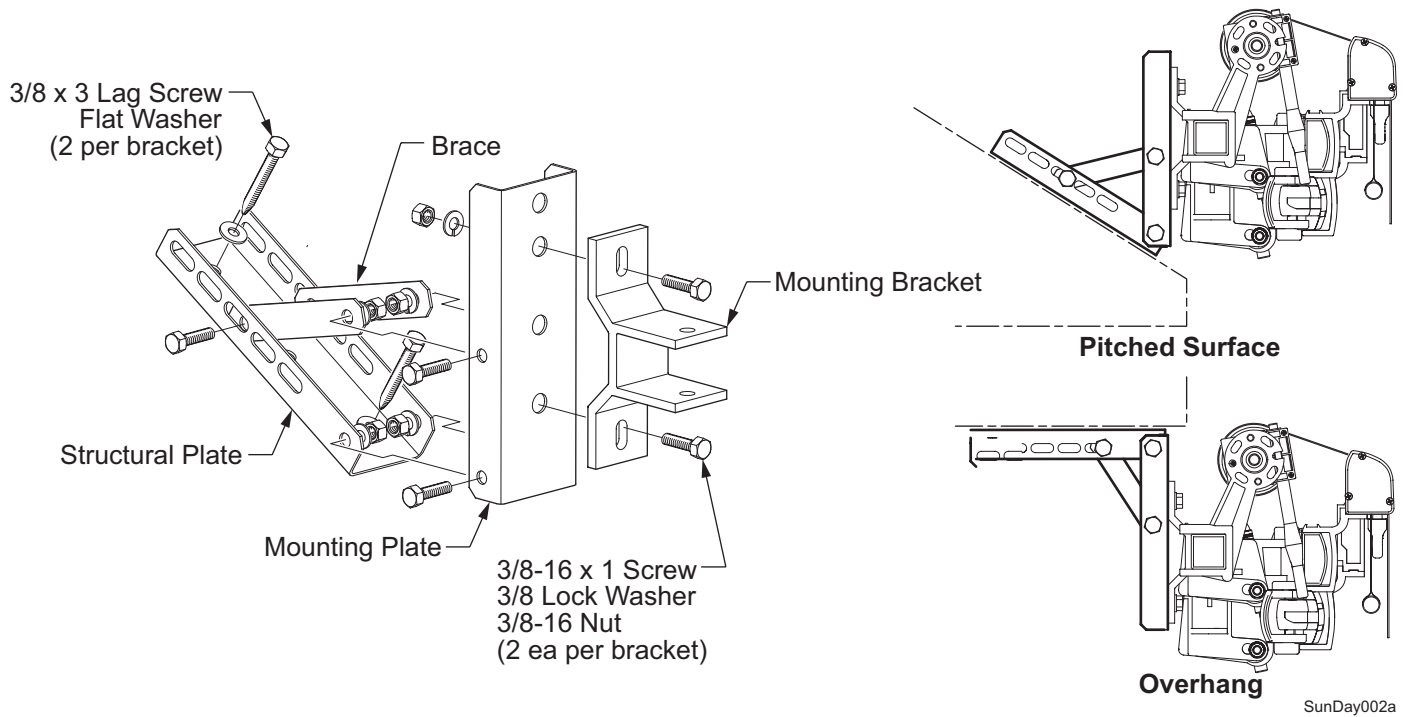


Figure 3. Roof Mount Brackets.

1. Position the structural plates in the desired locations and attach using 3/8 x 3 lag screws and washers. Follow the recommended mounting procedures described previously.
2. Loosely attach the braces and mounting plate to the structural plate using the bolts, washers and nuts furnished in the bracket package.
3. Set the mounting plate vertically and tighten all the attaching hardware.
4. attach the awning mounting bracket to the mounting plate using two (2) 3/8-16 x 1 screws, lock washers and nuts. Ensure that the brackets are in line and parallel.

MOUNTING THE AWNING

1. *For installations with the optional cover (refer to Figure 5 on page 7):*
 - Slide the 4 cover brackets behind the awning rollbar and around the awning frame (square tube).
 - Position the outer brackets toward the end of the awning frame. Evenly space the remaining brackets. When positioning the brackets, ensure that there is no interference with the arms.
 - Secure the brackets in place with one each 5/16-18 x 3/4 screw. The screw threads through the bracket and against the awning frame.

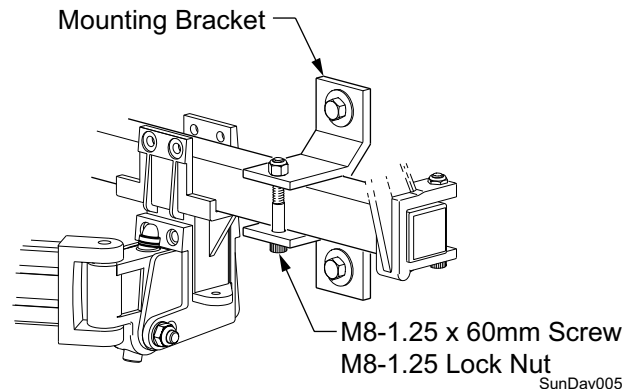
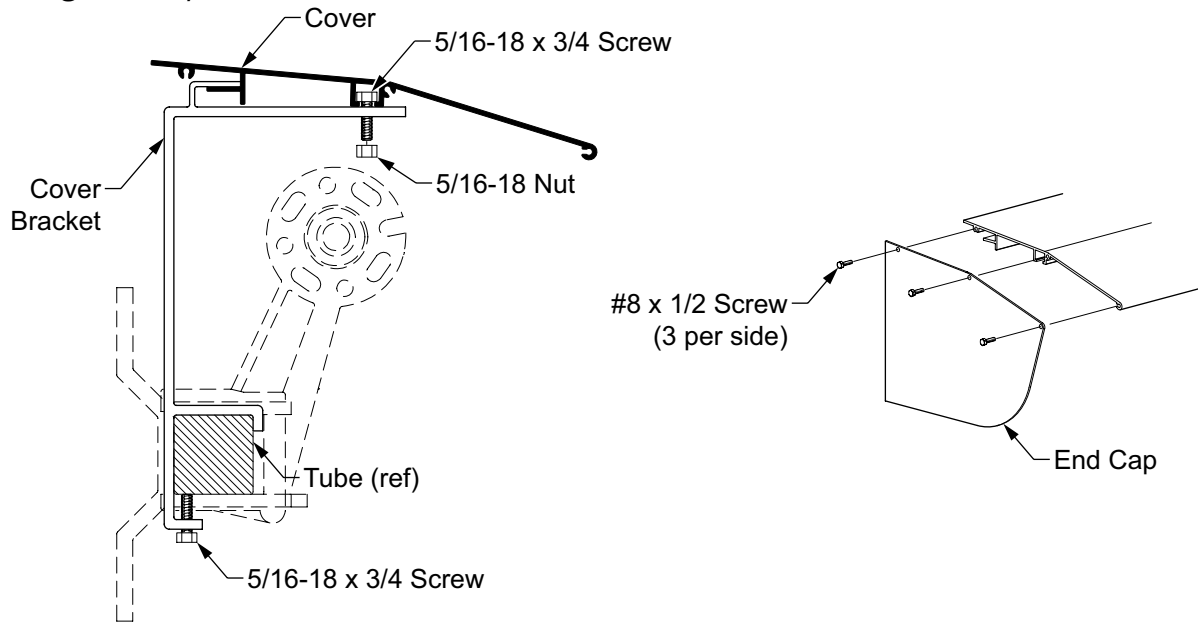


Figure 4. Securing the Awning.

2. Lift the awning assembly up to the brackets.
3. Set the square tube into the mounting brackets.
4. Horizontally center the awning in the brackets and over the area to be shaded.
5. Secure the awning to the brackets using the M8-1.25 x 60mm screws and nuts.

Attaching the Optional Cover

SunDay006a

Figure 5. Attaching the Cover.

1. Slide the heads of four (4) 5/16-18 x 3/4 screws into the track on the bottom of the cover.
2. Lift the cover onto the brackets. The lip of the cover should latch with the hook on the brackets.
3. Align the screws from step 1 with the holes in the brackets.
4. Center the cover over the awning and secure with four (4) 5/16-18 nuts.

This concludes the physical installation of the Carefree SunDay Awning. For manual versions, no further installation is required. For motorized versions, go to "Wiring" on page 8.

WIRING

⚠ WARNING

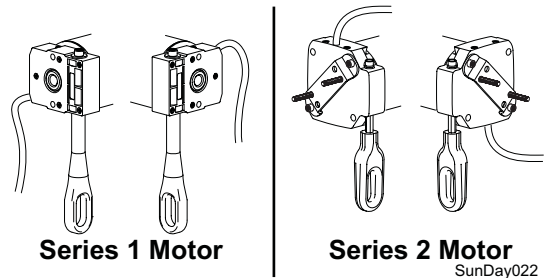
ALWAYS DISCONNECT THE ELECTRICAL SOURCES BEFORE WORKING WITH ELECTRICAL WIRING AND COMPONENTS.

The 110VAC motorized Carefree SunDay Awning is available with two power options.

- a) A single hardwired switch; or,
- b) Power Control System. The system offers several options that are not available with the standard hard wired installation. These options include remote controls; wireless wall switches for interior installation and the wind-sense auto retract for protection against adverse wind conditions.

Important Notices:

- Failure to follow the wiring instruction in this publication may void the motor warranty.
- Wiring must conform to NEC (National Electrical Code) and the prevailing building codes of the area.
- Do not wire two or more motors to one switch or control box – No parallel wiring.
- It is strongly recommended that wiring be done by a qualified electrician.
- The installer must furnish required UL approved junction boxes, conduit etc. where required.
- Two versions of the tubular motor are used on the Sunday II awning. Before beginning the wire connections, identify the motor (series 1 or 2) then use the appropriate wire colors listed for that motor. Colors are identified in the "Wire Legend".

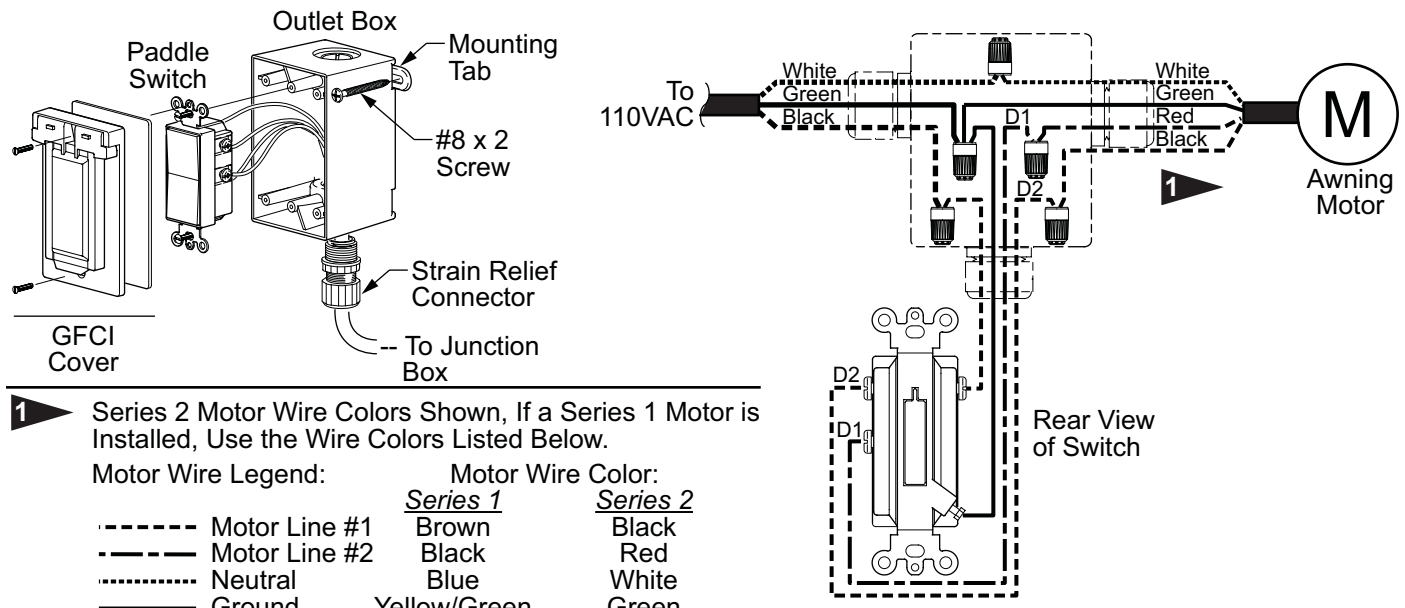


SINGLE SWITCH INSTALLATION

1. Determine the location of the switch and junction boxes. The following cable lengths should act as a guide for locating the components:
 - 8 feet of cable from awning motor (attached to motor);
 - 12 feet of 2 conductor 18AWG cable w/ ground and standard grounded plug;
 - The installer must furnish the 3 conductor cable w/ ground from the junction box to the switch box.
2. Attach the appropriate junction and switch boxes in the desired location.
3. Route the cables as shown and connect the wires with standard wire nuts. Be sure to match wire colors as shown in the diagram below.

Note: Form drip loops at the motor and junction boxes to avoid water following the cables into the components.

4. Connect wires to the switch and install switch and cover.



1 Series 2 Motor Wire Colors Shown, If a Series 1 Motor is Installed, Use the Wire Colors Listed Below.

Motor Wire Legend:	Motor Wire Color:	
----- Motor Line #1	<u>Series 1</u>	<u>Series 2</u>
----- Motor Line #2	Brown	Black
..... Neutral	Black	Red
----- Ground	Blue	White
	Yellow/Green	Green

Figure 6. Single Switch Installation.

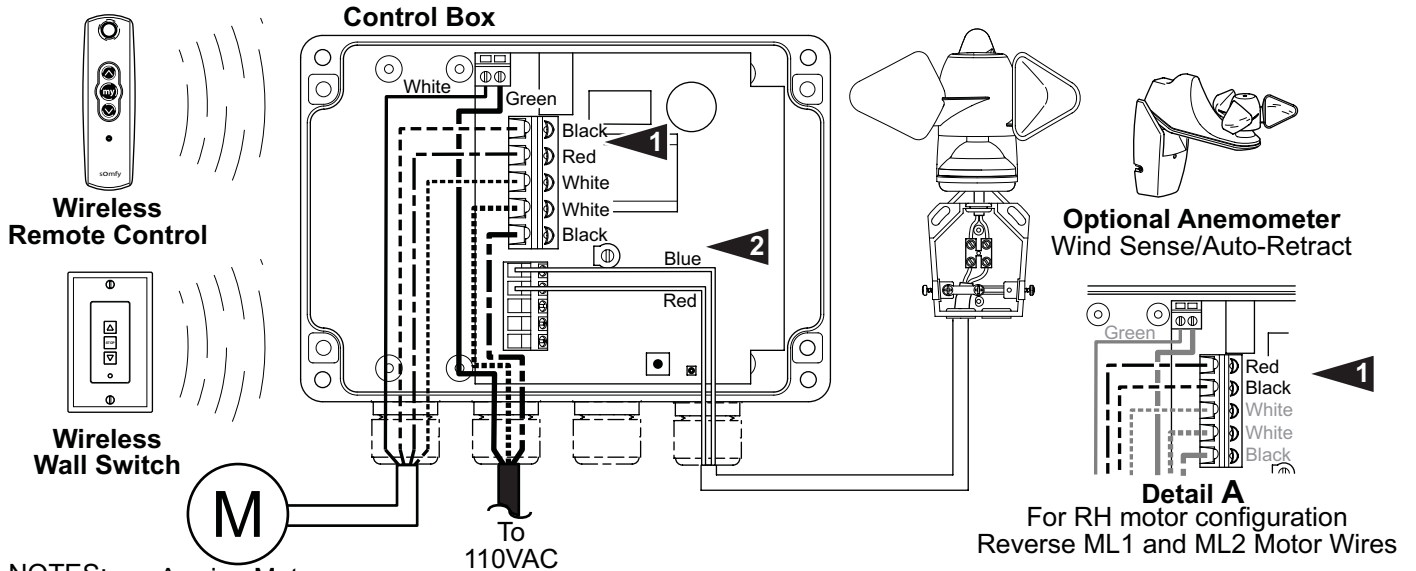
SunDay007

POWER CONTROL SYSTEM

The power control system provides the home owner several options that are not available with the standard hard wired installation. These options include remote controls; wireless wall switches for interior installation and the wind-sense auto retract for protection against adverse wind conditions.

Control Box Installation

The control box is used when the installation uses a wireless remote, wireless switch or anemometer. For multiple awning applications, each unit must have a dedicated control box. Multiple awnings cannot be controlled by a single control box.



NOTES: Awning Motor

1 Series 2 Motor Wire Colors Shown, If a Series 1 Motor is Installed, Use the Wire Colors Listed Below.

Motor Wire Legend:	Motor Wire Color:	
	<u>Series 1</u>	<u>Series 2</u>
----- Motor Line #1	Brown	Black
----- Motor Line #2	Black	Red
----- Neutral	Blue	White
----- Ground	Yellow/Green	Green

2 Wire colors for Anemometer are not pin specific.

SunDay008b

Figure 7. Control Box Wiring Diagram.

1. Determine the location of the control box.
 - Mount the box as close to the motor as possible.
 - The following cable lengths should act as a guide for locating the components:
 - 8 feet of cable from awning motor (attached to motor);
 - 12 feet of 2 conductor 18AWG cable w/ ground and standard grounded plug;
 - Do not mount the box on or next to metal surfaces. This can affect radio reception.
 - When mounting the box outside, ensure that the cable entry glands are pointed down to avoid moisture seepage.
2. Remove the front cover of the control box.
3. Attach the box using a minimum of two (2) #8 x 2 screws. The screws should be mounted in opposite corners.
4. Route the 2-conductor 18 AWG wire w/ ground into the box. Connect wires to the control box as shown in the wiring diagram.
5. Route the cable wire from the awning motor to the control box and connect the wires as shown.

Note: Form drip loops at the motor and control box to avoid water following the cables into the components.
6. Do not attach the control box cover at this time.

Wireless Switch Installation

CAUTION

THE WIRELESS WALL SWITCH IS DESIGNED AS AN INTERIOR SWITCH ONLY. MOUNTING THE SWITCH OUTSIDE OR IN AN AREA DIRECTLY INFLUENCED BY ADVERSE ENVIRONMENTAL FACTORS CAN CAUSE PREMATURE DAMAGE TO THE SWITCH AND VOID WARRANTY.

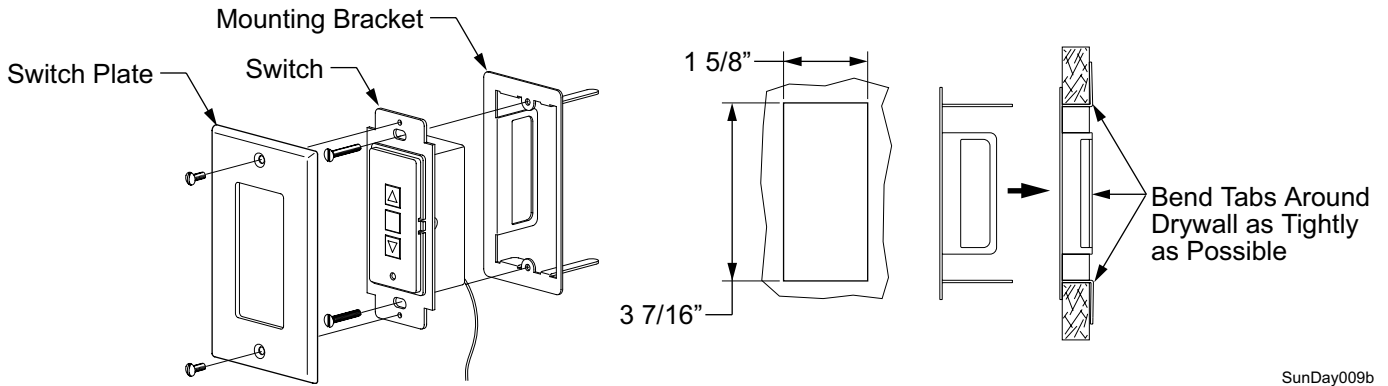


Figure 8. Mounting the Wireless Switch.

1. Determine the location of the switch. The switch should be positioned so that the operator can see the awning operate.
2. Carefully cut a hole 1 5/8" wide x 3 7/16" tall into the wall.
3. Press the mounting bracket into the hole and bend the bracket tabs tightly around the drywall as shown.
4. Program the switch and control box. Refer to "Programming a Transmitter" on page 10.
5. After programming is complete, attach the switch and switch plate to the mounting bracket using the furnished screws.
6. If all options are installed, attach the control box cover.

Programming a Transmitter

The wireless wall switch and hand held remote are both available as a single channel or multiple channel. A single channel transmitter controls one awning, the multiple channel transmitter can control up to 4 separate units individually or as a group. Transmitters require a control box installed.

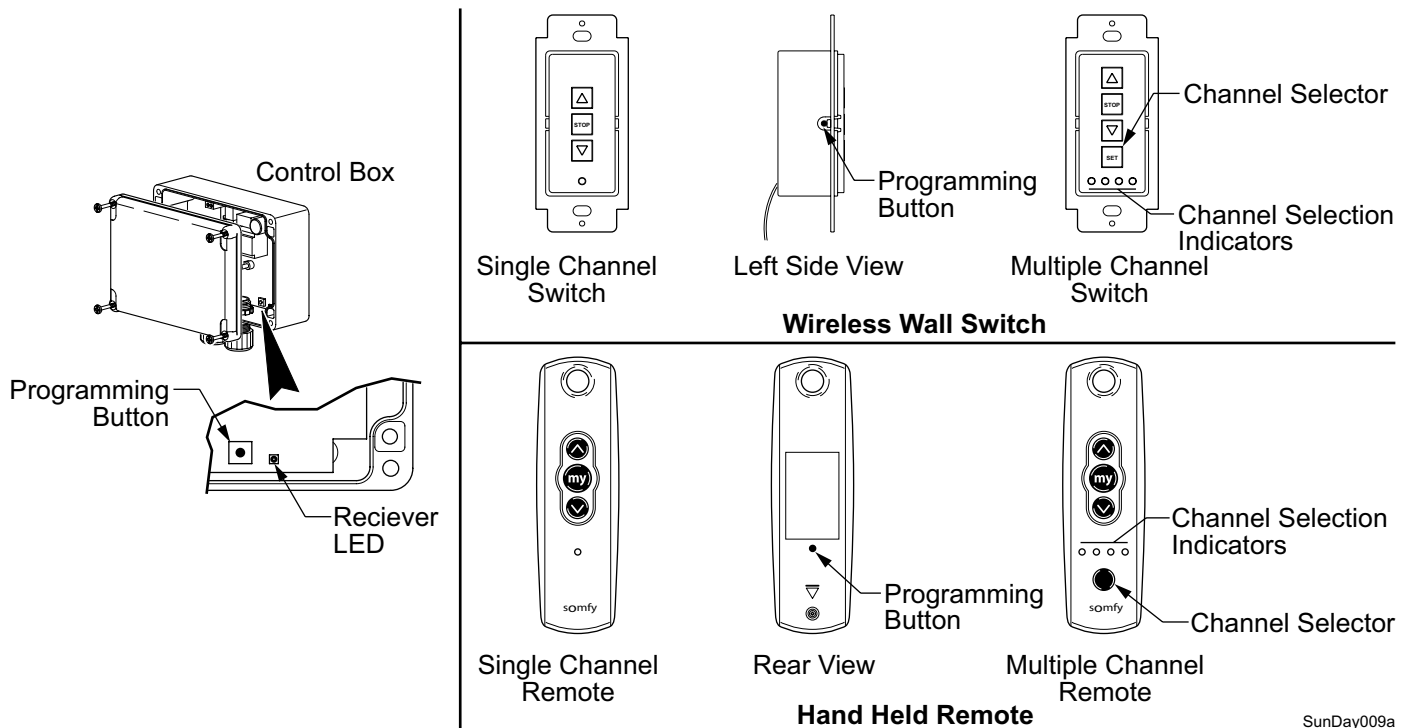


Figure 9. Programming a Transmitter.

1. Connect control box to power source (110VAC).
2. Press the Programming Button (PROG) of the receiver located in control box (lower right corner) until LED illuminates. This indicates that for one (1) minute the receiver is ready to receive the address of the transmitter. After this time, the control box exits the programming mode and the LED goes out.
3. For multiple channel transmitters, use the channel selector until the 1st channel (LED) is illuminated.
4. Press the Programming Button on the transmitter with a ballpoint pen until the receiver's LED blinks rapidly and shuts off. The address of the transmitter is instantly memorized and the receiver automatically ends the programming mode.
5. For multiple channel transmitters:
 - To set the group control, Use the channel selector until all 4 LEDs are blinking, this is the group (master) channel. Repeat steps 5 & 7.
 - Repeat the above steps for each control box using the channel selector to set the channel to #2 for the second control box, #3 for the third control box and #4 for the fourth box. For each control box also set the master channel.
6. Test operation. The "UP" arrow should retract the awning; the "DOWN" arrow should extend the awning. If the awning works opposite the switch markings, reverse the Brown and black motor wires in the control box.

IMPORTANT NOTE: The awning must operate as described if the wind-sense auto retract is installed. If the awning operates in reverse of the markings, the system will try to extend the awning instead of retracting the awning.

NOTES FOR SWITCHES AND REMOTES

- Transmitters operate on a frequency of 433.42 MHz.
- Transmitters use a 3V Lithium Battery (CR 2430)
- Maximum operating range is 65 ft. Actual distance may vary based on installation.
- The control box may be programmed for up to 12 transmitters (switches and remotes).
- Programming additional transmitters may be accomplished as described previously or can be done using the existing transmitters. To use an existing transmitter: press the programming button of the existing transmitter for 3 seconds then press the programming button of the new transmitter for 1 second (max).

Mounting the Optional Anemometer

The optional wind-sense auto retract system uses an anemometer to measure wind speed. When the wind reaches the user set value, the awning will automatically retract.

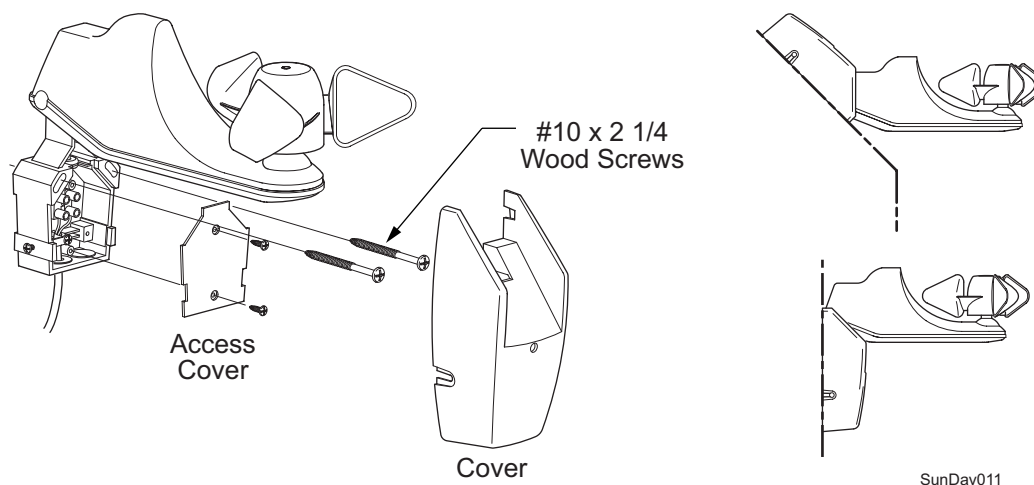


Figure 10. Mounting the Anemometer.

1. Remove the outer cover and the access cover.
2. Knock out one of the holes at the bottom of the base.
3. Route the furnished cable through the hole and under the clamp plate in the base.
4. Attach the wires to the terminals as shown in the wiring diagram. The wire colors are not pin specific.

5. Reattach the access cover.
6. Determine the mounting location of the anemometer.
 - The anemometer may be mounted to a vertical surface or sloped surface;
 - Ensure that the cups are horizontal. Do not mount upside down;
 - The position should be exposed to the same wind elements as the awning.
7. Mount the unit using the supplied wood screws.
8. Install the outer cover over the base.
9. Route the cable to the control box and connect the wires as shown.

Testing the System

1. Plug the power cord into an active power receptacle (110VAC).
2. On the transmitter (wireless switch or remote), press and release the DOWN arrow. The awning should extend.
3. Press and release the stop (center) button. The awning should stop.
4. Press and release the UP arrow. The awning should retract and stop automatically when fully closed.

If the awning does not operate as described:

- If the awning moves in a direction opposite than described; in the control box, reverse the Brown and black wires from the motor.
- If the awning does not operate using the transmitter; program the remote following the directions on page 10.
- If the awning does not operate, check power in and all wiring connections, correct as required.

Testing the wind sense auto-retract function. (This test assumes the previous tests were successful.)

1. Set the wind speed sensitivity to the lowest wind speed. Refer to page 14.
2. Extend the awning approximately half way.
3. Spin the anemometer. The awning should retract automatically to the closed position.

NOTE: Do not hit the anemometer to spin. Using compressed air provides a constant pressure source and, the output can be regulated to test the various sensitivity settings. DO NOT position the nozzle closer than 10 inches from the cups.

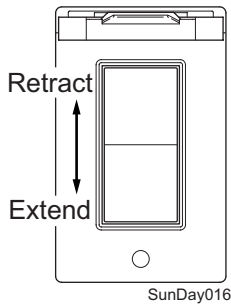
4. Repeat steps 2 and 3 two (2) more times with the sensitivity set at the medium and high wind settings.

If the awning does not respond:

- Check that the wiring from the anemometer and control box is good and that the cups are not blocked.
- If the awning opens instead of closes; in the control box, reverse the Brown and black wires from the motor.

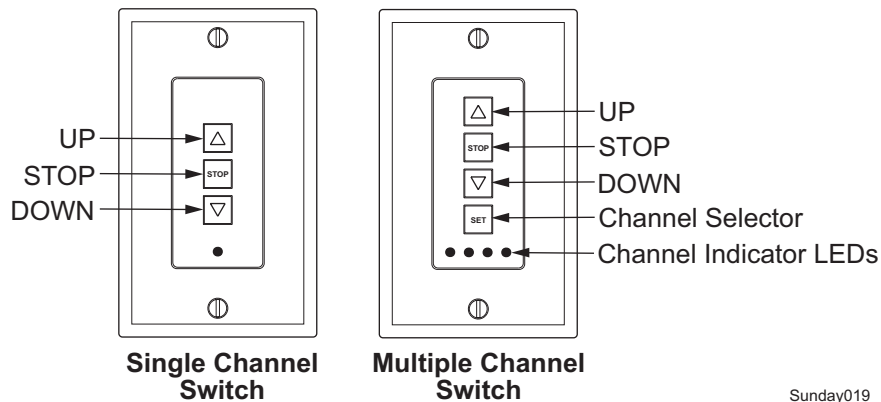
OPERATION

SWITCH OPERATION – STANDARD HARDWIRE INSTALLATION



- Press and hold the switch down to extend the awning to the desired extension.
- Press and hold the switch up to retract the awning.

USING THE WIRELESS INTERIOR SWITCH



Sunday019

Figure 11. Wireless Switch.

- UP Press and release the UP arrow to retract the awning. The awning will retract until fully closed.
- STOP Press the center button to stop the awning during extend or retract functions.
- DOWN..... Press and release the DOWN arrow to extend the awning. The awning will extend to the maximum extension.
- Channel Selector .. For multiple channel switches: Press the "Channel Selector" until the corresponding selection indicator LED is illuminated for the awning to be operated.

When all 4 indicator LEDs are illuminated the remote is in "Group" mode. All awnings will respond to the command buttons as a group (i.e. pressing the DOWN button will cause all awnings to extend).

The wireless switch uses a flat 3V Lithium Battery (CR2430) that should provide a long period of service. To replace: Remove the switch from the wall mount. On the back remove the box (2 screws). Slide the old battery from the battery holder and slide a new battery in. Pay attention to the polarity of the battery. Batteries are available through local battery outlets.

USING THE REMOTE CONTROL

- UP Press and release the UP arrow to retract the awning. The awning will retract until fully closed.
- STOP Press the center button to stop the awning during extend or retract functions.
- DOWN..... Press and release the DOWN arrow to extend the awning. The awning will extend to the maximum extension.
- Channel Selector .. For multiple channel remotes: Press the "Channel Selector" until the corresponding selection indicator LED is illuminated for the awning to be operated.

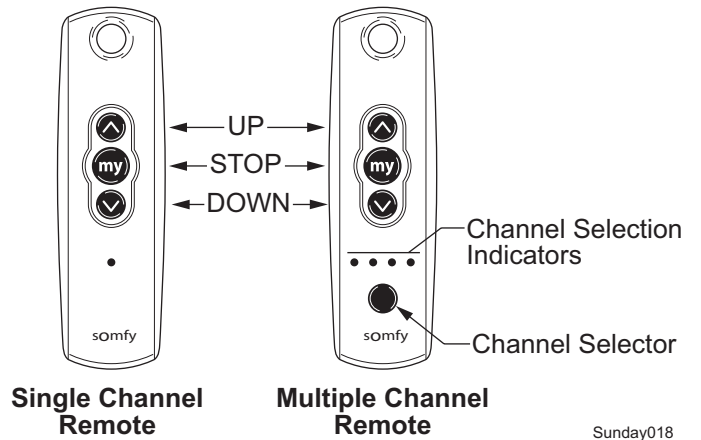


Figure 12. Remote Control.

When all 4 indicator LEDs are illuminated the remote is in "Group" mode. All awnings will respond to the command buttons as a group (i.e. pressing the DOWN button will cause all awnings to extend).

The remote uses a flat 3V Lithium Battery (CR2430) that should provide a long period of service. To replace: Remove the screw and back of the remote. Slide the old battery from the battery holder and slide a new battery in. Pay attention to the polarity of the battery. Batteries are available through local battery outlets.

WIND-SENSE AUTO RETRACT

The optional wind-sense auto retract system uses an anemometer to measure wind speed. The system is always on when the awning is extended. When the wind reaches the user set value, the awning will automatically retract.

When the wind speed exceeds the set value for longer than 2 seconds, the retract command is activated. While the wind speed exceeds the set value, all extend and stop commands are ignored. When the wind speed drops below the set value, operation will return to normal after a brief delay.

⚠ CAUTION

THE WIND-SENSE AUTO RETRACT SYSTEM IS A PREMIERE ELECTRONIC AUTO-RETRACT SYSTEM THAT PROVIDES PROTECTION AGAINST ADVERSE ELEMENTS; BUT NO AUTO-RETRACT SYSTEM IS A GUARANTEE AGAINST SEVERE OR DESTRUCTIVE WEATHER; THE EFFECTS OF WIND AND RAIN ON AN AWNING ARE UNPREDICTABLE AND MAY CAUSE SEVERE DAMAGE TO THE AWNING AND/OR BUILDING. IF WIND OR EXTENDED PERIODS OF RAIN ARE EXPECTED, RETRACT THE AWNING.

Setting the Wind Speed Sensitivity

The wind sensitivity can be set for a preferred wind speed.

1. Open the control box.
2. In the center of the control board, locate the speed adjust switch.
3. Turn the switch to the desired setting. Turning to the left increases sensitivity (less wind); turning to the right decreases sensitivity (higher wind). The label next to the switch gives approximate values in miles per hour.

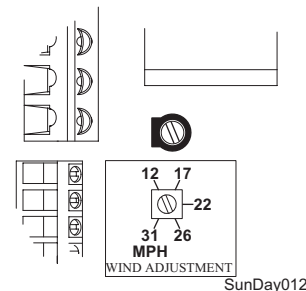


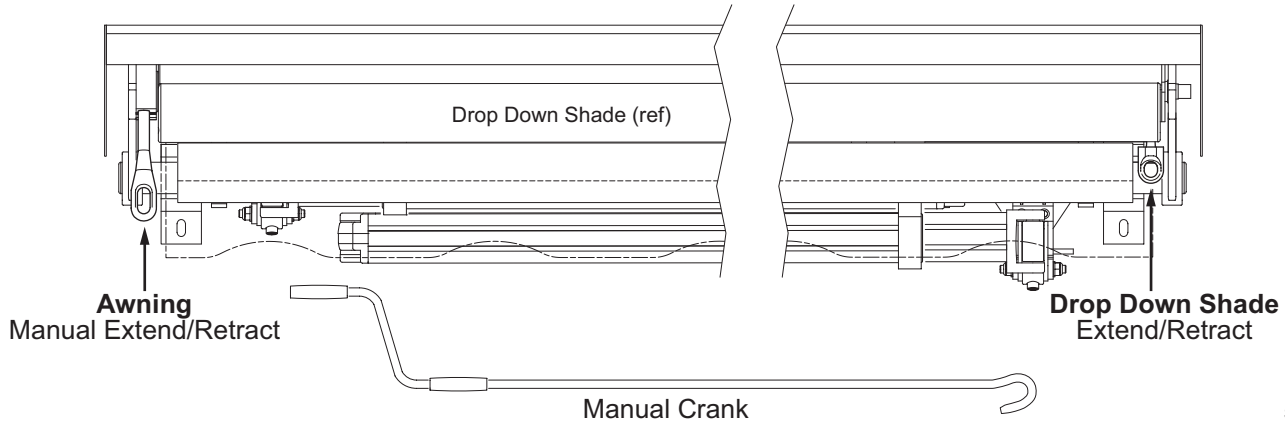
Figure 13. Setting Wind Sensitivity.

MANUAL OPERATION

Awning

This procedure is used when power is not available for the motor.

1. Insert the hook on the hand crank into the eyelet located at the end of the fabric roll bar.
2. Turn the crank to extend or retract the awning.



Left hand motor shown.

Figure 14. Manual Controls.

Drop Down Shade

The drop down shade is located in the lead rail of the awning and is manually operated using the hand crank.

1. Insert the hook on the hand crank into the eyelet located at the right end of the lead rail.
2. Turn the crank to extend or retract the shade.

SETTING THE PITCH

The pitch of the Sunday II Awning can be set to optimize shade coverage for the deck or patio.

1. Locate the large hex screw on the bottom of the arm knuckle.
2. Using an 8mm allen wrench turn the screw counterclockwise to lower the lead rail and clockwise to raise the lead rail.
3. Repeat for the other side.

CAUTION

ADJUST BOTH SIDES OF THE AWNING EVENLY. IF THE LEADING EDGE IS NOT LEVEL, THE RETRACT FUNCTION MAY NOT CLOSE PROPERLY AND CAUSE DAMAGE TO THE ARMS AND AWNING.

ADJUSTING THE ARM SAG

Overlapping arms are adjusted at the factory to fold parallel with each other. After installation it may be necessary to adjust the arm sag so that the arms fold without hitting or rubbing.

1. Locate the knuckle of the arm that is out of adjustment.
2. Slightly loosen (do not remove) the screws that clamp the knuckle (or spacer) onto the square tube. Do not allow the knuckle to move horizontally on the bar.
3. Using a 4mm allen wrench turn the set screws (one on each side of the knuckle) to adjust the arm level.
To lower the arm elbow: Loosen the outer set screw and tighten the inner set screw.
To raise the arm elbow: Loosen the inner set screw and tighten the outer set screw.
4. Tighten the screws that clamp the knuckle onto the square tube.

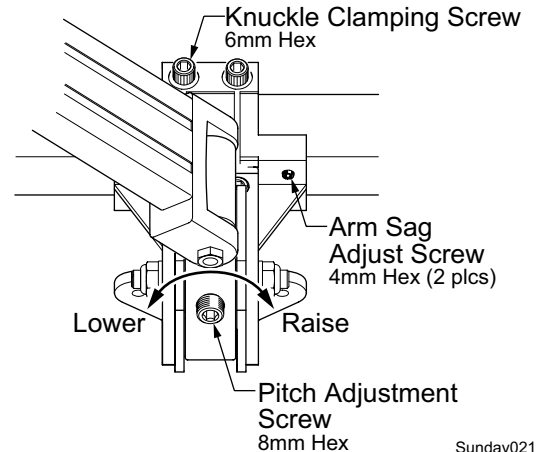


Figure 15. Pitch Adjustment.

MAINTENANCE

CLEANING

⚠ CAUTION

DO NOT USE OIL BASED CLEANERS OR ANY CAUSTIC, GRANULATED, OR ABRASIVE TYPE CLEANERS.

1. One of the best ways to keep the fabric looking good and to delay the need for deep or vigorous cleanings is to hose fabrics off on a monthly basis with clear water. This practice will help prevent dirt from becoming deeply imbedded in the fabric and eliminate the need for more frequent vigorous cleanings. In most environments, a thorough cleaning will be needed every two to three years.
2. When it's time for a thorough cleaning, the fabric can be cleaned while still on an awning frame.
 - For Acrylic Fabric – Use a stiff brush and warm water with soap.
3. When cleaning the fabric, it is important to observe the following:
 - Always use a natural soap. Never detergent.
 - Water should be cold to lukewarm. Never more than 100 degrees.
 - Air-dry only. Never apply heat to the fabric.

Mildew

Mildew is a fungus growth that looks like dirt. Under ordinary conditions, mildew will not appear. However, in areas where high temperature and humidity are common, mildew can be a problem and require the material to be washed more frequently. THOROUGHLY rinse the fabric with clean water and allow to air dry completely before rolling up the awning.

SETTING THE LIMIT SWITCHES

The motor limit switches are preset at the factory for best operation of the awning. The “OUT” limit switch is used to stop the motor when the awning is fully extended. The “IN” limit switch is used to stop the motor when the awning is fully retracted. The limit switches are adjusted on the top of the motor.

NOTE: It is best to make the adjustments in increments of a single turn. 3 full turns of the screw equals approximately 2" of fabric extension.

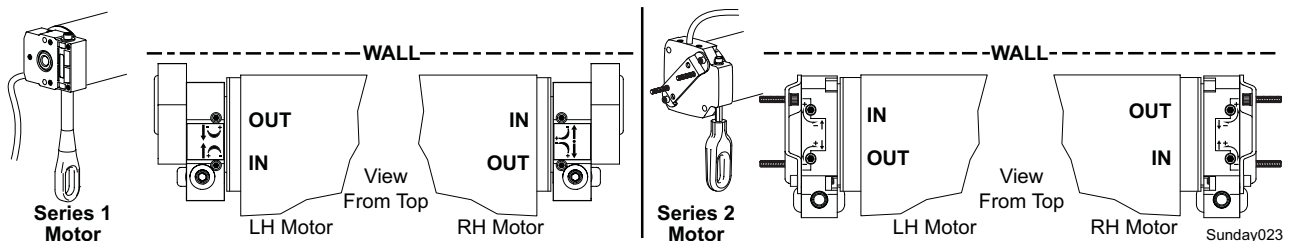


Figure 16. Setting the Limit Switches.

Adjusting the “OUT” Limit Switch

1. Extend the awning out completely.
2. Confirm that the arms are fully extended. The motor should stop and the fabric should be tight. If the motor continues to run, the fabric will sag; or, if the motor quits before the arms are extended, it will be necessary to adjust the “OUT” limit switch.
3. Using a 4mm Allen wrench turn the “OUT” limit switch. “+” increases time the motor runs during extension, “-” reduces the time the motor runs.

Adjusting the “IN” Limit Switch

1. Retract the awning out completely.
2. Confirm that the arms are fully retracted. The motor should stop when the awning is fully retracted. If the motor continues to run; or, if the motor quits before the arms are fully retracted, it will be necessary to adjust the “IN” limit switch.
3. Using a 4mm Allen wrench turn the “IN” limit switch. “+” increase time the motor runs during retraction, “-” reduces the time the motor runs.

LIMITED WARRANTY

Carefree of Colorado (hereafter referred to as Carefree) warrants to the FIRST retail Purchaser that the SunDay Patio Awning is free of defects in material and workmanship within the terms and conditions as set forth below. Carefree's obligation under this warranty is limited to the repair or replacement, at Carefree's option, of any defective component within the stated warranty period. THIS WARRANTY IS NOT TRANSFERABLE.

1. DURATION

- a) 5 years on motor and canopy.
- b) 10 years on springs, rollers and hardware.
- c) 12 months on electronic components.
- d) For the first 12 months, should a failure occur and the initial purchaser has proof of purchase (warranty card sent in or receipt of purchase) and notifies Carefree in a timely manner, all components, labor and freight are covered 100%.
- e) After the initial 12 months, any defects in the product will be replaced or repaired for a prorated amount of the cost of the part based upon the number of months since the initial date of purchase.

Warranty duration is not extended by the length of time the product is not in use or the time which the purchaser is deprived the use of the product. The duration of coverage is determined by the date of the original product purchase, not the date of repairs.

2. WHAT IS COVERED UNDER THIS WARRANTY

Defects in the manufacturer's material and workmanship of product under normal use, and which occur within the duration of the warranty period. The following components are covered only as listed:

- a) *Fabrics* – Free from quality defects (normal wear and fading are excluded). Cracking, peeling, hardening, sagging or loss of strength provided that the damage is not the result of high winds or water pooling.
- b) *Roller tube & Hardware* – Free from extrusion defects.
- c) *Springs* – Defects.
- d) *Motor assemblies* – Defects.
- e) *Electronics* – Defects.

3. WHAT IS NOT COVERED UNDER THIS WARRANTY

- a) Fabric damage such as pinholes or tears not reported within ten (10) calendar days of purchase.
- b) Improper installation and/or any damage or failure that results from improper installation of the product, including fabric damage caused by improper installation.
- c) Normal wear including the occasional need to re-tension the awning.
- d) Conditions that are not related to the material or workmanship of the product: including any failure that results from an accident, wind, rain, water pooling, or other acts of God.
- e) Purchaser's abuse, including but not limited to neglect; failure to operate, use or maintain the product in accordance with the instructions provided with the product.
- f) Any component not sold or manufactured by the Carefree.
- g) Any failure that results from the use of another manufacturer's product with a Carefree product that is not specifically approved by Carefree.
- h) Any incidental, indirect, or consequential loss, damage, or expense that may result from any defect, failure, or malfunction of the Carefree product.
- i) The removal or alteration of any product component or device. In the event of such removal or alteration, this warranty is void.
- j) Any expense related to delivery or pick-up of product to/from the service dealer.

4. RESPONSIBILITIES OF THE PURCHASER

IN ORDER FOR THE WARRANTY TO BE HONORED, THE PURCHASER MUST HAVE PROOF OF PURCHASE: THE ORIGINAL RECEIPT OR THE WARRANTY CARD ON FILE AT CAREFREE OF COLORADO. FAILURE TO PROVIDE THE REQUIRED DOCUMENTATION MAY DELAY OR VOID ANY WARRANTY CLAIM.

- a) Retain dated proof of purchase for specified product, and provide it as requested.
- b) Inspect the awning upon purchase to confirm the condition of the canopy, hardware and proper operation of the product.
- c) Perform "Periodic Maintenance" as specified in Owners Manual.
- d) Use reasonable care in maintenance, operation, use and storage of the product in accordance with the instructions contained in the owner's manual.

5. WARRANTY CLAIM PROCEDURE

- a) Deliver any product claimed or found defective during warranty period to a Carefree of Colorado Authorized Service Dealer. Visit www.carefreeofcolorado.com for the name of nearest Authorized Service Dealer, or call Carefree at the phone number shown.
- b) Customer shall schedule a time with an Authorized Service Dealer. Repair or replacement will be scheduled and performed at the Authorized Service Dealer according to normal work flow and availability of replacement parts.
- c) *Work must be performed by a Carefree authorized service center.* When warranty work/repair is performed by an authorized service agent, the agent is responsible for directly billing Carefree of Colorado for warranted parts and labor.
- d) Carefree shall pay the respective servicing dealer or agent for performing any repairs authorized by Carefree as per the terms of this warranty. Company will allow for freight and labor charges - labor is based on Flat Rate Form.
- e) All warranty claims shall be paid through the servicing agent. Carefree does not provide reimbursement for warranty claims paid for by the customer.
- f) The customer shall pay only those costs not covered by warranty. The customer shall have no out-of-pocket expenses except as stated.
- g) The Original Purchaser is responsible for any expenses related to delivery or pick up of product to/from the Service Dealer.
- h) If the Purchaser does not receive satisfactory results from the Authorized Service Dealer, the Purchaser should contact the Carefree of Colorado Customer Care Department within 10 days after completion of the questionable service.

THIS WARRANTY GIVES THE OWNER SPECIFIC LEGAL RIGHTS. THE LAWS OF CERTAIN JURISDICTIONS MAY GRANT THE OWNER ADDITIONAL RIGHTS AND PRIVILEGES. Except as set forth above, Carefree makes no warranty, whether statutory or otherwise, including without limitation, any warranty of merchantability or fitness for a particular purpose. Carefree shall have no liability except to repair, replace or adjust defective products and parts. Carefree specifically excludes any liability, whether in contract, tort or otherwise, for personal injury, property damage, economic or consequential losses. Carefree has not authorized any person or company to alter the terms of this warranty.

It is Carefree of Colorado's policy and practice to continuously improve the company's products and services. Therefore, Carefree reserves the right to make changes in design and components, without notice, whenever it is believed the quality of the product will be improved, but without incurring any obligation to incorporate such improvements in any product which has been shipped or in service.

FOR YOUR RECORDS:

DEALER/INSTALLER
NAME: _____
ADDRESS: _____

PHONE: _____
PURCHASE DATE: _____
PART NUMBER: _____
SERIAL NUMBER: _____
PRODUCT NAME
OR DESCRIPTION: _____
Color: _____ **Length:** _____

Register your Carefree products on-line @ www.carefreeofcolorado.com

