



OMEGA II PULL STRAP UPGRADE KIT

Models: Omega II
Purpose: The center pull strap has been improved to provide the user improved accessibility.
Summary of Work: This action consists of removing and replacing the case; and, removing and replacing the center pull strap.

RV

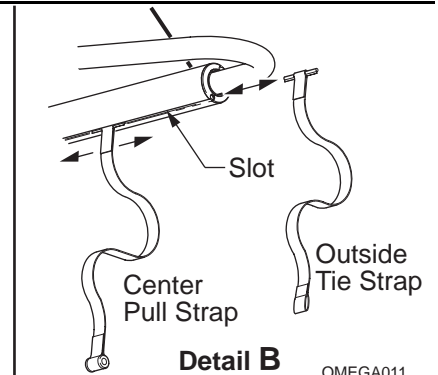
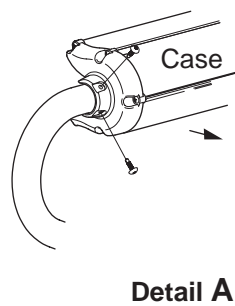
COMPONENT CHECK LIST

COMPONENT	QTY	COMPONENT	QTY
• Case Assembly	1	• Clip, Strap	1
• End Cap, LH	1	• Set Screw	1
• End Cap, RH	1	• Screws	10
• Pull Strap Assembly	1	• 3/16" Pop Rivets	4

(The rubber grommet is installed on the pull strap assembly.)

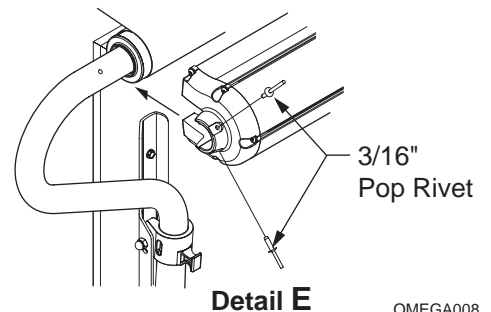
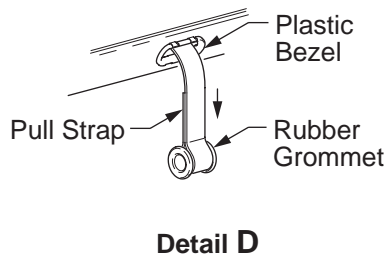
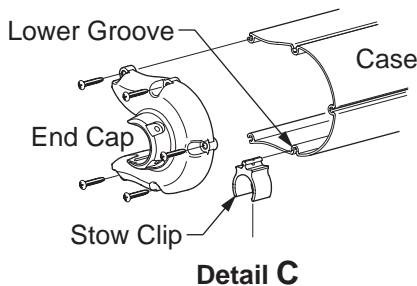
INSTALLING THE STRAP

1. Extend the slide-out room completely.
2. (Detail A) Remove the four (4) screws that hold the case onto the arms. Then remove the case.
3. Pull the awning down and secure using one of the side tie-down straps.
4. (Detail B) Slide the unused tie-down strap and the center pull strap off the roller.
5. Slide the new center pull strap into the slot and center on the rollbar.
6. Slide the tie-down strap into the slot of the rollbar. The strap can be moved horizontally along the rollbar to align with the existing strap catch.
7. Retract the awning to the vertical position.



OMEGA011

INSTALLING THE CASE



OMEGA008

8. (Detail C) Slide the stow clip into the lower groove of the case.
 9. Install the end caps with the supplied screws.
 10. Slide the clip to the area of the pull strap and secure using the # 6 setscrew.
 11. Lift the case up to the top of the ladders or platforms used during assembly.
- NOTE: The slot in the case is in the lower half of the case.**
12. (Detail D) Thread the center pull strap through the slot and plastic bezel in the case. It will be necessary to squeeze the rubber grommet at the end of the strap to get it through.
 13. (Detail E) Lift the case up and press onto the arms. Center the case over the roller and orient the case by aligning the existing mounting holes with the holes in the case.
 14. Ream the mounting holes out to 7/32" then secure the case to the arms using two (2) 3/16" pop rivets on each end.

STOWING THE STRAP

When the awning is open, the pull strap will hang down loosely. Use the pull cane and press the pull strap grommet into the clip to keep the strap from flopping.

