



# INSTALLATION MANUAL

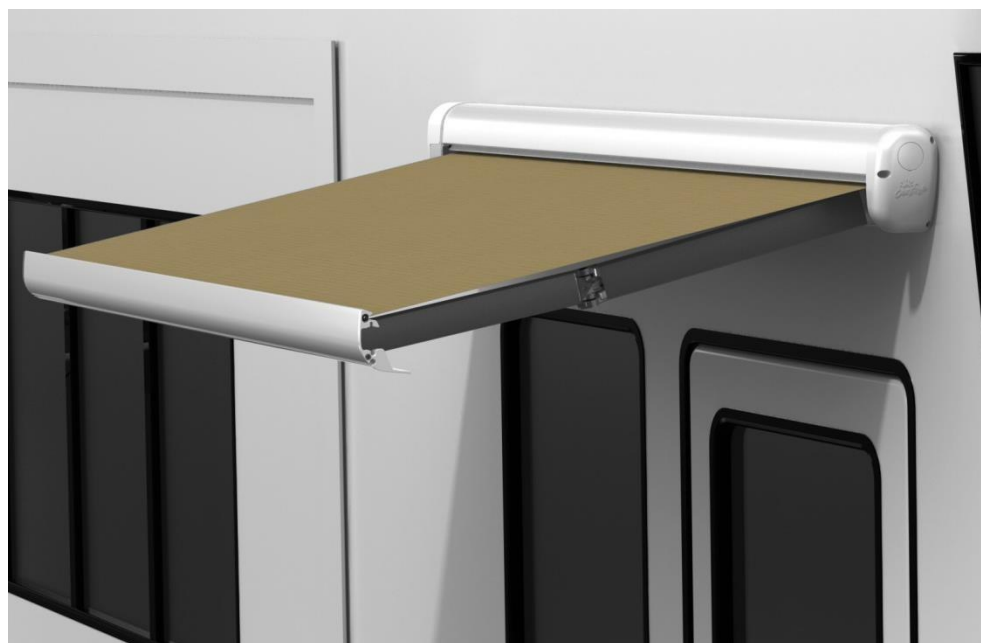
## FREEDOM OTD AWNING

CAREFREE STYLE CODES KZ

### MANUAL OVER THE DOOR LATERAL ARM BOX AWNING



Read this manual before installing or using this product. Failure to follow the instructions and safety precautions in this manual can result in personal injury and/or cause the product to not operate properly.



### TABLE OF CONTENTS

<b>Product Overview</b> .....	<b>1</b>
Component Checklist .....	1
<b>Installation</b> .....	<b>2</b>
Attaching the Mounting Plates .....	2
Mounting the Awning .....	3
Installation Using an Awning Rail .....	3
Manual Crank Handle Storage Clips.....	3
<b>Pitch Adjustment</b> .....	<b>4</b>


## PROPRIETARY STATEMENT

The Freedom OtD Awning is a product of Carefree of Colorado, located in Broomfield, Colorado, USA. The information contained in or disclosed in this document is considered proprietary to Carefree of Colorado. Every effort has been made to ensure that the information presented in the document is accurate and complete. However, Carefree of Colorado assumes no liability for errors or for any damages that result from the use of this document.


The information contained in this manual pertains to the current configuration of the models listed on the title page. Earlier model configurations may differ from the information given. Carefree of Colorado reserves the right to cancel, change, alter or add any parts and assemblies, described in this manual, without prior notice.

Carefree of Colorado agrees to allow the reproduction of this document for use with Carefree of Colorado products only. Any other reproduction or translation of this document in whole or part is strictly prohibited without prior written approval from Carefree of Colorado.


## SAFETY INFORMATION

 This is the safety alert symbol. It is used to alert individuals to potential personal injury hazards. Obey all safety messages that follow this symbol to avoid possible personal injury or death.

---

 **WARNING** Indicates a hazardous situation, which if not avoided, could result in death or serious bodily injury.


---

 **CAUTION** Indicates a hazardous situation, which if not avoided, may result in minor or moderate bodily injury.



---

**NOTICE** Indicates a situation that may result in equipment-related damage.

### General Safety:




 **WARNING** This product can expose you to chemicals including Di-isodecyl phthalate (DIDP), Vinyl Chloride and Formaldehyde, which are known to the state of California to cause cancer or birth defects or other reproductive harm. For more information visit [www.P65warnings.ca.gov](http://www.P65warnings.ca.gov)

---

  **WARNING** Shock Hazard. Always disconnect battery or power source before ground the electrical system.

---

Always wear appropriate safety equipment (i.e. goggles).

   **CAUTION** Always use appropriate lifting devices and/or helpers when lifting

 holding heavy objects.

---

**NOTICE** When using fasteners, do not over tighten. Soft materials such as fiberglass and aluminum can be "stripped out" and lose the ability to grip and hold.

Carefree

[www.carefreeofcolorado.com](http://www.carefreeofcolorado.com) Marmon | Berkshire Hathaway Company



## PRODUCT OVERVIEW

The Freedom Awnings are state of the art lateral arm awnings. When retracted, the housing provides protection against the elements while the streamlined styling blends in with the coach sidewall. The full tension canopy fabric allows the awning to be partially or fully extended for best shade coverage.

Each unit is equipped with lateral support arms. No vertical arms interfere with coach sidewalls, custom graphics or equipment that may be mounted on the sidewalls.

### Freedom Awning Specifications:

- Fully retractable and self-storing;
- Manual operation with hand crank;
- Case and frame are constructed of high-strength aluminum extrusions protected with a polyester paint finish;
- Stainless steel fasteners and hardware.

### SPECIFICATIONS

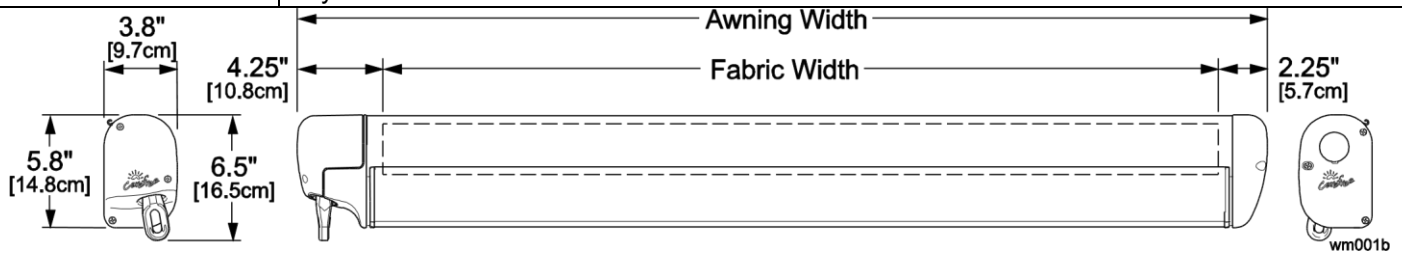
Widths:	50" – 72" (127cm -183cm)
Extension:	36"

### LEADING EDGE POSITION ACTUATION AND CONTROL

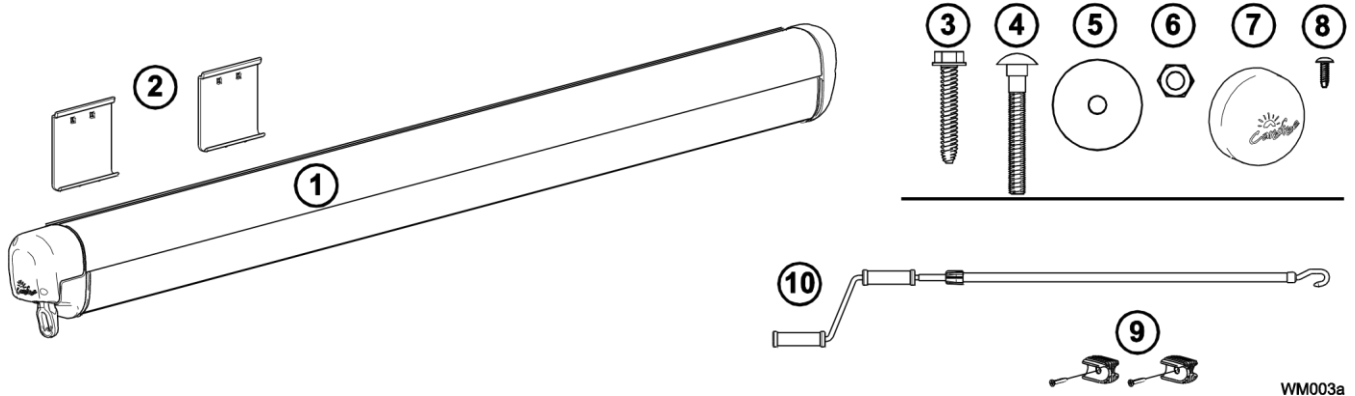
Power:	Lateral Arm Spring	Minimum Tension	Open
Position Control:	Roll Out/In Controlled by Manual Crank	Crank Ratio 2.7 : 1	

### COLORS AVAILABLE

Case	Satin, White or Black
Fabric: <sup>1</sup>	Vinyl



### COMPONENT CHECKLIST



<input checked="" type="checkbox"/>	ITEM	DESCRIPTION	QTY	NOTE
→	1	Awning Assembly	1	1

→	2	Mounting Plate	12cm [4 3/4"]	2	
→	3	Screw, Lag	#14 x 1 1/2"	3	
→	4	Carriage Screw	M6-1 x 50mm	4	
→	5	Fender Washer		4	
→	6	Nut, Nylock	M6	4	
→	7	Bolt Cover		4	
→	8	Screw, Square Drive Pan Head	#6 x 3/8"	4	
→	9	Clip, Crank Handle		2	
→	10	Crank Handle		1	

Notes: 1. Awning configuration is specified at time of order, including awning length, fabric, color etc. Check awning assembly against original purchase order.

## INSTALLATION

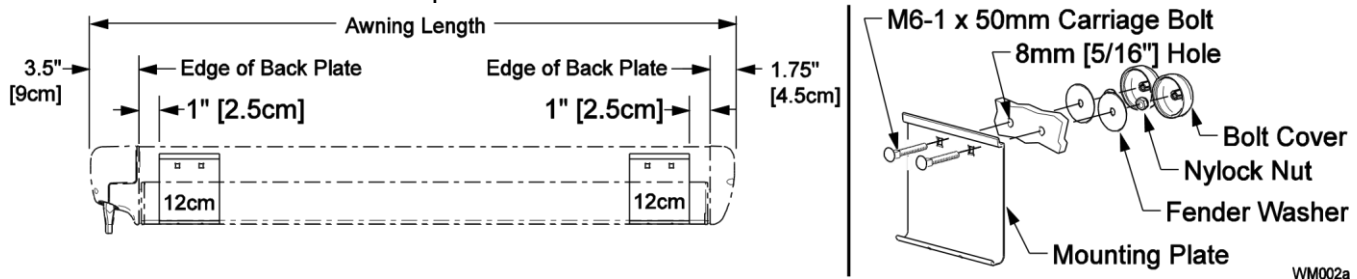
Two standard methods are available to mount the Freedom awning. The awning may be mounted using a set of mounting plates that attaches to the vehicle wall (refer to page 3) If using adaptor brackets, follow the instructions included with bracket kit then proceed with "Mounting the Awning" on page 3. The awning may also be mounted using an existing awning rail.

### Prior to mounting the awning:

- Review both mounting methods to determine the best mounting method for the particular application. The mounting brackets require access to the inside of the mounting surface.
- If there is an awning rail installed, check that the awning rail runs the full length of the awning. The awning rail must be extremely straight to accommodate the awning mount. The rail must be attached to structural components for stability.
- Ensure that the awning will not interfere with light fixtures, exhaust vents, openings, etc.

### ATTACHING THE MOUNTING PLATES

- Determine the optimum positioning of the awning.
  - The centerline of the awning fabric is offset from the centerline of the awning assembly. To align the center of the fabric, use the backplate of the awning assembly for measurements.
  - The bottom of the mounting plates should be a minimum of 7" [18cm] above any openings or frames to avoid interference when the awning is installed.
- Mark the position with a chalk line.
- Determine the correct plate pattern then use the plates as a template and drill 5/16" [8mm] holes through the vehicle wall to match the plates.



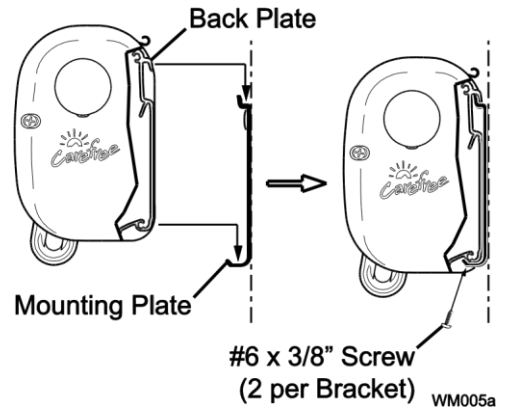
WM002a

**NOTICE** For proper operation of the awning, the brackets must be placed under the arm knuckles. If it is necessary to position the brackets differently than shown in Figure 3, use the knuckle positions shown.

- Attach the plates using the supplied M6-1 x 50mm carriage bolts, fender washers, nuts and bolt covers.

**Mounting the Awning**

- Set the awning into the hooks of the mounting plates.
- Adjust the position of the awning horizontally as required.
- Attach the awning case to the mounting plates using two (2) selftapping #6 x 3/8" screws for each bracket.

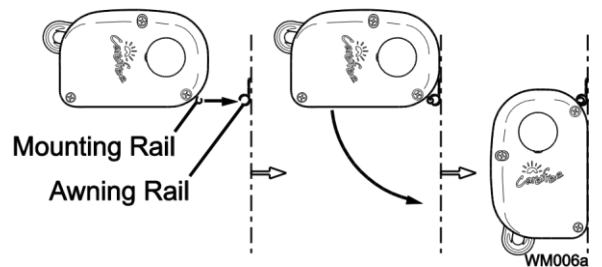


**INSTALLATION USING AN AWNING RAIL**

The awning may be mounted using an existing awning rail. Awning rails are not furnished with the awning.

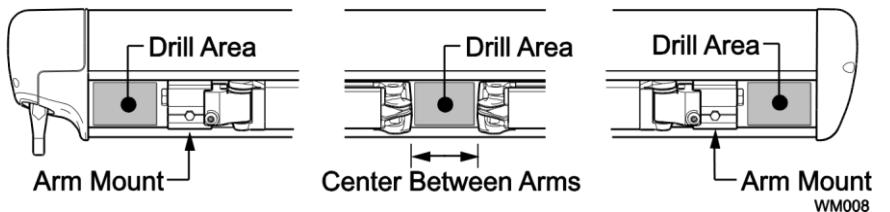
- Determine the optimum positioning of the awning.
  - When installed, the bottom of the awning case is 5 1/4" [13.3cm] from the centerline of the awning rail. The rail must be mounted a minimum of 12.25" [31cm] above openings to avoid interference.
  - The centerline of the awning fabric is offset from the centerline of the awning assembly. To align the center of the fabric, use the backplate of the awning assembly for measurements.

- Lightly spray the inside track of the awning rail with a silicone lubricant.
- Using a minimum of two people, lift the awning up and tilt as shown.
- Hook the mounting rail into the awning rail and roll down.
- Adjust the position of the awning horizontally as required. It may be necessary to lift the awning so that it will slide in the awning rail.



- Rotate the awning down.
- Open the awning 14"-18" [35 - 45cm] to allow access to the back plate.

- Drill three (3) 3/16" [4.8mm] holes through the back of the case into the mounting surface and into the structure. Use care to not drill through the inner wall.



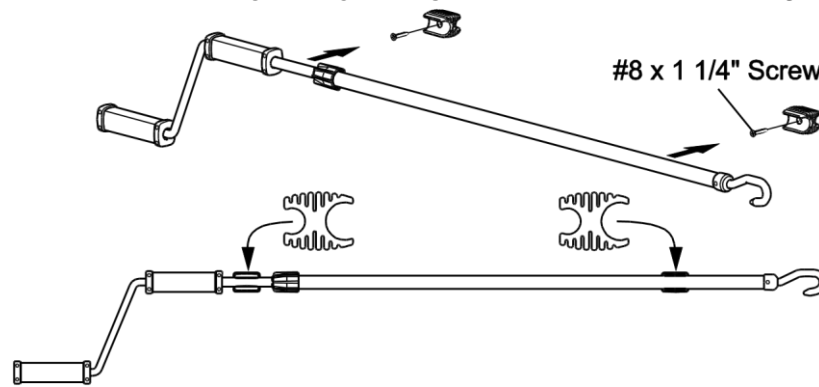
- In the awning case, ream out the 3/16" [4.8mm] holes to 5/16" [8mm]. Do not allow the drill to extend into the wall.

**NOTICE** The screws must be located in the open areas of the awning case as shown. The arms cannot close completely if the screw heads are underneath.

- Secure the awning using three (3) #14 x 1 1/2" lag screws.

**MANUAL CRANK HANDLE STORAGE CLIPS**

Two clips are provided to store the manual crank handle. These may be mounted horizontally or vertically.



CH001

The clips are designed so that one side has a smaller diameter to fit the smaller tube of the handle. The other side has a larger diameter to fit the larger tube of the handle. The clips can be arranged as shown or the clips can be oriented so both attach to the larger tube (i.e. if the handle is fully collapsed for storage).

1. Snap the clips on to the crank handle.
2. Position the handle in the desired location and mark the locations of the clips.
3. Remove the clips from the crank handle and mount at the marks made previously. Use the #8 x 1 1/4" screws provided.

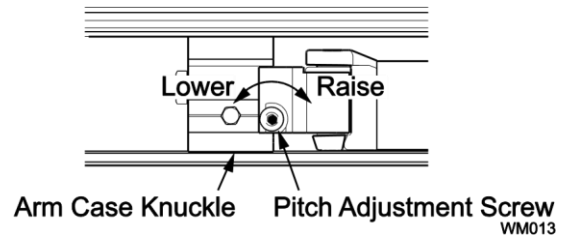
**NOTE:** The screws will go through the mounting surface approximately 1/2"; if the mounting surface material is thinner than 1/2" the screws will protrude through the opposite side.

### **PITCH ADJUSTMENT**

The Freedom OtD provides minor pitch adjustment for aligning the lead rail with the case. This adjustment is only for fine-tuning the installation. It is not intended as an operational pitch adjustment.

**NOTICE** When the pitch of the awning is adjusted, it is important that the lead rail is parallel to the awning housing.

1. Open the awning to access the adjustment screw located on the arm case knuckle.
2. Have a second person lift up on the lead rail to relieve the pressure on the adjustment screw.
3. Using a 5mm allen wrench, turn the adjustment screw clockwise to raise the lead rail; turn the adjustment screw counterclockwise to lower the lead rail.
4. Repeat for the other side as necessary.





### OEM INSTALLATION AUDIT/APPROVAL FORM

OEM

LOCATION OR PLANT

NAME: \_\_\_\_\_

#: \_\_\_\_\_

AUDIT

RSM: \_\_\_\_\_

DATE: \_\_\_\_\_

UNIT #: \_\_\_\_\_

COACH MODEL: \_\_\_\_\_

PRODUCT

DESCRIPTION: \_\_\_\_\_

AWNING SERIAL NUMBER / DATE CODE: \_\_\_\_\_

**CONFIRM ALL OF THE INSTALLATION SECTIONS ARE BEING ACCOMPLISHED. NOTE DESCREPANCIES BELOW.**

Use the space below to note any observations and deviations from this installation manual related to the installation.

---



---



---



---



---



---



---



---



---



---



---

---

A complete wiring diagram is required to be submitted to Carefree for review and approval from the OEM and appended to this approval for motorized installations. Review the above with the appropriate OEM production personnel and have this form signed as recognizing and understanding all discrepancies and corrective action. Take a picture of this page, noting the revision and part number is visible. Send a PDF to [OEMTECHREPORT@carefreeofcolorado.com](mailto:OEMTECHREPORT@carefreeofcolorado.com) including wiring diagram. Leave a copy with the OEM, one copy for RSM files and one copy for OEM Applications Manager.

---

***OEM Representative (please print)***

---

***OEM Signature***

---

***OEM Position***

---

***Date***

---

***Carefree Representative (please print)***

---

***Carefree Signature/Date***

Disclaimer: Carefree performs audits as a service for our customers to help identify situations where installations may not conform to installation instructions, and to identify any potential installation errors. Audits are a random, one-time checkin time and do not verify all the attributes specified in the installation instructions. Carefree cannot be held responsible for any damage or costs as a result of incorrect installation. OEMs must always install products according to installation instructions. This document does not constitute liability or culpability on Carefree's part for incorrect installations performed by the OEM, dealer, service provider or the consumer.