

INSTALLATION & OWNER'S MANUAL

MANUAL OTD AWNING

Product style codes: 67, 68, AY, CP, FE, FV,
FW, FX, KJ, LZ, ND, NM, NN, PZ, UL

Arm style code: 65



RV



Before installing and operating the awning, carefully review the Owner's Manual. The manual contains important safety information, detailed operating instructions, common maintenance procedures and other useful information.



INTRODUCTION

From its beginning in the early 70's, Carefree of Colorado has emerged as the premier manufacturer of quality awnings and accessories for Recreational Vehicles (RVs). Our full line of products can provide the accessories that match your life style; no matter what type of RV you own.

Check with your dealer to discover the products that can make your life more Carefree.

TABLE OF CONTENTS

Introduction	2
Installation	2
Installing the Awning Rail	3
Installing the Awning	3
Securing the Fabric	5
Optional Slide Lock	5
Using the Slide Locks	5
Awning Care	6
Fabric Care	7
Arm Care	7
Carefree Major Product Limited Warranty	8

General Safety:



This is the safety alert symbol. It is used to alert individuals to potential personal injury hazards. Obey all safety messages that follow this symbol to avoid possible personal injury or death.



WARNING

This product can expose you to chemicals including Di-isodecyl phthalate (DIDP), Vinyl Chloride and Formaldehyde, which are known to the state of California to cause cancer or birth defects or other reproductive harm. For more information visit www.P65warnings.ca.gov



WARNING

Risk of fire. Keep all sources of heat and flame away from the awning canopy. Fabric is NOT fireproof.



WARNING

Shock Hazard. Locate and avoid any wiring in the areas to be drilled. Always disconnect the power source before working around the electrical system.



WARNING

Always wear appropriate safety equipment (i.e. gloves, goggles, ear protection).



CAUTION

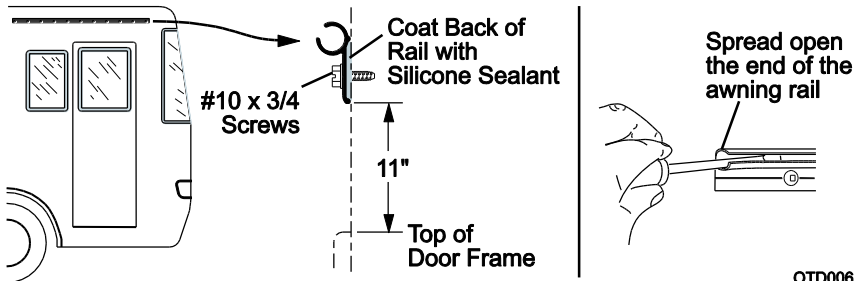
Always use appropriate lifting devices and/or helpers when lifting or holding heavy objects.

NOTICE

When using fasteners, do not over tighten. Soft materials such as fiberglass and aluminum can be "stripped out" and lose the ability to grip and hold.

INSTALLATION

INSTALLING THE AWNING RAIL



OTD006

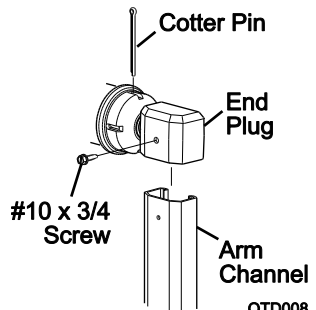
1. Thoroughly clean the vehicle walls where the arms and awning rail are to be attached. Remove any old caulking or sealant.
2. Using a non-permanent marker or chalk line, mark a parallel line 11" above the door frame. This will be the bottom of the awning rail.
3. Coat the back of the awning rail with a quality silicone sealant or putty tape.
4. Align the awning rail with the marks made previously.

NOTE: The awning rail is mounted with the slot pointing up as shown.
5. Center the awning rail (front to back) so that the canopy will cover the door but still allow the bottom brackets and arms to clear the door.
6. Attach the awning rail using the furnished #10 x 3/4" screws

INSTALLING THE AWNING

1. Attach the arms to the roller tube:
 - 1.1. Slide the arm channel into the end plug.
 - 1.2. Attach the end plug to the arm using one (1) #10 x 3/4" hex head screw.

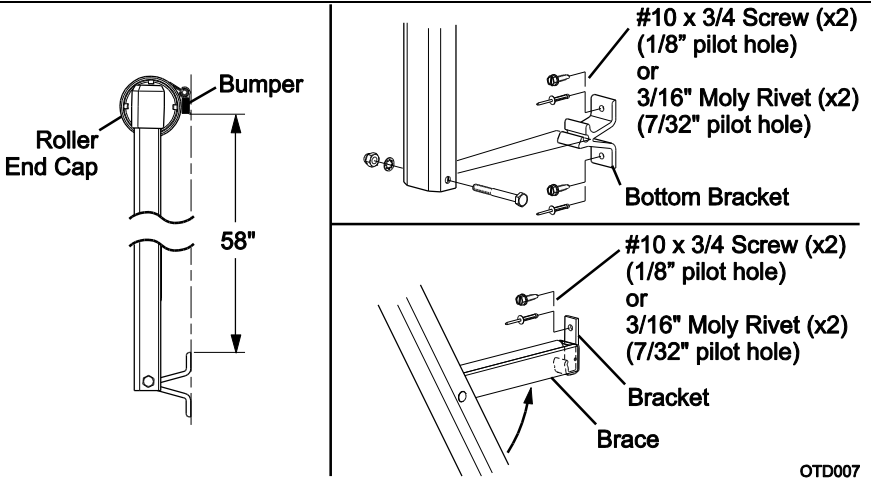
NOTICE The springs in the roller tube are pre wound with the correct amount of winds for awning. Do not unwrap the fabric as this will reduce the spring winds.



OTD008

2. With two people to hold the arms, slide the edge of the canopy or Alumaguard into the awning rail. Position the awning so that the end plugs line up with the rubber bumpers on the awning rail.

NOTE: While the awning fabric is fairly robust, use care to not snag it on the awning rail.
3. After the awing is positioned, remove the cotter pins from the roller tube end caps. There is one on each end of the roller tube.
4. Hold the arm in position and mark the location of the bottom bracket.
 - 4.1. The arm should be positioned so that the roller tube end cap is slightly below the slot of the awning rail and resting on the bumper on the awning rail.
 - 4.2. The arm should be perpendicular to the awning rail.
 - 4.3. Mark the location of the bottom bracket. The top of the bracket should be approximately 58" below the bottom of the awning rail.

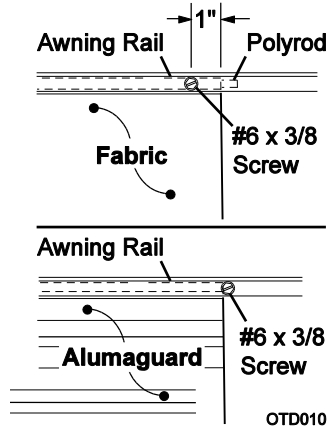


OTD007

5. Remove the bottom bracket from the arm and attach to the vehicle wall.
 - 5.1. If mounting into the structure of the wall, drill 1/8" pilot holes and attach the bracket with #10 x 3/4" screws.
 - 5.2. If mounting without structure, drill 7/32" pilot holes and attach the bracket with the 3/16" moly rivets.
6. Reattach the arm to the bracket using the screw, washer and nut removed previously.
7. Repeat for other arm.
8. Attach the brace brackets:
 - 8.1. Open the awning using the pull strap. It will be necessary for a second person to hold the awning open.
 - 8.2. Rotate the brace up and out of the channel.
 - 8.3. Hook the bracket onto the arm.
 - 8.4. While holding the brace horizontally, mark the location of the bracket.
 - 8.5. Lower the brace.
 - 8.6. Attach the bracket to the vehicle wall.
 - 8.6.1. If mounting into the structure of the wall, drill 1/8" pilot holes and attach the bracket with #10 x 3/4" screws.
 - 8.6.2. If mounting without structure, drill 7/32" pilot holes and attach the bracket with the 3/16" moly rivets.
9. Repeat for other arm.

SECURING THE FABRIC

1. Roll the awning in and out several times to make sure that the fabric is square on the roller tube.
2. Secure the canopy using one, #6 x 3/8" hex head screw at both sides of the awning.
 - 2.1. For vinyl awnings, place screw through awning rail, polyrod and canopy approximately 1" in from the end of the fabric.
 - 2.2. For Alumaguard awnings, place screw on the outer edge of the Alumaguard (not through the Alumaguard).

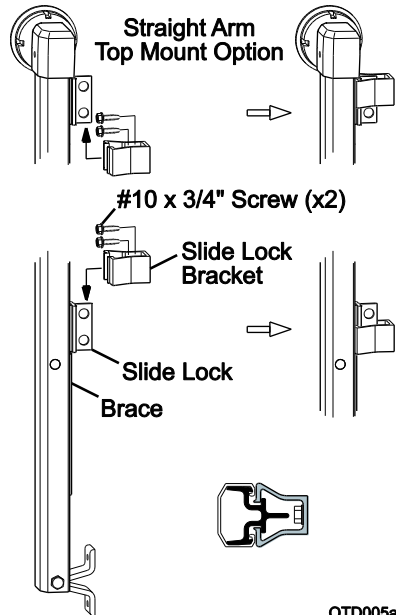


OTD010

OPTIONAL SLIDE LOCK

The following instructions are for awnings equipped with the optional slide lock. The slide lock mounts above the arm brace. For straight arm applications, the slide lock can be located directly under the end plug at the top of the arm.

1. Close the awning.
2. Position the slide lock in the arm at the top of the brace or directly below the end plug.
3. Place the bracket over the slide lock. Note the position as shown.
4. Mark the location of the bracket on the vehicle wall.
5. Repeat for the other arm.
6. Open the awning and set the braces.
7. At the marks made in step 4, attach the brackets using two (2) each #10 x 3/4 screws.
8. Insert the foam, that was removed previously, into the arm channel



OTD005a

USING THE OPTIONAL SLIDE LOCKS

1. Release the braces and fold into the arm channel.
2. Roll the awning up.
3. Slide the lock into the bracket.
 - For curved arms, it may be necessary to twist the arm at the bend to get the lock to slide into the bracket.
 - For top mount locks, use the pull cane to slide the lock in and out of the bracket.

OPERATING THE AWNING

To open the awning:

- If installed, slide the slide locks from the brackets.
- Using the pull strap, unroll the awning.
- While holding the pull strap, lift up the braces and hook onto the brace brackets on both sides.

To close the awning:

- Using the pull strap gently pull the awning out and hold.
- Release the braces then rotate and store inside the arm channel.
- Firmly hold the pull strap and allow the awning to roll up.



CAUTION

When the braces are removed, the awning is under the full tension of the springs. Do NOT release the pull strap. Allowing the awning to close without holding the strap may cause personal injury and/or damage to the awning and vehicle.

- If installed, slide the slide locks into the brackets.

AWNING CARE

Maintaining a Carefree Awning is easy. Just follow these basic steps:

- Always operate the awning according to the instructions.
- Periodically check that the fasteners are tight. Tighten if necessary.
- Keep the awning fabric and arms clean.

FABRIC CARE

NOTICE Do not use oil based cleaners or any caustic, granulated, or abrasive type cleaners on your Carefree product.

1. One of the best ways to keep the fabric looking good and to delay the need for deep or vigorous cleanings is to hose fabrics off on a monthly basis with clear water. This practice will help prevent dirt from becoming deeply imbedded in the fabric. In most environments, a thorough cleaning will be needed every two to three years.
2. When it's time for a thorough cleaning, the fabric can be cleaned while still on the awning frame.
 - For Vinyl Fabric – Use a soft brush and warm water with soap.
 - For Acrylic Fabric – Use a stiff brush and warm water with soap.
3. When cleaning the fabric, it is important to observe the following:
 - Always use a natural soap, never detergent.
 - Water should be cold to lukewarm, never more than 100°F.
 - Air-dry only. Never apply heat to the fabric.
 - Always allow the fabric to dry thoroughly before rolling up the awning.

MILDEW

Mildew is a fungus growth that looks like dirt. Vinyl coated polyester fabrics are mildew resistant because of a chemical biocide in the vinyl coating. Under ordinary conditions, mildew will not appear. However, in areas where high temperature and humidity are common, mildew can be a problem and require the material to be washed more frequently. Thoroughly rinse the fabric with clean water and allow to air dry completely before rolling up the awning.

POOLING

When water collects on the top of the fabric, this is known as "pooling". This can occur during inclement weather or if a running air conditioner discharges over the awning. The water is dumped when the awning is retracted. It is recommended that if water accumulates on the top; retract the awning in steps (8"-12") to dump the water. This will help prevent the fabric from stretching or distorting.

LEAKING

On vinyl canopies, side hems and poly cords are stitched in with a sewing machine. On occasion, this stitching may allow water to seep or leak through the stitches. This is normal and not a defect covered by warranty. Treat the seams with a quality seam sealer.

ARM CARE

The best method of keeping the arms and braces operating smoothly is to clean them. Dirt and debris can cause the channels not to slide easily. Periodically wash out the channels with running water (i.e. a hose) to keep them clean. If the channels still do not move easily, lightly spray the joints with a dry silicone lubricant, after the arms have been cleaned and dried thoroughly.

CAREFREE MAJOR PRODUCT LIMITED WARRANTY

Carefree of Colorado (hereafter referred to as Carefree) warrants to the first retail Purchaser that the Carefree Product is free of defects in material and workmanship within the terms and conditions as set forth in the warranty statement available online at www.carefreeofcolorado.com. Carefree's obligation under this warranty is limited to the repair or replacement, at Carefree's option, of any defective component with new or factory refurbished components.

OWNER MUST RETAIN THE ORIGINAL PROOF OF PURCHASE AND/OR HAVE THE PRODUCT WARRANTY REGISTRATION ON FILE AT CAREFREE FOR WARRANTY CLAIMS.

THIS WARRANTY IS NOT TRANSFERABLE.

Visit www.carefreeofcolorado.com for

- **Warranty Duration;**
- **Warranty Coverage and Exclusions;**
- **Warranty Terms of Coverage; and,**
- **Warranty Claim Procedures**

Register your Carefree products online at www.carefreeofcolorado.com

IMPORTANT NOTICE: It is strongly recommended that adjustments and repairs not described in this book be performed by trained technicians at your Authorized Carefree Dealer. Work performed by non-authorized persons or businesses may void warranty.

