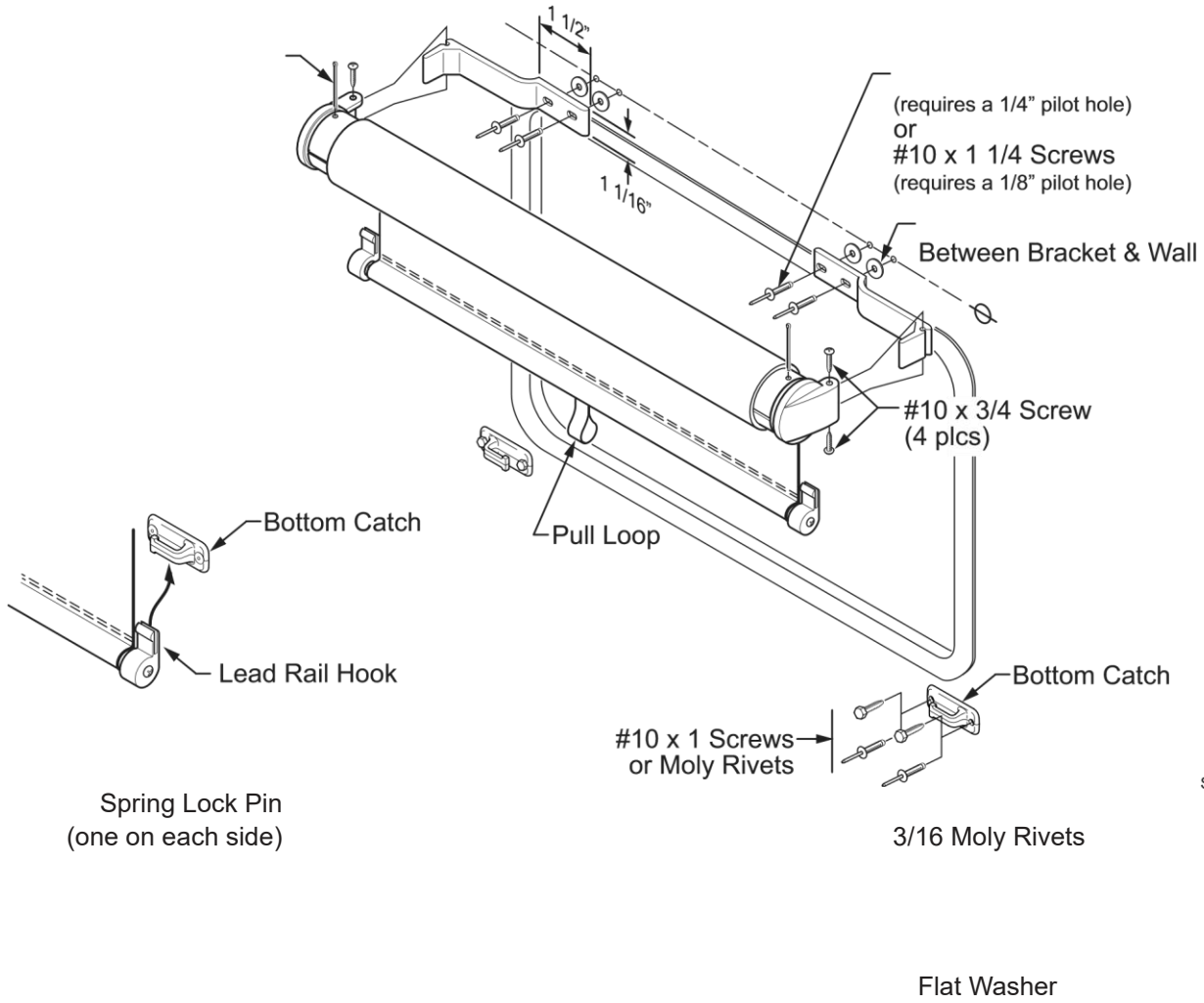




# Installation and Operation

## Interior Sunshade



Sunshade001

## DETAIL A

1. Lift the shade up and center over the window. The mounting brackets should be positioned just above the window frame.

**NOTE: Each mounting bracket requires a flat mounting area 1 1/2" long by 1 1/16" tall.**

2. Carefully mark the location of the brackets and bracket mounting holes.
3. Set the shade down and remove the four (4) #10 x 3/4 screws that hold the mounting brackets to the roller end caps. DO NOT DISCARD SCREWS.
4. Position the mounting brackets using the marks made previously and attach:
  - If there is structure behind the wall surface: Drill 1/8" pilot holes at the mounting hole locations and attach the brackets using the #10 x 1 1/4 screws.
  - If mounting into the wall surface: Drill 1/4" pilot holes at the mounting hole locations and attach the brackets using moly rivets. It is necessary to place a flat washer over the rivet between the bracket and wall.

**NOTE: Make sure that the brackets are mounted straight and level with each other. This is to prevent the shade from twisting or binding during operation.**

5. Lift the roller assembly up and attach to the brackets using the #10 x 3/4" screws that were removed previously. Make sure that the fabric is rolled up around the roller tube before attaching.  
*Tip: If the fabric is not wrapped, use tape or similar material to tie up the fabric temporarily.*
6. Firmly grasp the roller tube and remove the spring lock pins from each end of the roller tube.

### CAUTION

**THE LOCK PINS ARE HOLDING THE PREWOUND SPRING TENSION FOR THE ROLLER TUBE. USE CARE WHEN REMOVING THE PINS.**

---

052799-007r2 Printed in USA January, 2009 Carefree of Colorado EXTERIOR SUNSHADE

---

7. Holding the pull loop, pull the shade down until the bottom of the shade covers the bottom of the window and lead rail hooks are positioned over a flat surface.
8. Ensure that the shade is straight and place a catch over one of lead rail hooks. Mark the mounting location of the catch then let the shade slowly retract up.
9. Position the catch using the marks made previously and attach:
  - If there is structure behind the wall surface: Drill 1/8" pilot holes at the mounting hole locations and attach the brackets using the #10 x 1 screws.
  - If mounting into the wall surface: Drill 1/4" pilot holes at the mounting hole locations and attach the brackets using moly rivets.
10. Pull the shade down and hook into the installed catch. Repeat steps 8 and 9 to install the second catch.

This completes the installation of the Exterior SunShade.

---

052799-007r3 Printed in USA March 2026 Carefree of Colorado EXTERIOR SUNSHADE

## OPERATING THE SHADE

**To Extend:** Grasp the pull loop and pull the shade down. Hook the lead rail hooks into the bottom catches.

**To Retract:** Grasp the pull loop and unhook the lead rail hooks from the bottom catches, then guide the shade up to the stored position. The shade automatically stops rolling when the lead rail reaches the brackets.

### CAUTION

**TO PREVENT DAMAGE, ROLL THE SHADE UP SLOWLY. DO NOT ALLOW THE SHADE TO SLAM AGAINST THE TOP BRACKETS.**

## CARE AND MAINTENANCE

1. Use a quality vinyl cleaner or warm water with a natural soap (never detergent) and gently clean the fabric. Do not scrub. **Do not use bleach or abrasive cleansers.**
2. Allow the fabric to dry thoroughly before retracting.
3. Periodically inspect and tighten any loose screws as necessary.

---

052799-007r3

Carefree of Colorado

EXTERIOR SUNSHADE

---

## CAREFREE MAJOR PRODUCT LIMITED WARRANTY

Carefree of Colorado (hereafter referred to as Carefree) warrants to the first retail Purchaser that the Carefree Product is free of defects in material and workmanship within the terms and conditions as set forth in the warranty statement available online at [www.carefreeofcolorado.com](http://www.carefreeofcolorado.com). Carefree's obligation under this warranty is limited to the repair or replacement, at Carefree's option, of any defective component with new or factory refurbished components.

OWNER MUST RETAIN THE ORIGINAL PROOF OF PURCHASE AND/OR HAVE THE PRODUCT WARRANTY REGISTRATION ON FILE AT CAREFREE FOR WARRANTY CLAIMS.

THIS WARRANTY IS NOT TRANSFERABLE.

**For**

- **Warranty Duration;**
- **Warranty Coverage and Exclusions;**
- **Warranty Terms of Coverage; and,**
- **Warranty Claim Procedures**

Refer to publication

052580-111 "Carefree Major Product Limited Warranty"  
available online at [www.carefreeofcolorado.com](http://www.carefreeofcolorado.com)

*Register your Carefree products on-line at [www.carefreeofcolorado.com](http://www.carefreeofcolorado.com)*

***IMPORTANT NOTICE:*** It is strongly recommended that adjustments and repairs be performed by trained technicians at your Authorized Carefree Dealer. Work performed by non-authorized persons or businesses may void warranty.

**Carefree of Colorado** 2145 W. 6<sup>th</sup> Avenue Broomfield, CO 80020 a **Marmon Holdings** company  
[www.carefreeofcolorado.com](http://www.carefreeofcolorado.com)

---

052799-007r3

