

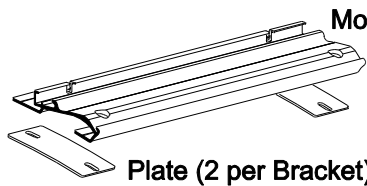
FREEDOM RM ADAPTOR BRACKETS

KIT No: BS0003

HYMER SX

Kits

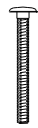
PACKAGE CONTENTS:



Mounting Bracket
 -2 (x2)
 -3 (x3)
 -4 (x4)

Plate (2 per Bracket)

Quantities are per Bracket



M6 x 50 Carriage Bolt (x4)



Spacer (x4)

M6 Nylock Nut (x4)

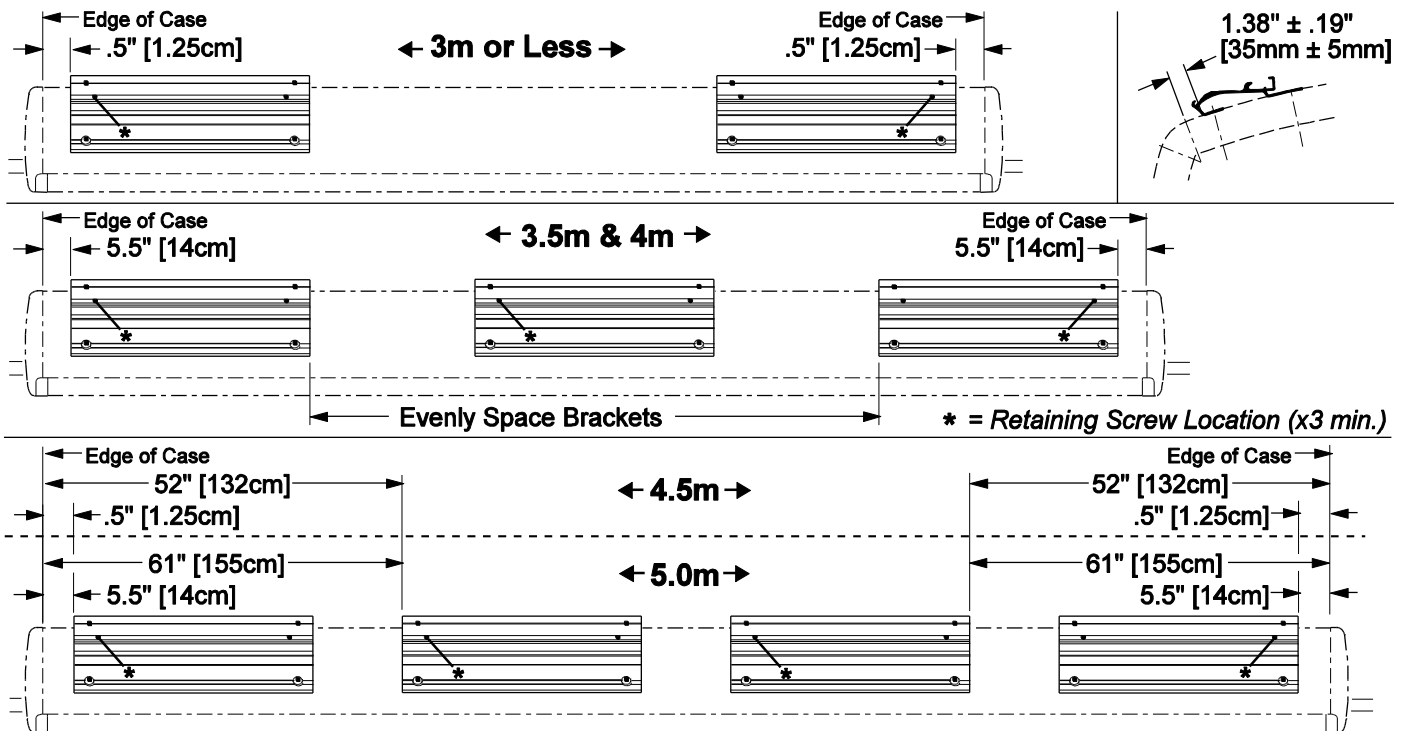


M6 x 20 Screw (x1)

M6 Square Nut (x1)

BS0003b

BRACKET LAYOUT

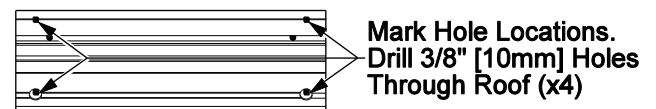


BS0003c

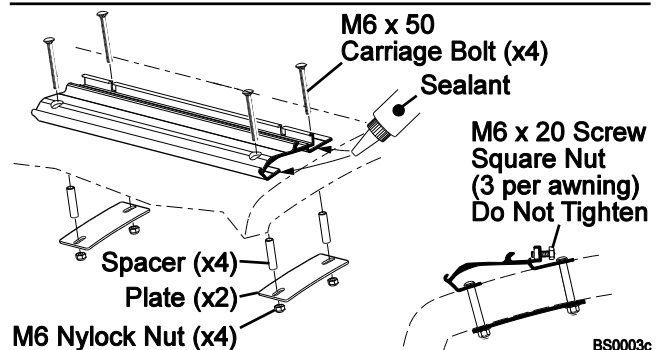
1. Determine the location of the awning.

NOTICE For proper operation of the awning, the brackets must be placed under the arm knuckles. If necessary to position the brackets differently than shown, use the knuckle positions shown in the installation manual.

2. Position the brackets on the roof as shown above.
 - 2.1. Use a non-permanent marking method and make a reference line to keep the brackets aligned.
 - 2.2. On the roof mark the location of the square mounting holes in the brackets. Set brackets aside.
3. Drill four 3/8" (10mm) holes through the roof for each bracket.
4. Coat the bottom of the bracket flanges with a quality urethane or hybrid sealant.
5. Secure each bracket with four (4) each M6 x 50mm carriage bolts, spacers and nylock nuts through the bracket and two (2) underside plates.
6. In the rear track of the mounting brackets, start four (4) M6 x 20 screws and square nuts through the retaining screw holes. Do not tighten at this time.
7. Mount the awning according to the installation manual for the awning.



Mark Hole Locations. Drill 3/8" [10mm] Holes Through Roof (x4)



M6 x 50 Carriage Bolt (x4)
 Sealant
 M6 x 20 Screw Square Nut (3 per awning) Do Not Tighten
 Spacer (x4)
 Plate (x2)
 M6 Nylock Nut (x4)

BS0003c