

**MANUAL CRANK UPGRADE KIT**

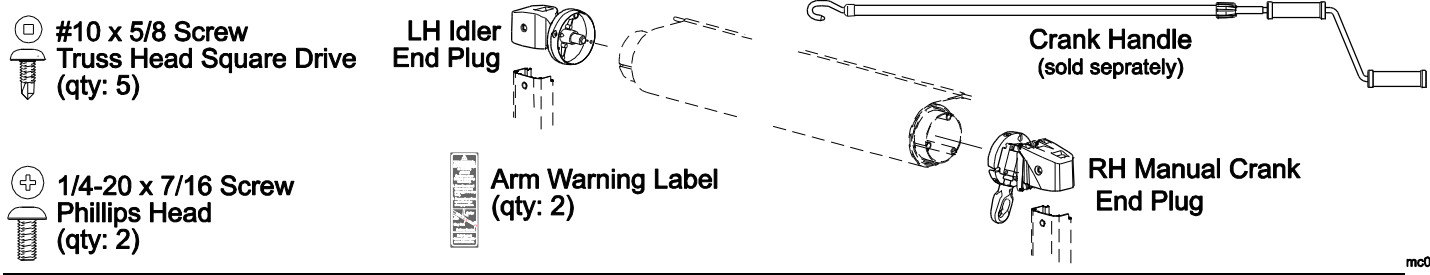


Product style codes: 14, AE, AJ, AK, AL, AM, AN, CK, CW, CX, CZ, DS, DZ, EC, ED, EH, EI, EJ, EK, EL, EM, EN, FL, FM, GY, HM, HW, HX, IL, IM, IU, IY, IZ, JB, JJ, KK, KL, KP, KQ, OS, OT, OU, QJ, QK, QL, UT

**THE MANUAL CRANK ELIMINATES THE NEED FOR SPRINGS AND ROLLER LOCKS.**  
**THIS UPGRADE KIT FITS THE SPIRIT, FIESTA AND SIMPLICITY AWNINGS.**

**RV Kits**

**COMPONENT CHECK LIST**



**REPLACE THE RH END PLUG**

**REMOVE THE EXISTING SPRING**

1. Extend the awning out completely.
2. On the left side, lift and lock the upper brace in position. Insert a cotter pin through the cap and spring (refer to Detail A).
3. On the right arm, grasp the end plug firmly with vice grips.

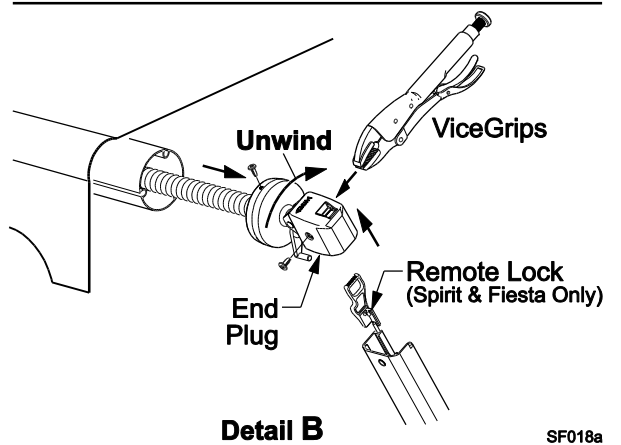
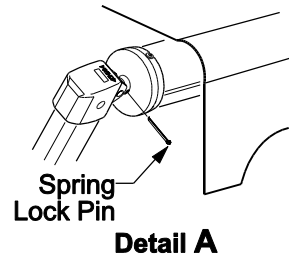
**CAUTION**

**WHEN REMOVED FROM THE ARM, THE SPRING IS UNDER EXTREME TENSION AND WILL UNWIND QUICKLY. KEEP HANDS AND CLOTHING CLEAR WHILE FIRMLY HOLDING THE VICE GRIPS! DO NOT TRY TO HOLD THE END PLUG BY HAND.**

4. Remove the attaching screw and remove the end plug from the arm while firmly holding onto the vice grips.

**NOTE:**

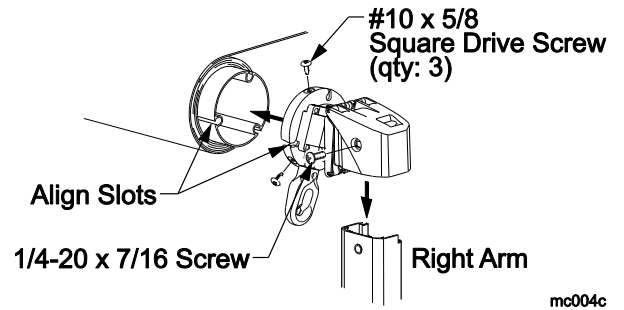
- It will be necessary to hold onto the arm and move it out of the way when the end plug is removed.
  - It will be necessary to support or hold the roll bar during the rest of the procedure.
5. Place the roller lock in the CLOSE position then unwind the spring. To unwind, rotate the end plug over the top and towards the coach.
  6. Remove the screws attaching the end cap to the roller tube.
  7. Remove the spring from the roller tube and set aside.
  8. Slide the remote lock out of the round groove of the right arm and set aside.



**Figure 1. Removing the RH Spring.**

**INSTALL THE MANUAL CRANK END PLUG**

1. On the right end, firmly seat the endcap of the manual crank end plug onto the roller tube. This endcap has 3 access slots to line up with the slots of the roller tube. Attach the endcap and roller tube using three (3) #10 x 5/8 square drive screws.
2. Insert the RH arm channel into the end plug. Align the hole in the end plug with the threaded hole in the arm.
3. Attach the arm and end plug using one (1) 1/4-20 x 7/16 phillips head screw.
4. Remove the cotter pin in the LH end plug that was inserted previously.

**Figure 2. Attaching the Manual Crank.**

**REPLACE THE LH END PLUG**

**Special Note:** The LH spring can be left in the roller tube. The spring will then act as an assist when retracting the awning. It is not necessary to have a spring for proper operation. The directions below replace the LH spring with a new idler end plug.

**REMOVE THE EXISTING SPRING**

1. On the right side, lift and lock the upper brace in position.
2. On the left side, release and lower the upper brace out of the way.
3. On the left arm, grasp the end plug firmly with vice grips.

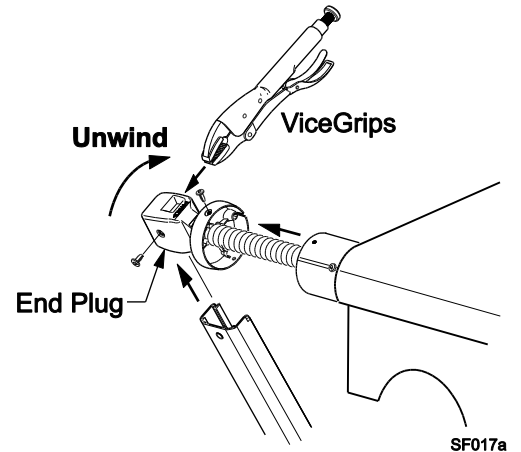
**⚠ CAUTION**

**WHEN REMOVED FROM THE ARM, THE SPRING IS UNDER EXTREME TENSION AND WILL UNWIND QUICKLY. KEEP HANDS AND CLOTHING CLEAR WHILE FIRMLY HOLDING THE VICE GRIPS! DO NOT TRY TO HOLD BY HAND.**

4. Remove the attaching screw and remove the end plug from the arm while firmly holding onto the vice grips.

**NOTE:**

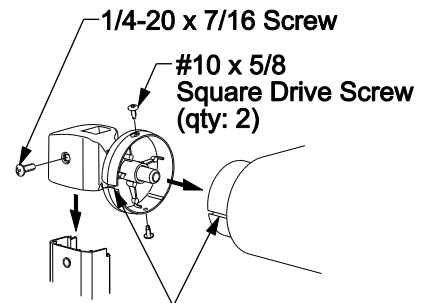
- It will be necessary to hold onto the arm and move it out of the way when the end plug is removed.
  - It will be necessary to support or hold the roll bar during the rest of the procedure.
5. Unwind the spring. To unwind, rotate the end plug over the top and towards the coach.
  6. Remove the screws attaching the end cap to the roll bar. Set screws aside.
  7. Remove the spring from the roll bar and set aside.



**Figure 3. Removing the LH Spring.**

**INSTALL THE MANUAL CRANK END PLUG**

1. Orient the end cap of the new idler end plug with the roller tube. The access slot of the end cap must align with the roller tube slot that has the canopy polyrod.
2. Firmly seat the endcap on the roller tube and attach using two (2) #10 x 5/8 square drive screws.
3. Insert the arm channel into the end plug. Align the hole in the end plug with the threaded hole in the arm.
4. Attach the arm and end plug using one (1) 1/4-20 x 7/16 phillips head screw.



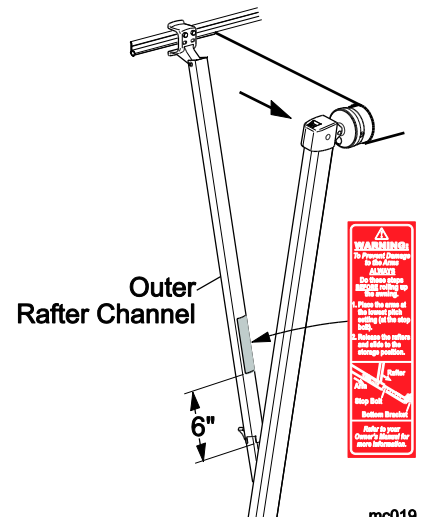
**Align the Cap Access Slot and the Roller Slot w/ the Polyrod**  
mc004d

**Figure 4. Attaching the Idler End Plug.**

**ADD THE ARM OPERATION WARNING LABEL**

A warning label is included to advise awning operators of the correct method of collapsing the arms to prevent damage to the arm channels when rolling up the awning.

1. Open the awning to access the outer rafter channel.
2. Clean the rafter arm surfaces.
3. Place the label on the outer rafter channel on the side opposite the tensioning knob.
4. Repeat for the second arm.



This completes the conversion for the Manual Crank Upgrade Kit. For operation, follow the directions in the owner's manual (052561-201, Manual Crank Patio Awning - Available on-line at [www.carefreeofcolorado.com](http://www.carefreeofcolorado.com))