



## SERVICE MANUAL

# SOKIII & SUMMIT

Product Style Codes: BC, BD, BE, BF, BH, BK, BL, BN, BP, UP, UQ, ZL, ZM

## SLIDEOUT COVER

**RV**



Read this manual before servicing this product. Failure to follow the instructions and safety precautions in this manual can result in personal injury and/or cause the product to not operate properly.

**THIS MANUAL CONTAINS INFORMATION FOR: SOKIII, SOKIII XL  
SUMMIT, SUMMIT XL  
SUMMIT FI, AND SUMMIT FIXL**

**IMPORTANT NOTE:** The Summit series of slideout covers have been discontinued and has limited replacement parts. The Summit series slideout covers can be converted to an SOKIII slideout cover by removing the lift bar mechanism – refer to page 13.



*SOKIII Shown with Front Cover*

***These instructions apply to all models listed. Details and procedures unique to a specific model are labeled appropriately***

## PROPRIETARY STATEMENT

The SOKIII and Summit series of Side-Out Room Covers is a product of Carefree of Colorado, located in Broomfield, Colorado, USA. The information contained in or disclosed in this document is considered proprietary to Carefree of Colorado. Every effort has been made to ensure that the information presented in the document is accurate and complete. However, Carefree of Colorado assumes no liability for errors or for any damages that result from the use of this document.

The information contained in this manual pertains to the current configuration of the models listed on the title page. Earlier model configurations may differ from the information given. Carefree of Colorado reserves the right to cancel, change, alter or add any parts and assemblies, described in this manual, without prior notice.

Carefree of Colorado agrees to allow the reproduction of this document for use with Carefree of Colorado products only. Any other reproduction or translation of this document in whole or part is strictly prohibited without prior written approval from Carefree of Colorado.

## SAFETY INFORMATION



This is the safety alert symbol. It is used to alert individuals to potential personal injury hazards. Obey all safety messages that follow this symbol to avoid possible personal injury or death.



Indicates a hazardous situation, which if not avoided, could result in death or serious bodily injury.



Indicates a hazardous situation, which if not avoided, may result in minor or moderate bodily injury.



Indicates a situation that may result in equipment-related damage.

### General Safety:



This product can expose you to chemicals including Di-isodecyl phthalate (DIDP), Vinyl Chloride and Formaldehyde, which are known to the state of California to cause cancer or birth defects or other reproductive harm. For more information visit [www.P65warnings.ca.gov](http://www.P65warnings.ca.gov)



Shock Hazard. Always disconnect battery or power source before working on or around the electrical system.



Always wear appropriate safety equipment (i.e. goggles).



Always use appropriate lifting devices and/or helpers when lifting or holding heavy objects.



When using fasteners, do not over tighten. Soft materials such as fiberglass and aluminum can be "stripped out" and lose the ability to grip and hold.

# TABLE OF CONTENTS

- Product Overview ..... 2**
- The Front Cover ..... 3**
  - For Rooms Under 191" ..... 3
    - To Open the Cover ..... 3
    - To Remove the Cover ..... 3
    - Attaching the Front Cover ..... 3
  - For XL Models ..... 5
    - Removing the Cover ..... 5
    - Attaching the Front Cover ..... 6
  - Cover Bumpers ..... 7
- End Cap Replacement ..... 8**
  - Notes on Using an Existing Cover ..... 8
- Canopy and Spring Replacement ..... 9**
  - Preliminary Steps (All Replacements) ..... 9
  - Replacing the Canopy ..... 10
  - Replacing the Spring ..... 11
  - Replacing the XL Roller tube ..... 12
- Removing the Lift Bar Components ..... 13**
- Standard Maintenance ..... 14**
  - Fabric Care ..... 14
    - Mildew ..... 14
    - Pooling ..... 14
  - Hardware Maintenance ..... 14
- Part Number Listing ..... 16**
  - Part Number/Serial Number Location ..... 16
  - SOK III Illustrated Parts List ..... 16
  - Summit FI Illustrated Parts List ..... 18
  - Basic Summit Illustrated Parts List ..... 20

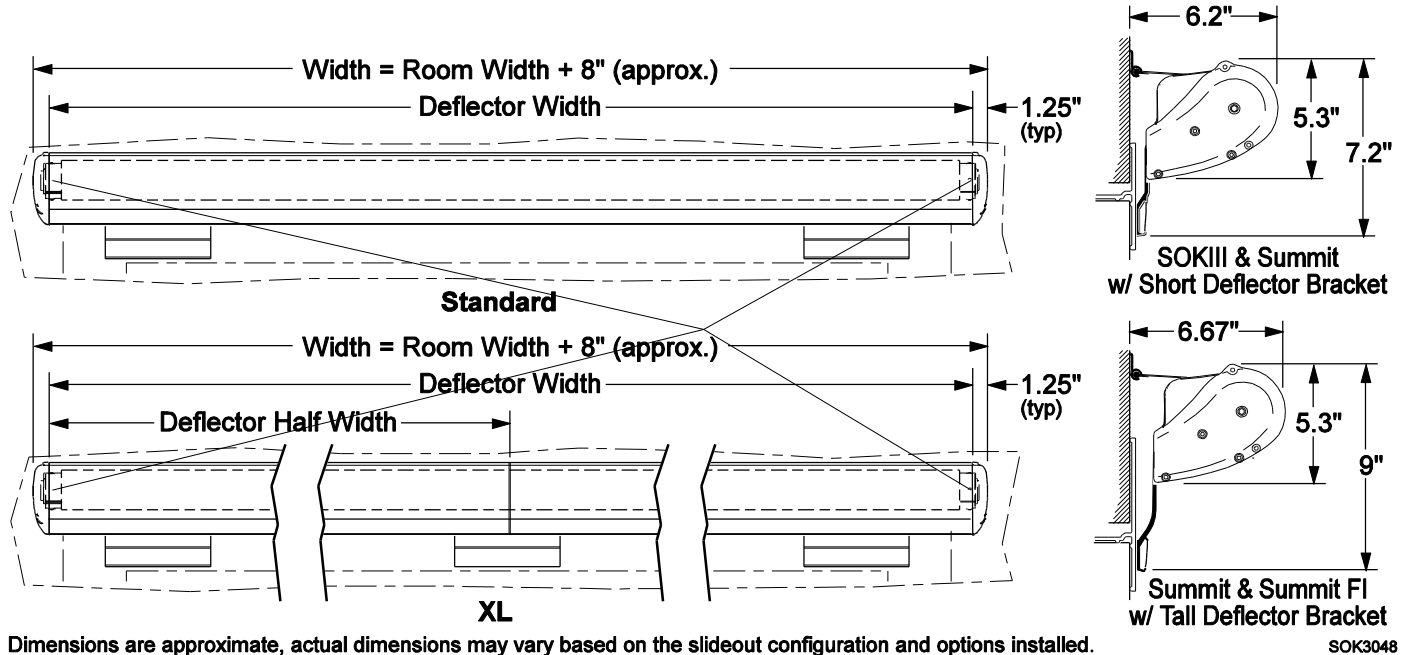
## PRODUCT OVERVIEW

**SOKIII:** Provides a slideout cover with clean, stylized appearance with a standard integrated deflector. No locks or anti-billow hardware is required. This style is available for standard and XL widths.

**Summit:** Discontinued. The Summit employed a unique lift bar system to provide a peaked contour to the fabric when the room is open; yet stored beneath the fabric when the room is closed. The lift bar system has been discontinued. The summit was available in 4 versions: Standard Summit; Summit XL; Summit FI and Summit FIXL.

The Summit awnings may be converted to the SOKIII by removing the lift bar system. Refer to page 13.

**Front Cover (Case):** The cover is available for all versions of the SOKIII & Summit. When installed, it provides a closed case for the roller tube and fabric. The cover can be easily opened and/or removed for cleaning and service.

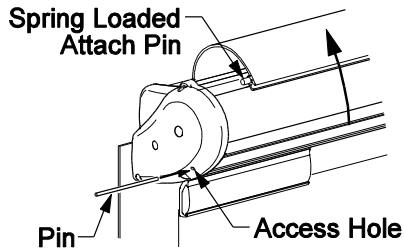


## THE FRONT COVER

### FOR ROOMS UNDER 191"

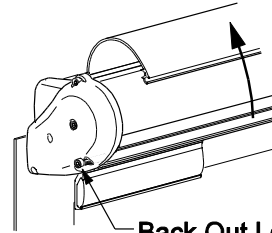
#### To Open the Cover

For ease of cleaning, the front cover can be rotated out of the way. Two methods are used to attach the front cover. Early Summits use spring-loaded pins that project from the cover and into the end cap. SOK III's and current Summits use screws that are threaded through the end cap and project into the cover.

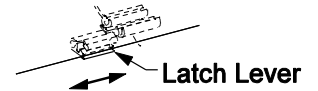


#### Spring Loaded Pin Attach

1. *For covers 12 feet and longer:* Locate the latch lever at the center of the cover. Using a screw driver or similar tool, push the lever to the left and hold; carefully pull the center of the cover out until the pin clears the latch.
2. *For spring-loaded pins:* Using a small pin through the lower access hole in one end cover, press in the lower attach pin then pivot the cover until the pin clears the hole. Repeat for the other end then rotate the cover out of the way.
3. *For threaded screws:* Unscrew the lower allen head screw until the end of the screw clears the cover. Repeat for other side then rotate the cover out of the way.



#### Threaded Screw Attach



#### Center Latch Pin 12' or Longer Covers Only

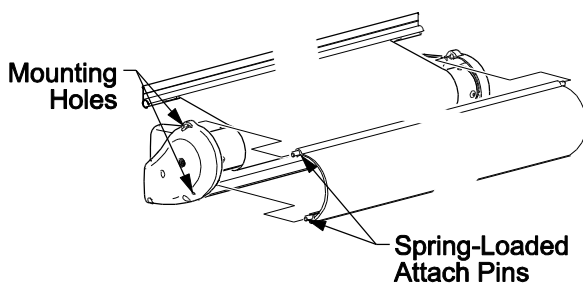
SOK3005b

#### To Remove the Cover

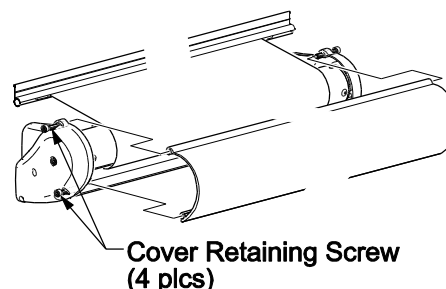
1. *For covers 12 feet and longer:* Locate the latch lever at the center of the cover. Using a screw driver or similar tool, push the lever to the left and hold; carefully pull the center of the cover out until the pin clears the latch.
2. *For spring-loaded pins:* Using a small pin through the lower access hole in one end cover, press in the lower attach pin then carefully pull the cover until the pin clears the hole. Then do the same for the upper pin. Repeat the process of the other end and set the cover aside.
3. *For threaded screws:* Unscrew the allens head screws in both end caps until the end of the screws clears the cover, it is not necessary to remove the screws from the end caps. Repeat for other side then lift the cover up and set aside.

#### Attaching the Front Cover

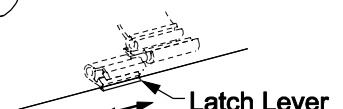
Two methods are used to attach the cover. The first method uses spring-loaded pins that project from the cover and into the end cap. This design has been discontinued in 2007. The second method uses screws that thread through the end cap and project into the cover.



#### Method 1 - Spring-Loaded Pin Attach



#### Method 2 - Screw Attach



#### Center Latch Pin 12' or Longer Covers Only

SOK3046

Method 1 Spring-Loaded Pin Attach:

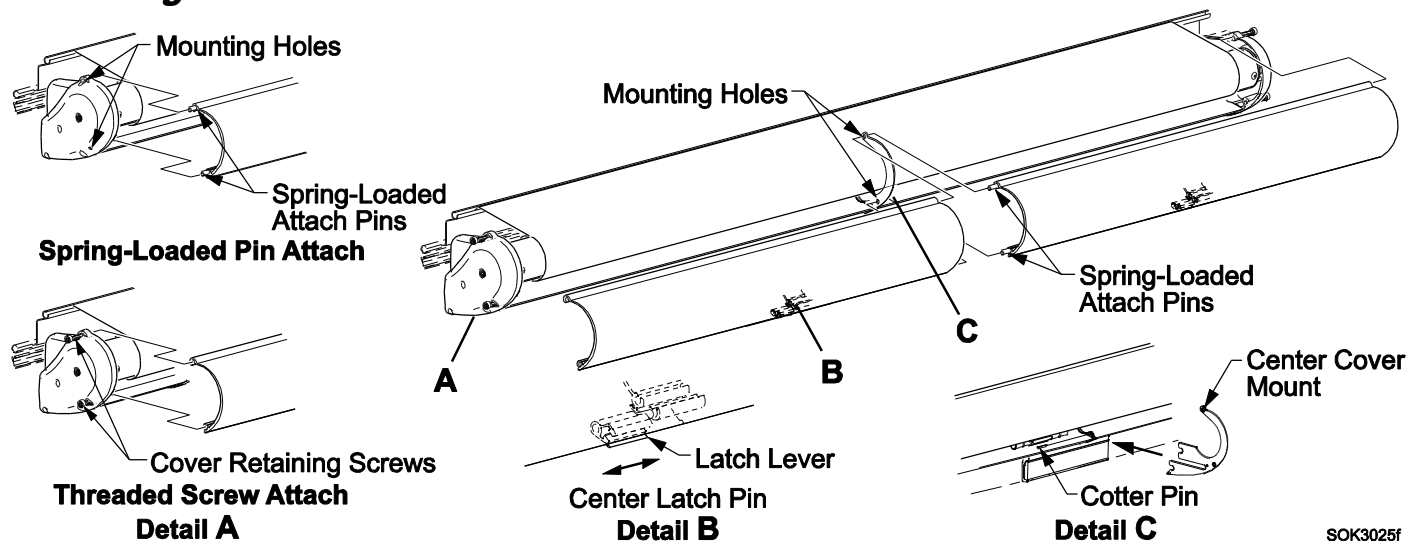
1. Place the top pin of one end of the cover into the mounting hole of the end cap.
2. On the other end of the cover, press the top pin into the cover and set the cover into position. Adjust the position until the pin springs out and into the mounting hole of the second end cap.
3. Repeat the procedure for the bottom pins.
4. *For covers 12 feet and longer:* Locate the latch lever at the center of the cover. Using a screw driver or similar tool, push the lever to the left and hold; press the cover into position then release the latch lever. The latching pin is spring loaded and will slide into the locking channel.

Method 2 Screw Attach:

1. If removed, thread the 1/4-20 x 1 1/2 socket head screws into the end caps. On one side thread the screws until flush with the inside of the end cap. On the other side, thread the screws until they project out of the end cap approximately 1/2".

**NOTE: If replacing the end caps: the bottom screw holes are threaded at the factory. It will be necessary to force-thread the top holes in the end cap using the supplied screws.**

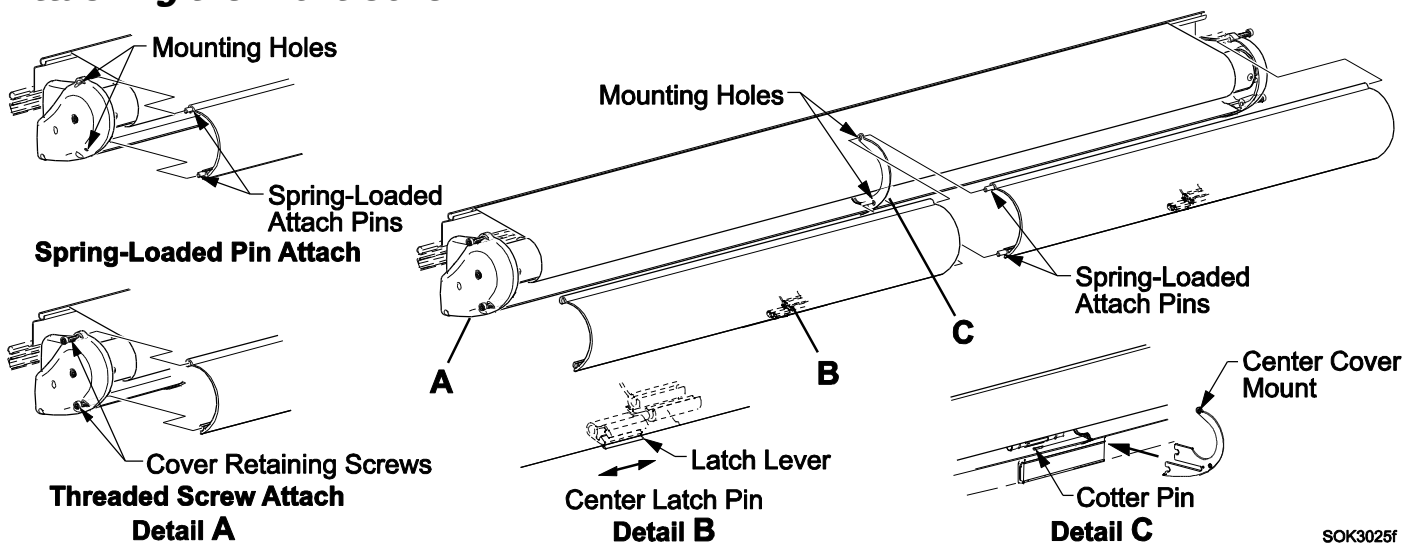
2. Lift the cover up and place one end over the screws that project out of the end cap. The screws fit into the slots of the cover.
3. Align the cover with the other end cap and thread in all the attach screws thru the end caps and into the cover. Hand-tighten only.
4. *For covers 12 feet and longer:* Locate the latch lever at the center of the cover. Using a screw driver or similar tool, push the lever to the left and hold; press the cover into position then release the latch lever. The latching pin is spring loaded and will slide into the locking channel.

**FOR XL MODELS****Removing the Cover**

SOK3025f

1. Remove the LH half of the front cover.
  - 1.1 Locate the latch lever at the center of the cover. Using a screw driver or similar tool, push the lever to the left and hold; carefully pull the center of the cover out until the latch pin cannot engage the locking channel.
  - 1.2 *For spring-loaded pins:* Using a small pin through the access holes in the LH end cover, press in the lower attach pin then carefully pull the cover until the pin clears the hole. Repeat for top hole. Lift the cover up and away from the center cover mount. Set cover aside.
  - 1.3 *For threaded screws:* Unscrew the allens head screws in the LH end cap until the end of the screws clears the cover, it is not necessary to remove the screws from the end caps. Pull the cover up and away from the center cover mount. Set cover aside.
2. Remove the RH half of the front cover.
  - 2.1 Locate the latch lever at the center of the cover. Using a screw driver or similar tool, push the lever to the left and hold; carefully pull the center of the cover out until the latch pin cannot engage the locking channel.
  - 2.2 *For spring-loaded pins:* Press in the attach pins in the center cover mount and lift the cover up until the pins clear the holes. Pull the cover from the RH end cap. Set cover aside.
  - 2.3 *For threaded screws:* Unscrew the allens head screws in the RH end cap until the end of the screws clears the cover, it is not necessary to remove the screws from the end caps. Pull the cover up and away from the center cover mount. Set cover aside.
3. For fabric replacement or roller tube service, remove the cotter pin and center cover mount. Set parts aside.

## Attaching the Front Cover



1. If removed, insert the center cover mount into the deflector splice and around the rolled fabric. Secure with the cotter pin removed earlier.

### For Spring-Loaded Pin Mounts:

2. Examine the two cover halves. The RH half has spring loaded attachment pins on both ends; the second half has pins on one end only.
3. Lift the RH cover up and set the pins into the mounting holes of the RH end cap.
4. In the center, press the pins into the cover and set into position. Adjust the position until the pins pop out through the mounting holes of the center support.
5. Lift the second cover half up and slide the inside end onto the protruding attach pins of the first cover.
6. At the LH end cap, press the pins into the cover and set cover into position. Adjust the position until the pins pop out into the mounting holes of the end cap.
7. Locate the latch lever at the center of the covers. Using a screw driver or similar tool, push the lever to the left and hold; press the cover into position then release the latch lever. The latching pin is spring loaded and will slide into the locking channel.

### For Threaded Screw Mounts:

2. Examine the two cover halves. One half has spring loaded attachment pins on one end, the second has none. Lift the first cover half with the pins and insert the pins through the mounting holes of the center cover support.
3. Align the cover with the RH end cap and screw the cover retaining 1/4-20 x 1 1/2 socket head screws through the end cap and into the cover. Hand-tighten only.
 

**NOTE:** If replacing the end caps: the bottom screw holes in the end caps are threaded at the factory. It will be necessary to force-thread the top holes in the end cap using the supplied screws.
4. Lift the second cover half up and slide the inside end onto the protruding attach pins of the first cover.
5. Align the second cover with the end cap and screw the cover retaining screws through the end cap and into the cover. Hand-tighten only.
6. Locate the latch lever at the center of the covers. Using a screw driver or similar tool, push the lever to the left and hold; press the cover into position then release the latch lever. The latching pin is spring loaded and will slide into the locking channel.

## COVER BUMPERS

The cover is shipped with bumpers to prevent rattling. Quantities are two (2) for units under 10"; three (3) for units 10' to 14' and five (5) for units 14' and longer.

To replace missing or damaged bumpers:

For awning bumpers produced before 2021

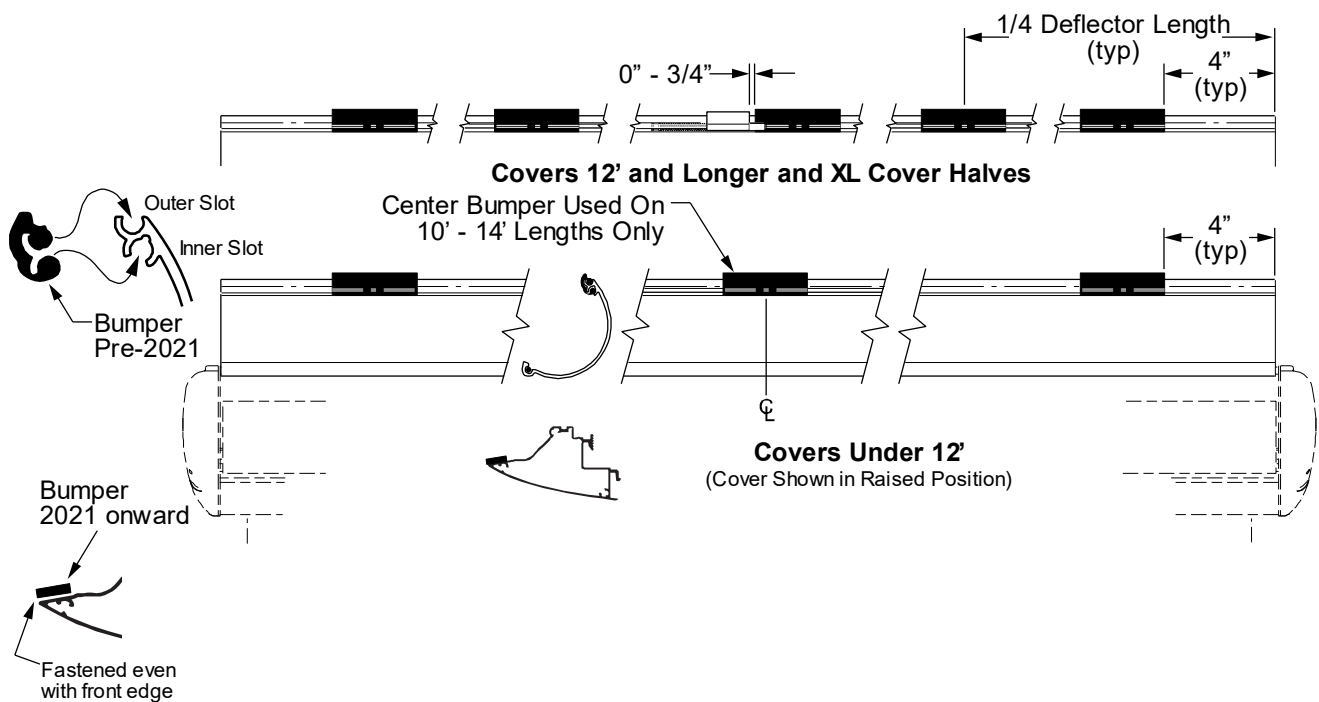
1. In the positions shown, fully press the first round section into the inner slot. This is the same slot that the latch springs or cover attach screws mount in. Please note the orientation of the bumper.

*Tip: Press one end of the bumper into the slot. While holding the bumper in place, gently stretch the bumper. This will temporarily make the diameter smaller and easier to press into the slot.*

2. Stretch the bumper around and press the second round section into the outer slot.

For awning bumpers produced 2021 and later

1. Wipe deflector surface clean with 50% alcohol solution
2. Firmly press bumper onto deflector, aligning front edge of bumper with front edge of deflector.

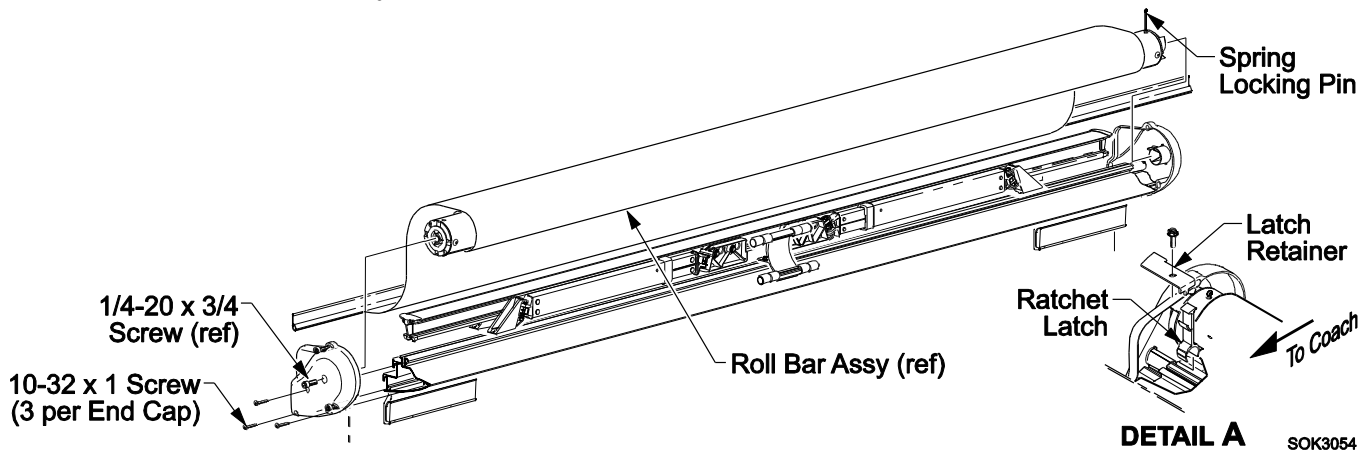


SOK3039b

## END CAP REPLACEMENT

### NOTES:

- All replacement end caps use the threaded screw mounts for the cover. All replacement covers are attached using the threaded screw mounts. Refer to the illustration on page 3.
- For first time replacement of end caps used with the spring-loaded pin cover attach, it will be necessary to replace both end caps.
- The original cover with spring-loaded pins is no longer available as a replacement part. If it is necessary to replace the cover, it will also be necessary to replace the end caps (both). Mounting screws are included with the end caps.
- If replacing a cover with the spring-loaded pins, it will be necessary to replace the end caps for the threaded screw mount style.



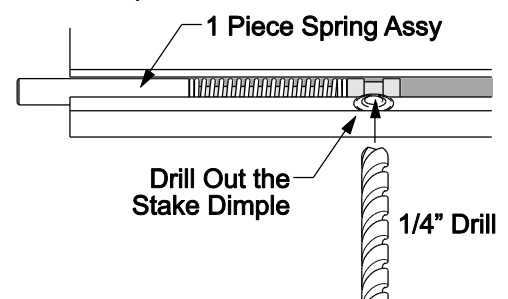
- Remove the front cover if installed (refer to page 3 or page 5 for XL models).
- Insert a 3 inch cotter pin through the roller tube and spring on the right end of the roller tube. It may be necessary to twist the roller tube to align the holes. Bend the ends over to ensure the pin does not accidentally come out.
- For older units with the ratchet latch (Detail A):* Remove the latch retainer and latch. These will not be reused.
- Remove the 1/4-20 x 3/4 socket head cap screw from the left end cap. Lift the left end of the roller tube and pull the roller tube out of the right end cap. Set the roller tube and fabric out of the way (i.e. on the roof). It is not necessary to remove from the vehicle.
- Remove the attaching screws and end caps and set aside.
- Install the new end caps.
- Roll up any slack material onto the roller tube and install the roller tube into the new end caps.
- Attach the front cover (refer to page 3 or page 6 for XL models).

**NOTE:** For first time installation with the replacement end caps: The bottom screw holes are threaded at the factory. It will be necessary to force-thread the top holes in the end cap using the supplied screws. The screws do not thread into the cover.

### Notes on Using an Existing Cover

Existing covers with the spring-loaded pins can be used with the thread style end caps by pulling the spring-pins out of the cover; most pins can be removed with a pair of pliers. Some later models in 2007 uses a 1-piece spring assy. This assembly is staked into the cover and will not pull out.

- To remove these pins, set the cover onto a padded surface (to avoid scratches).
- Using a 1/4" drill, carefully drill out the stake. The pin assembly can then be removed.
- Be sure to deburr and clean the drilled area and remove all debris and sharp projections that could damage the canopy when the room is closed.



## CANOPY AND SPRING REPLACEMENT

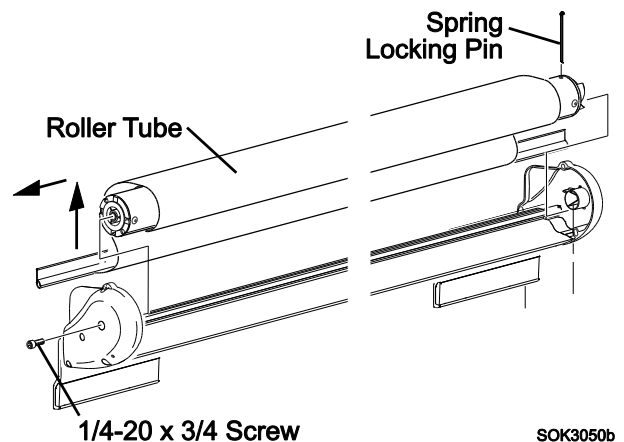
**CAUTION** These procedures deal directly with the pre-wound spring tension in the roller tube. Failure to exercise care and/or failure to follow the instructions can result in personal injury and/or property damage. If the spring is prematurely released, the roller tube can spin out of control and cause personal injury and/or property damage.

The following procedures require two people to handle the extrusions and to add winds to the spring.

### PRELIMINARY STEPS (ALL REPLACEMENTS).

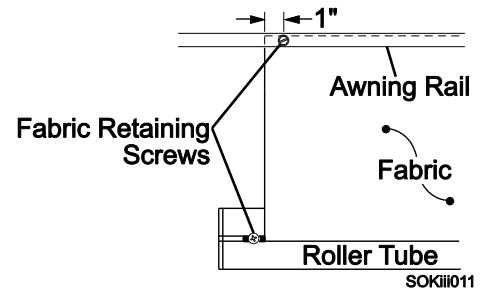
1. Close the room if open.
2. Remove the front cover if installed.
3. Insert a 3" cotter pin through the roller tube and spring on the right end of the roller tube. It may be necessary to twist the roller tube to align the holes. Bend the ends over to ensure the pin does not accidentally come out.
4. For XL Models: Remove the cotter pin and center cover mount. Set parts aside. See illustration on page
5. Remove the 1/4-20 socket head screw from the left end cap and set aside. Do not discard.
6. Lift the roller tube up and out of the deflector case. To lift the roller tube, lift the left end first then slide the roller tube out of the right end cap.
7. Unroll the fabric from the roller tube.
8. Remove the fabric retaining screws in the roller tube then slide the roller tube to the right and off of the fabric. Fabric can only be removed from the left end of the roller tube. Set roller tube and screws aside.
9. If not replacing the fabric, fold the fabric on top of the vehicle and out of the way. If replacing the fabric, go to "Replacing the Canopy".

If replacing the spring, go to "Replacing the Spring".



## REPLACING THE CANOPY

1. Follow the "Preliminary Steps" on page 9.
2. Remove the retaining screws from the awning rail and remove the old canopy from the vehicle.
3. Slide the white polyrod and fabric of the new canopy into the awning rail. Center the fabric over the room.
4. Slide the roller tube on to the fabric (black polyrod). The fabric can only be inserted from the LEFT end of the roller tube.
5. Center the fabric and roller tube and secure using two (2) #6 x 3/8 phillips head screws through the polycord and roller tube. Do not put the screws through the fabric.
6. Roll the fabric onto the roller tube. The fabric goes over the top of the roller tube toward the vehicle.
7. Roll up the slack material onto the roller tube.



**NOTICE** Failure to roll up the slack before installing the roller tube will reduce the spring tension. Reduced spring tension may cause the fabric to sag and not roll up correctly when the room is closed.

8. Slide the right end of the roller tube into the right end cap then set the left end of the roller tube into the left end cap. Attach with one (1) 1/4-20 x 3/4 socket head screw through the left end cap.
9. *For XL Models:* Insert the center cover mount into the deflector splice and around the rolled fabric. Secure with a new cotter pin.

**CAUTION** When the pin is removed, the roller tube spring will quickly roll up any slack material. Use care that hands and fingers are out of the way.

10. Firmly grasp the roller tube and fabric then remove the spring locking pin inserted on the spring end of the roller tube. Allow the spring to tension the fabric slowly while releasing the roller tube.
11. Open and close the room to ensure that the fabric is rolling up straight on the roller tube. For existing canopies it may be necessary to remove the retaining screws from the awning rail and straighten the fabric as required.
12. Secure the fabric to the awning rail with two (2) #6 x 3/8 hex head screws.
13. Install the cover(s) if removed previously.

## REPLACING THE SPRING

1. Follow the "Preliminary Steps" on page 9.
2. Remove the existing spring winds.

*Tip: Use a pair of good quality work gloves to protect the hands while holding onto the roller tube. Insulated rubber gloves provide a solid grip.*

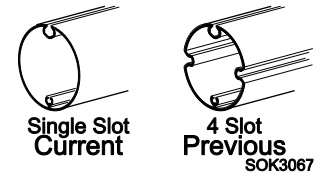
- 2.1. Firmly hold onto the roller tube.

**CAUTION** The spring is wound and under tension. When the pin is removed, the spindle will turn rapidly. To avoid personal injury, keep hands away from the spindle until the spring has unwound.

- 2.2. Remove the cotter pin and allow the spring to unwind. Save the cotter pin for use later.

3. After the spring is unwound, drill out the rivets holding the RH bearing and spring assembly and remove

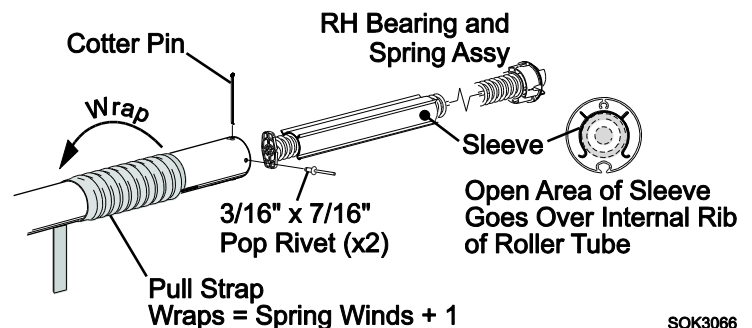
**NOTE:** Springs used with the current (including replacements) single slot roller tube has a snap on sleeve to reduce noise when the slideout room is open and closed. If there is a sleeve on the old spring, remove the sleeve and snap over the new replacement spring. The sleeve is not used with previous roller tube configurations.



4. Fully insert the new RH bearing and spring assembly into the roller tube. Fasten the bearing to the roller tube with two (2) 3/16 x 7/16" pop rivets.

5. Slide the supplied pull strap rod into an empty fabric slot and down to the RH end of the roller tube. Wrap the strap around the roller tube as shown. The strap should hang down from backside of the tube. The number of wraps should equal the number of required spring winds plus 1 (i.e. spring winds = 15 + 1 = 16 wraps).

6. Lift the assembled roller tube (no fabric) up and install into the deflector assembly. Slide the right end of the roller tube into the right end cap then set the left end of the roller tube into the left end cap. Attach with one (1) 1/4-20 x 3/4 socket head screw through the left end cap.
7. Pull the strap and count the number of complete rotations of the roller tube.



*Tip: Place a small piece of tape next to the cotter pin hole to aid in counting the revolutions.*

Each full rotation of the roller tube is equal to one wind of the spring. Continue to rotate the roller tube until the appropriate number of spring winds is achieved.

for lengths 191" & under (R001165) = 15 winds see note 1

for XL lengths 192" & longer (R001165XL) = 12 winds see note 2

8. While firmly holding the strap; have a second person insert a cotter pin through the roller tube and spring on the right side. It may be necessary to rotate the roller tube to align the holes. Bend the ends over to ensure the pin does not accidentally come out.
9. Remove the roller tube from the deflector.
10. Remove the pull strap from the roller tube.
11. If the fabric was removed from the vehicle: Follow the instructions for "Replacing the Canopy" on page 10.
12. If the fabric was left on the vehicle: Follow the instructions for "Replacing the Canopy" on page 10. Start at step 3.

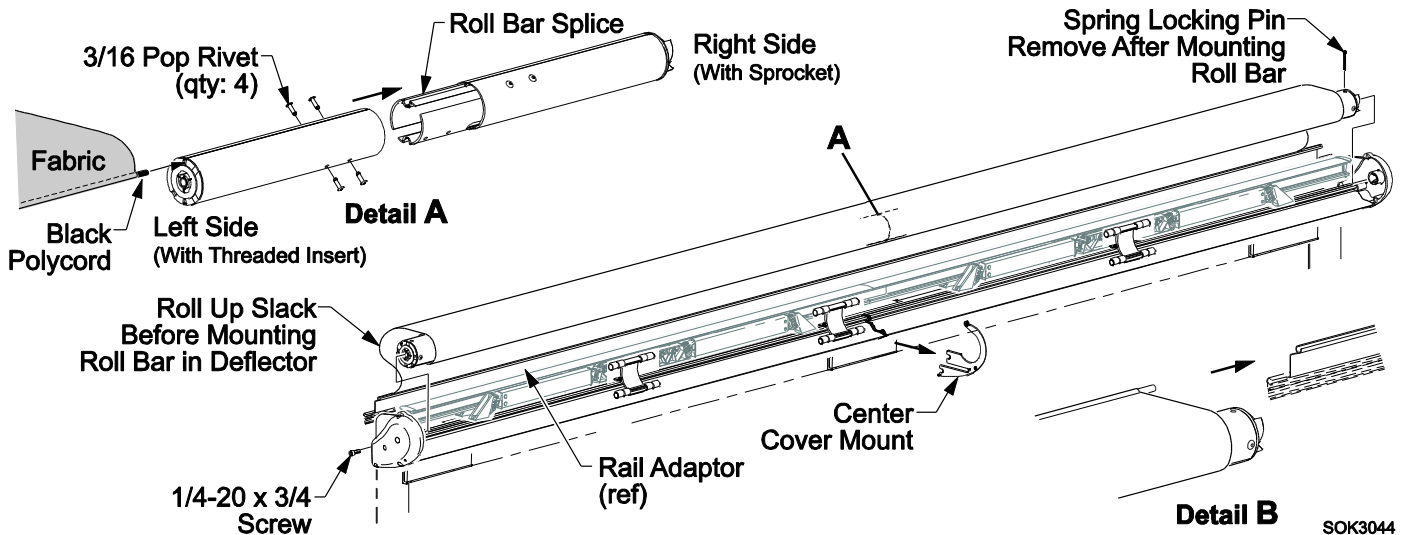
<sup>1</sup> Replacement springs (R001165) for the standard SOKIII are now made with a heavier wire (.148") and marked with yellow in the center of the spring. Use the spring winds listed above. If using or reusing an older spring (identified with no yellow mark, wire diameter = .135") the spring winds are: for lengths 96" and under = 14 winds; for lengths 97" – 191" = 21 winds.

<sup>2</sup> Replacement springs (R001165XL) for the SOKIII XL are now made with a heavier wire (.156") and marked with orange in the center of the spring. Use the spring winds listed above. If using or reusing an older spring (identified with a yellow mark in the center of the spring), the spring winds = 15.

## REPLACING THE XL ROLLER TUBE

If the roller tube exhibits recognizable bowing then it is recommended that it be replaced with an updated roller tube assembly. Part number for the complete roller tube assembly is 33xxx. The replacement assembly includes the roller tube halves, rivets, end caps and pre-wound spring.

**NOTE:** Because of the length of the XL roller tube, the process requires 2-3 people.



1. Assemble the new roller tube:
  - 1.1. (*Detail A*) Slide the roller tube halves together. The splice is a tension fit. It may be necessary to tap one end of the roller tube to press the two halves together. Align the predrilled rivet holes in the roller tube and the splice.
 

**NOTICE**

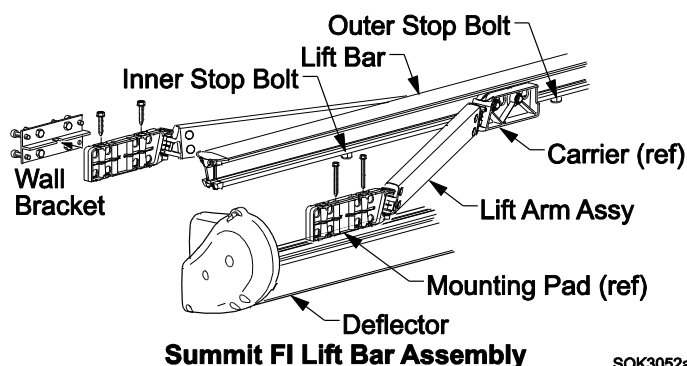
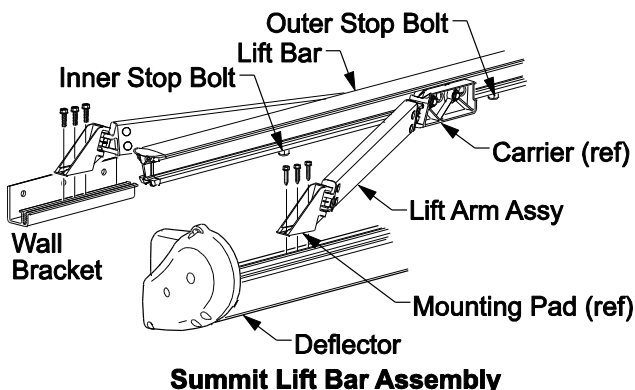
 Use care to not bend or distort the roller tube. If it is necessary to tap the end of the roller tube, use care to not damage the endcap.
  - 1.2. Attach the roller tube half to the splice using four (4) 3/16" pop rivets.
 

**NOTE:** If the rivets holes are slightly misaligned, use a #10 drill bit and ream the holes to allow the pop rivet to be pushed in.
2. Close the room if open.
3. Remove the front covers.
4. Insert a cotter pin through the old roller tube and spring on the right end. It may be necessary to twist the roller tube back and forth to align the holes. Bend the ends over to ensure the pin does not accidentally come out.
5. Remove the center cover mount from the deflector. Save the bracket and cotter pin.
6. Remove the 1/4-20 socket head screw from the left end cap and set aside. Do not discard.
7. Lift the roller tube up and out of the deflector case. To lift the roller tube, lift the left end first then slide the roller tube out of the right end cap.
8. Unroll the fabric from the roller tube.
9. Remove the fabric screws in the roller tube and set aside.
10. Slide the roller tube to the right while holding the fabric. The fabric can only be removed through the left end of the roller tube. Set the roller tube aside. The fabric can hang down the side of the vehicle.
11. If the fabric was removed from the vehicle: Follow the instructions for "Replacing the Canopy" on page 10.
12. If the fabric was left on the vehicle: Follow the instructions for "Replacing the Canopy" on page 10. Start at step 3.

## REMOVING THE LIFT BAR COMPONENTS

**NOTE:** Replacement lift arms and arm assemblies are no longer available. The Summit and Summit FI can be converted to the SOKIII by removing the lift arm assemblies and hardware.

These instructions apply to the Summit and Summit FI.



SOK3052a

1. Close the room if open.
2. Remove the front cover (refer to page 3).
3. *For XL Models:* Remove the cotter pin and center cover mount. Set parts aside.
4. Insert a 3 inch cotter pin through the roller tube and spring on the right end of the roller tube. It may be necessary to twist the roller tube to align the holes. Bend the ends over to ensure the pin does not accidentally come out.
5. Remove the 1/4-20 socket head screw from the left end cap and set aside. Do not discard.
6. Lift the roller tube up and out of the deflector case. To lift the roller tube, lift the left end first then slide the roller tube out of the right end cap. Set the roller tube and fabric on the roof out of the way.
7. Loosen and remove the outer stop bolts.
8. Loosen and remove the inner stop bolts.
9. Slide the lift bar out of the carriers.
10. Remove the screws from the inner and outer mounting pads and save.
11. Remove the brackets from the vehicle wall. Seal the holes with a quality silicone sealant.
12. Roll up the slack material onto the roller tube.

**NOTICE** Failure to roll up the slack before installing the roller tube will reduce the spring tension. Reduced spring tension may cause the fabric to sag and not roll up correctly when the room is closed.

13. Slide the right end of the roller tube into the right end cap then set the left end of the roller tube into the left end cap. Attach with one (1) 1/4-20 x 3/4 socket head screw through the left end cap.
14. Firmly grasp the roller tube and fabric then remove the spring lock cotter pin inserted on the spring end of the roller tube. Allow the spring to tension the fabric slowly while releasing the roller tube.
15. Open and close the room to ensure that the fabric is rolling up straight on the roller tube. For existing canopies it may be necessary to remove the retaining screws from the rail adaptor, Straighten the fabric as required.
16. *For XL models:* Reattach the center cover mount.
17. Reattach the covers.

## **STANDARD MAINTENANCE**

Maintaining a Carefree SOKIII or Summit slideout cover is easy. Just follow these basic steps:

- Periodically check that the fasteners are tight. Tighten if necessary.
- Keep the awning fabric and lift arms clean.

### **FABRIC CARE**

**NOTICE** Do not use oil based cleaners or any caustic, granulated, or abrasive type cleaners on your Carefree product.

1. One of the best ways to keep the fabric looking good and to delay the need for deep or vigorous cleanings is to hose fabrics off on a monthly basis with clear water. This practice will help prevent dirt from becoming deeply imbedded in the fabric. In most environments, a thorough cleaning will be needed every two to three years.
2. When it's time for a thorough cleaning, the fabric can be cleaned while still on the awning frame.
  - For Vinyl Fabric – Use a soft brush and warm water with soap.
  - For Acrylic Fabric – Use a stiff brush and warm water with soap.
3. When cleaning the fabric, it is important to observe the following:
  - Always use a natural soap, never detergent.
  - Water should be cold to lukewarm, never more than 100°F.
  - Air-dry only. Never apply heat to the fabric.
  - Always allow the fabric to dry thoroughly before rolling up the awning.

### **Mildew**

Mildew is a fungus growth that looks like dirt. Vinyl coated polyester fabrics are mildew resistant because of a chemical biocide in the vinyl coating. Under ordinary conditions, mildew will not appear. However, in areas where high temperature and humidity are common, mildew can be a problem and required the material to be washed more frequently. Thoroughly rinse the fabric with clean water and allow to air dry completely before rolling up the awning.

### **Pooling**

When water collects on the top of the fabric, this is known as "pooling". This can occur during inclement weather or if a running air conditioner discharges over the awning. The water is dumped when the awning is retracted. It is recommended that if water accumulates on the top; retract the awning in steps (8"-12") to dump the water. This will help prevent the fabric from stretching or distorting.

**IMPORTANT NOTE:** If the room must be closed during wet weather (rain), close the room in increments (approximately 8-12"). This is to allow water to run off while the room is closing and prevent sudden pooling.

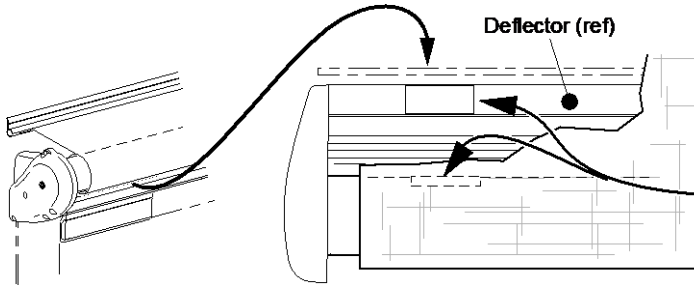
### **HARDWARE MAINTENANCE**

- Replace any parts that become damaged.
- Periodically check all mounting hardware, screws, lags, etc., and re-tighten when necessary.



# PART NUMBER LISTING

## PART NUMBER/SERIAL NUMBER LOCATION

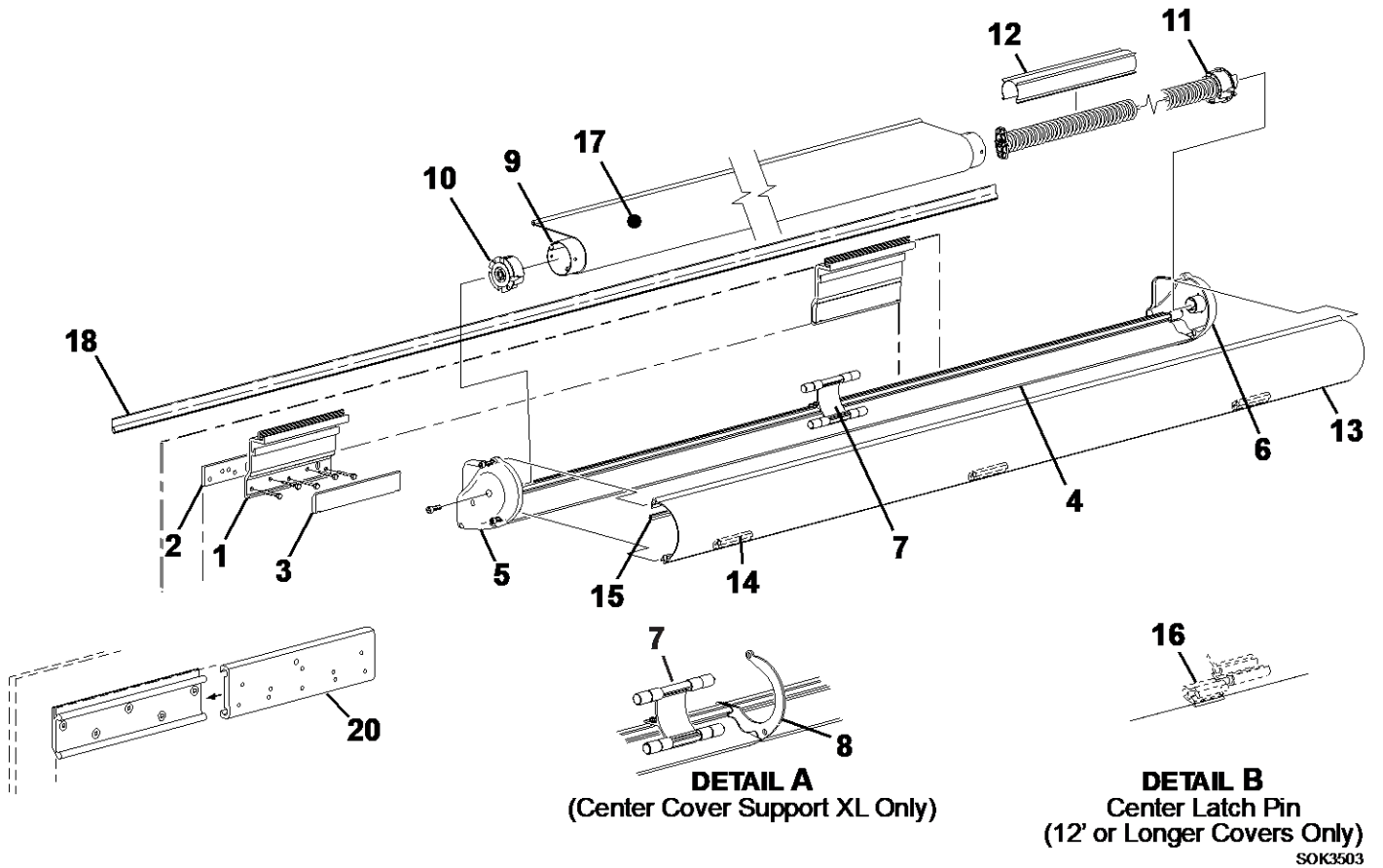


Carefree of Colorado  
 Dt: MM/DD/YY  
 NO: 0000000  
 Pn: xxxxxx-xx

Serial Number/Part Number is located on the deflector and beneath the fabric on the roller tube

SOK3047

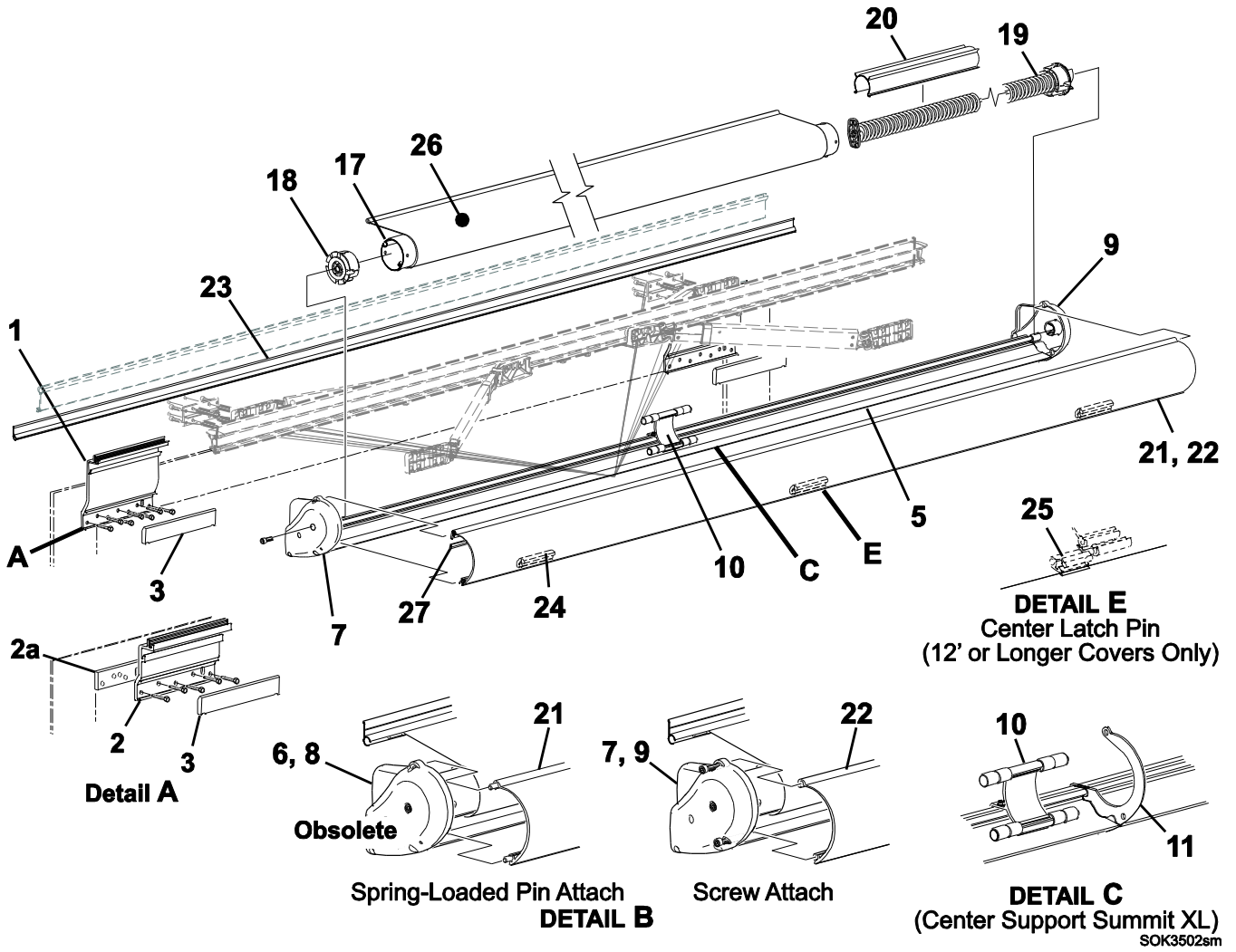
## SOK III ILLUSTRATED PARTS LIST



Item	Part Number	Description	Notes
1	R001150XXX	Bracket, Deflector Mount, Short	4.5" 6
2	R001534	Spacer, 1/4", Deflector Bracket	
3	R001151XXX	Cover, Deflector Mount Bracket	
4	R001153XXX-xxx	Deflector Assy	
	R001338XXX-xxx	Deflector Assy, LH	XL Only
	R001339XXX-xxx	Deflector Assy, RH	XL Only
5	R001520XXX	End Cap, LH	Screw Cover Attach
6	R001521XXX	End Cap, RH	Screw Cover Attach
7	R001156	Roller Support	
8	R001258	Center Support Plate	XL Only
9	610400-xxx	Roller Tube	
	33xxx	Roller Tube Assy	XL Only
10	R001164	Idler Bearing, Roller tube, LH	
11	R001165	Spring Assy	
	R001165XL	Spring Assy	XL Only
12	R041481-001	Spring Sleeve, used with single slot roller tube	
13	R001169XXX-xxx	Front Cover Assy	
	R001337XXX-xxx	Front Cover Assy	XL Only
14	R001364	Bumper, Deflector, Rubber---No Longer Available	pkg of 4
	R041443-001-4	Bumper, Deflector Adhesive	pkg of 4
15	R001562	Bumper, Front Cover	pkg of 4 (24")
16	R001186	Center Latch Pin	used on 12' or Longer Covers Only
17		Canopy Only	Refer to Canopy Order Form
18	0157xxx	Awning Rail	
19	R012711-005	Hardware Pack, White	not shown
	R012711-006	Hardware Pack, Black	not shown
20	BX0013-2-WHT	Carefree Slide Topper Prepped Access Plate Adapter Kit	pkg of 2
	BX0013-2-BLK	Carefree Slide Topper Prepped Access Plate Adapter Kit	pkg of 2

- Notes:
1. XXX = Color; xxx = Length in Inches
  2. The XL replacement Roller Tube Assy includes the roller tube halves, splice, rivets, end caps and pre-wound spring.
  3. XL replacement cover includes both the LH and RH halves.
  4. Set of four bumper guards (item 14) is included with canopy replacements.
  5. Replacement covers mount with screws. If replacing an older cover that uses spring pins, it will be necessary to also order end caps (items 5,6).
  6. Units 155" or less (order length) uses 2 brackets. Units 156"-191" uses 3 brackets. XL Units 283" or longer uses a quantity of 5 brackets.
  7. Center support (item 7) is no longer used on units 10 feet or less.

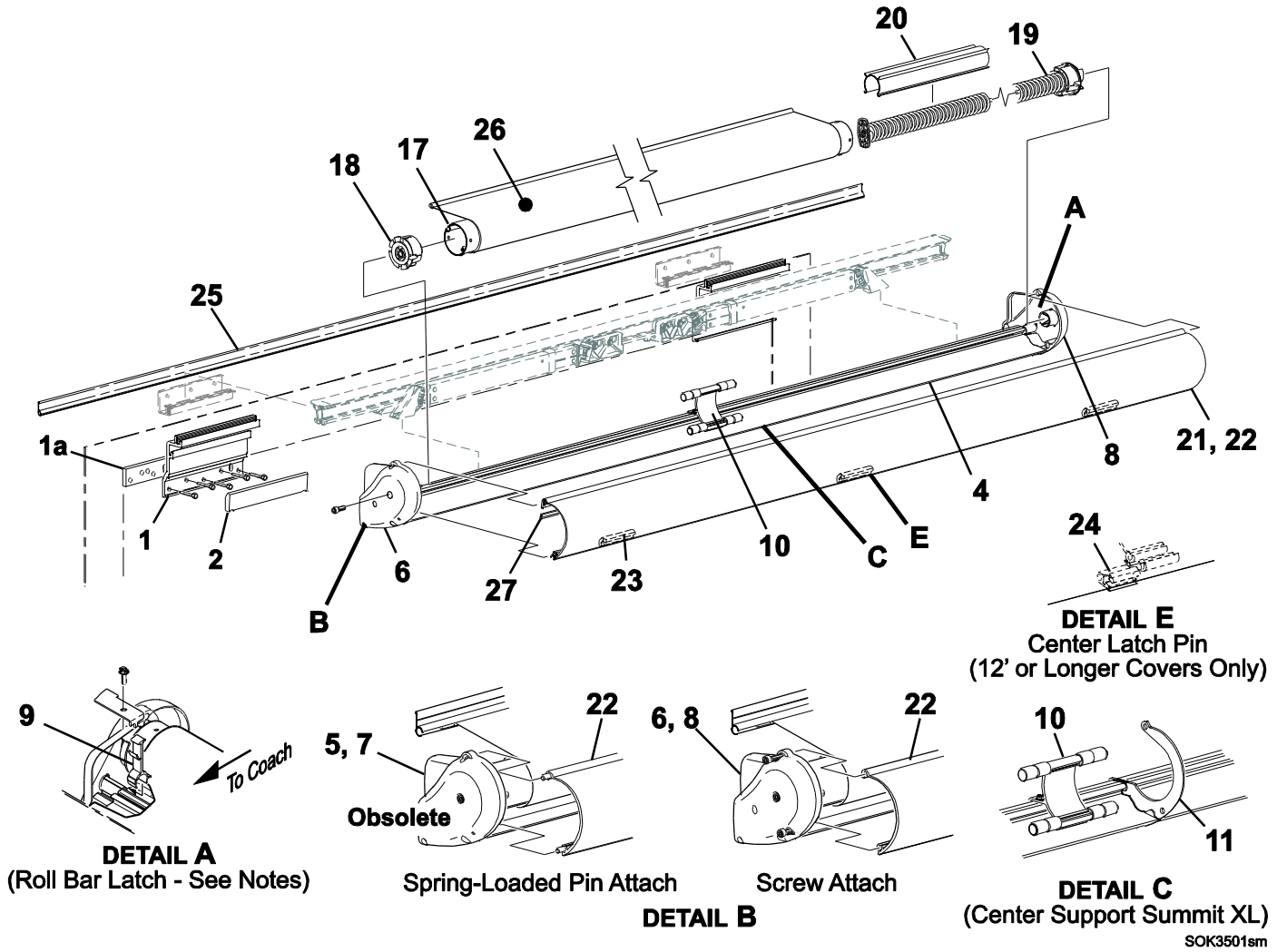
# SUMMIT FI ILLUSTRATED PARTS LIST



Item	Part Number	Description	Notes
1	R001150XXX-T	Bracket, Deflector Mount, Tall	6"
2	R001150XXX	Bracket, Deflector Mount, Short	4.5"
2a	R001534	Spacer, 1/4", Deflector Bracket	pkg of 2
3	R001151XXX	Cover, Deflector Mount Bracket	
4	R001250	Bracket, Lift Bar Assy Mount	
5	R001153XXX-xxx	Deflector Assy	
	R001338XXX-xxx	Deflector Assy, LH	XL Only 3
	R001339XXX-xxx	Deflector Assy, RH	XL Only 3
6	Obsolete	End Cap, LH	Spring Pin Cover Attach 4
7	R001520XXX	End Cap, LH	Screw Cover Attach
8	Obsolete	End Cap, RH	Spring Pin Cover Attach 4
9	R001521XXX	End Cap, RH	Screw Cover Attach
10	R001156	Roller Support	
11	R001258	Center Support Plate	XL Only
16	R001176	Stop Bolt	
17	610400-xxx	Roller Tube	
	33xxx	Roller Tube Assy	XL Only 3
18	R001164	Idler Bearing, Roller tube, LH	
19	R001165	Spring Assy	
	R001165XL	Spring Assy	XL Only
20	R041481-001	Spring Sleeve, used with single slot replacement roller tube	
21	R001169XXX-xxx	Front Cover Assy, Spring Pin Attach	6
22	R001337XXX-xxx	Front Cover Assy, Spring Pin Attach	XL Only 6,7
23	0157xxx	Awning Rail	
24	R001364	Bumper, Deflector, Rubber	pkg of 4
	R041443-001-4	Bumper, Deflector, Adhesive	pkg of 4
25	R001186	Center Latch Pin	
26		Canopy Only	Refer to Canopy Order Form
27	R001562	Bumper, Front Cover	pkg of 4 (24") 7

- Notes:
1. XXX = Color; xxx = Length in Inches
  2. The XL replacement roller tube assy includes the roller tube halves, splice, rivets, end caps and pre-wound spring.
  3. XL replacement extrusions and extrusion assemblies are sent out in two pieces and assembled during installation.
  4. End caps (Items 6, 8) are obsolete. If replacing end caps, it will be necessary to use items 7 & 9; remove the spring pins from the ends of the cover and attach the cover to the new end caps with screws. Use the product installation manual for detailed attachment instructions.
  5. For older assemblies with the spring pin attachment: If replacing the cover assembly, it will also be necessary to replace the end caps for the screw mount style (items 7, 9). New covers are mounted with screws. Also refer to note 4.
  6. XL replacement cover includes both the LH and RH halves.
  7. Set of two bumper guards (item 28) is included with canopy replacements.
  8. Summit awnings can be converted to the SOKIII by removing the lift bar assemblies.

# BASIC SUMMIT ILLUSTRATED PARTS LIST



Item	Part Number	Description	Notes
1	R001150XXX	Bracket, Deflector Mount, Short, 4.5"	
1a	R001534	Spacer, 1/4", Defector Bracket	
2	R001151XXX	Cover, Deflector Mount Bracket	
3	R001152	Bracket, Lift Bar Assy Mount	
4	R001153XXX-xxx	Deflector Assy	
	R001338XXX-xxx	Deflector Assy, LH	XL Only 4
	R001339XXX-xxx	Deflector Assy, RH	XL Only 4
5	Obsolete	End Cap, LH	Spring Pin Cover Attach 5,6
6	R001520XXX	End Cap, LH	Screw Cover Attach 5,6
7	Obsolete	End Cap, RH	Spring Pin Cover Attach 5,6
8	R001521XXX	End Cap, RH	Screw Cover Attach 5,6
9	Obsolete	Roller tube Latch	2
10	R001156	Roller Support	
11	R001258	Center Support Plate	XL Only
12	NLA	Lift Bar Assy	8
13	NLA	Lift Bar	
	NLA	Lift Bar	XL Only 4
14	NLA	End Cap, Lift Bar	
15	NLA	Extension Arm Assy	12"-16.9" Room Extension 8
17	610400-xxx	Roller Tube	
	33xxx	Roller Tube Assy	XL Only 3,4
18	R001164	Idler Bearing, Roller tube, LH	
19	R001165	Spring Assy	
	R001165XL	XL Spring Assy	XL Only
20	R041481-001	Spring Sleeve, used with single slot replacement roller tube	
21	R001169XXX-xxx	Front Cover Assy	7
22	R001337XXX-xxx	Front Cover Assy	XL Only 7,8
23	R001364	Bumper, Deflector, Rubber	
24	R001186	Center Latch Pin	
25	0157xxx	Awning Rail	
26		Canopy Only	Refer to Canopy Order Form
27	R001562	Bumper, Front Cover	pkg of 4 (24")

- Notes:
1. XXX = Color; xxx = Length in Inches
  2. The roller tube latch has been discontinued. For spares order RH end cap (item 8). Also refer to note 5.
  3. The XL replacement Roller Tube Assy includes the roller tube halves, splice, rivets, end caps and pre-wound spring.
  4. XL replacement extrusions and extrusion assemblies are sent out in two pieces and assembled during installation.
  5. End caps (Items 5, 7) are obsolete. If replacing end caps, it will be necessary to use items 6 & 8; remove the spring pins from the ends of the cover and attach the cover to the new end caps with screws. Use the product installation manual for detailed attachment instructions.
  6. For older assemblies with the spring pin attachment: If replacing the cover assembly, it will also be necessary to replace the end caps for the screw mount style (items 6, 8). New covers are mounted with screws. Also refer to note 5.
  7. XL replacement cover includes both the LH and RH halves.
  8. The Summit may be converted to an SOKIII by removing the lift bar assembly and hardware.

