



**WITH AUTO-RETRACT AND
REMOTE CONTROL**

Owner's Manual

Section OneInstallation Instructions

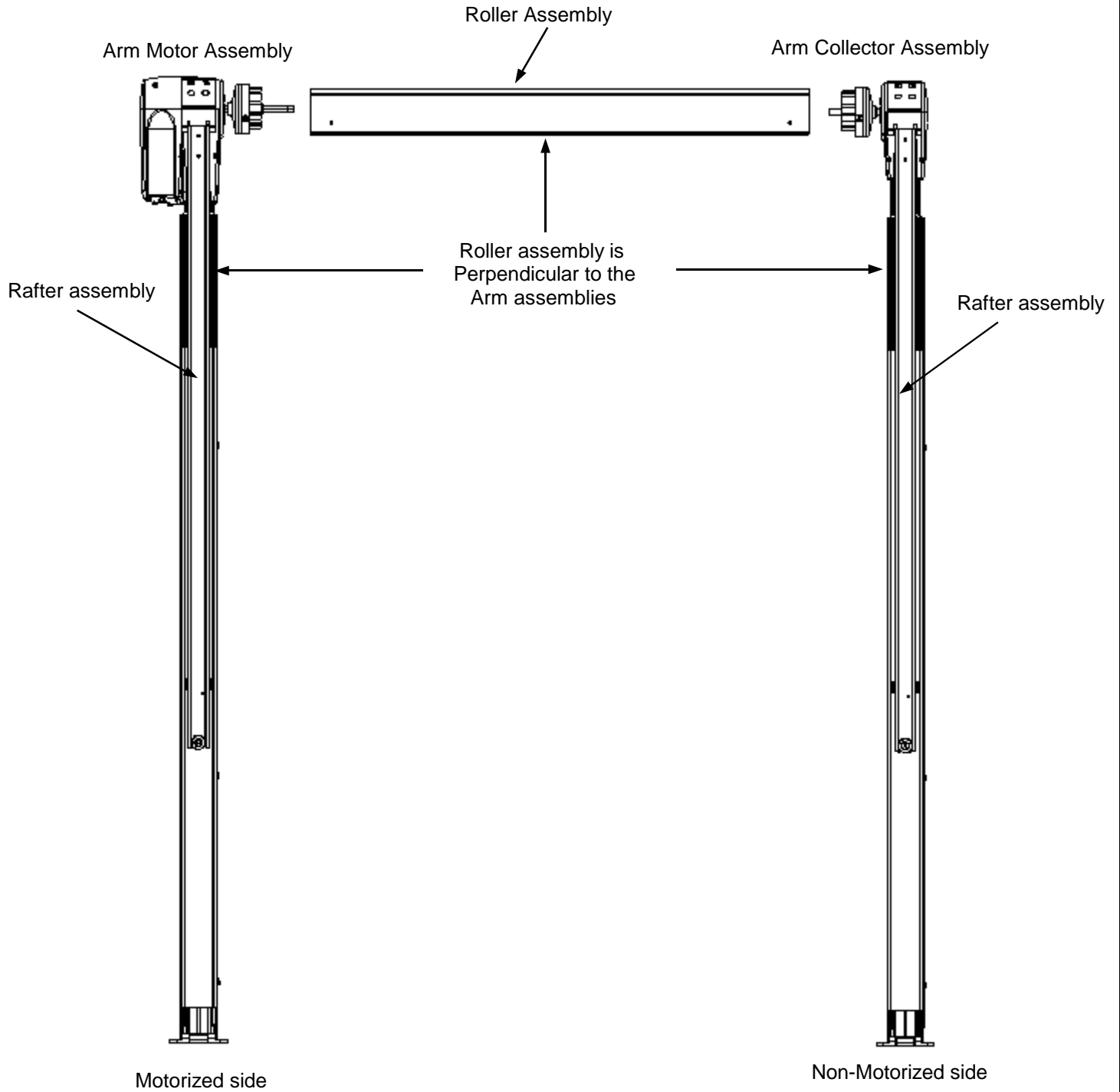
Section TwoOperational Instructions

Section Three.....Maintenance

Section Four.....Warranty Information



Review this diagram before preceding



Section One

Installation Instructions

Read the entire contents of this manual prior to performing any portion of the installation. Use these instructions for the installation of the Carefree ONE-Touch awning only. Follow all cautions, warnings and notes to prevent injury or damage to the awning or the recreation vehicle.

Safety Information

Caution: Indicates a hazard that may cause minor or moderate personal injury or physical property damage if the caution is ignored.

Warning: Indicates a hazard that may cause serious personal injury or major physical property damage if the warning is ignored.

Note: Indicates information that may be helpful within the context of that particular step.

Tip: Provides helpful suggestions during the installation procedures or during actual use of the ONE-Touch awning.

Step One: Installation Recommendations

ONE INSTALLER (Two temporary helpers are beneficial)

TOOLS

- Tape Measure
- Step Ladder
- 15/16" Hole Saw
- 7/16" Socket/Nut Driver
- Ratchet or Speed Handle
- Flat or Round File
- Wire Crimper
- Diagonal Cutters
- 9/64" Hex Wrench
- Drill Motor
- 1/8" Drill Bit
- 3/16" Drill Bit
- #2 Phillips Screwdriver
- Caulking Gun
- Marking Pen
- Wire Stripper
- Square-drive Screwdriver #2

SUPPLIES

- Silicone Sealant
- Putty Tape (or equivalent)
- 14-gauge Primary Wire
- Assorted Solderless Terminals
- Silicone Spray Lubricant
- Heat Shrink Tubing

Step Two: Installation Preparation

Caution: The ONE-Touch awning must be mounted into the structural framework of the RV. Fiberglass or sheet metal siding alone is not strong enough to support the weight of the awning. Some trim moldings are aligned with actual floor members, but check to be sure. Mounting screws for the top and bottom brackets must attach solidly to the RV framework.

A. Verify the awning rail is installed properly. If no rail is installed, mount one using rivets or screws. Seal the back of the rail with butyl caulk or putty tape.

Caution: The awning rail must be secured to solid framework.

B. Be sure the awning rail is straight. Use a screwdriver to spread open the awning rail on the side the awning will be installed into (see **figure 1**). Use a file to smooth the edges of the opening to avoid damaging the fabric.

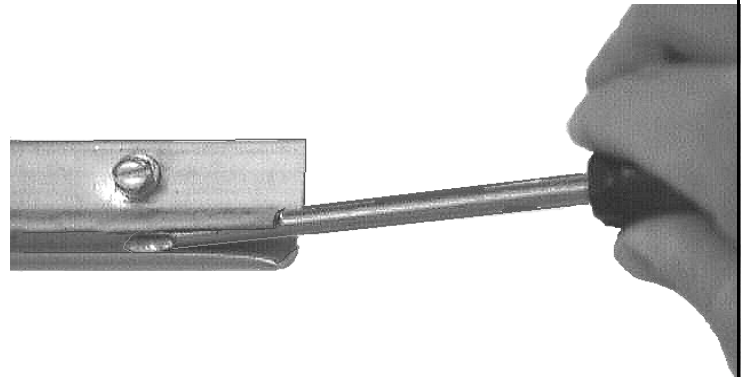


figure 1

Step Three: Install Bottom Brackets

A. Determine the optimum positioning of the awning arms on the RV. Be sure the arms will not interfere with appliance exhaust vents, mirrors, storage compartments, etc. Consider the correct positioning while noting the wiring outlet must be installed through the side of the RV at a point 3" - 5" below the awning rail and 1" - 4" to the left of the front arm assembly (see **figure 9**).

Caution: Be sure side wall-mounted fixtures, such as the porch lamp, will not interfere with the wiring harness for the ONE Touch awning.

Note: (1) The size of a roller assembly indicates the exact footage between the centers of each bottom bracket and arm assembly once installed. For example, a 16-foot roller assembly requires the centers of the bottom brackets to be 16 feet apart when installed on the RV.

(2) The distance between the centers of the bottom brackets must be within $\frac{1}{2}$ " of the distance between the eventual centers of the top brackets.

(3) If exchanging existing Carefree hardware with One-Touch hardware, secure the roller assembly to the RV and remove the arms, springs, and top brackets.

B. Mount the front and rear bottom brackets into the floor line structure using the two, #14 x 2-1/2" lag screws.

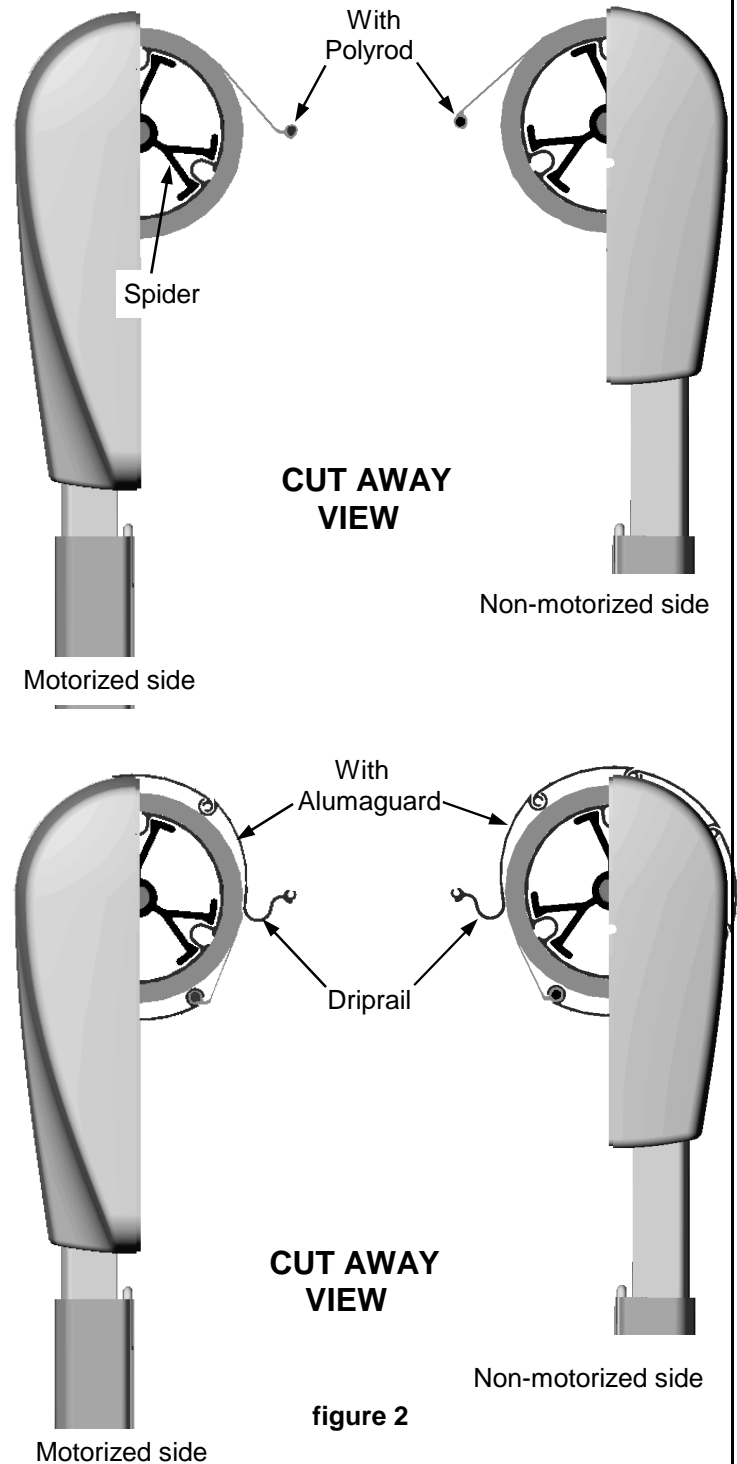
Tip: For best results, pre-drill the lag screw holes (with a 3/16" drill bit) through any trim or molding and slightly into the floor structure. Inject silicone sealant into the holes before installing the lag screws.

Step Four: Attaching the Arms to the Roller Assembly (Timing The Awning)

A. Carefully remove the roller assembly and ONE-Touch hardware from their packaging. Do not remove the plastic wrap on the arm assemblies or the flagged cotter pin from the non-motorized arm assembly at this time.

B. When the awning arms are attached to the roller assembly they should closely match **figure 2** showing the awning assembly viewed from the motorized and non-motorized sides. Start by aligning the three V-shaped openings in the Spider with the three slots on the inside of the roll bar and inserting the Spider into the open end of the roller assembly.

Note: The polyrod on roller assemblies or driprail on roller assemblies with Alumaguard must remain on the back side of the awning assembly for the ONE-Touch awning to operate properly.



C. Rotate the end cap (it can be turned independently of the shaft) until its open slot aligns with the empty slot in the roller assembly; the other two slots in the roller assembly will have polyrod in them. Finish pushing the Spider all the way into the roller assembly. The end cap should seat squarely against the end of the roller assembly when inserted all the way in. End cap must be rotated until slot lines up with one in roller.

Warning: Exercise caution when handling the attached arm and roller assembly. The arm assembly must remain perpendicular to the roller assembly (see page 2). Failure to handle the arm assembly in this manner will bend the drive shaft.

D. Secure the end cap to the roller assembly using two, #10 square-drive screws (see **figure 3**).

E. Repeat steps 4A through 4D for the non-motorized arm assembly.

F. Remove the flagged cotter pin from the non-motorized arm assembly after the arm is attached.

Warning: Exercise caution when handling the attached arms and roller assembly. The arm assemblies must remain perpendicular to the roller assembly (see page 2). Failure to handle the arm assemblies in this way will bend the drive shafts.

G. Unwrap one full turn of fabric or fabric & Alumaguard from the roller assembly to allow for clearance around mirrors, lamps, etc., when sliding the roller assembly polyrod or Alumaguard drip rail into the awning rail mounted on the RV.

Note: If exchanging existing Carefree hardware with One-Touch hardware, secure roller assembly to RV and remove existing arms, springs, and top brackets. Refer to **Step 5** for adjusting Arms to proper length. Install each Arm into its bottom bracket and unwrap the roller assembly one full turn. Precede with steps 4-A through 4-F for fitting the Arms To the Roll Bar.

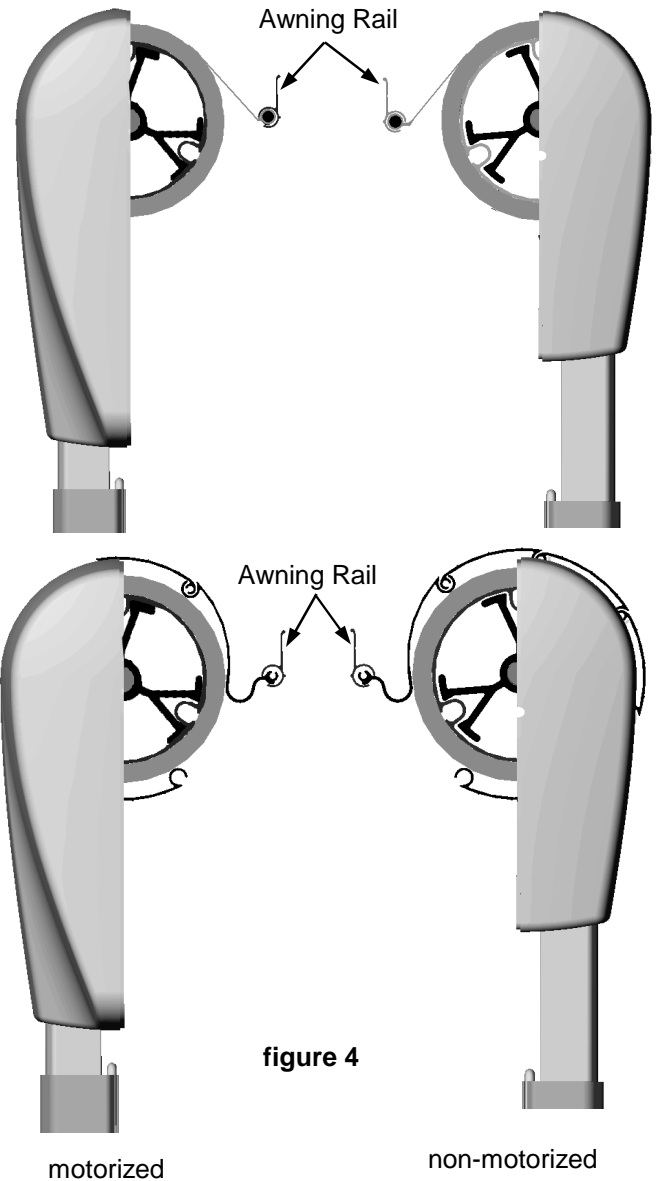


figure 4

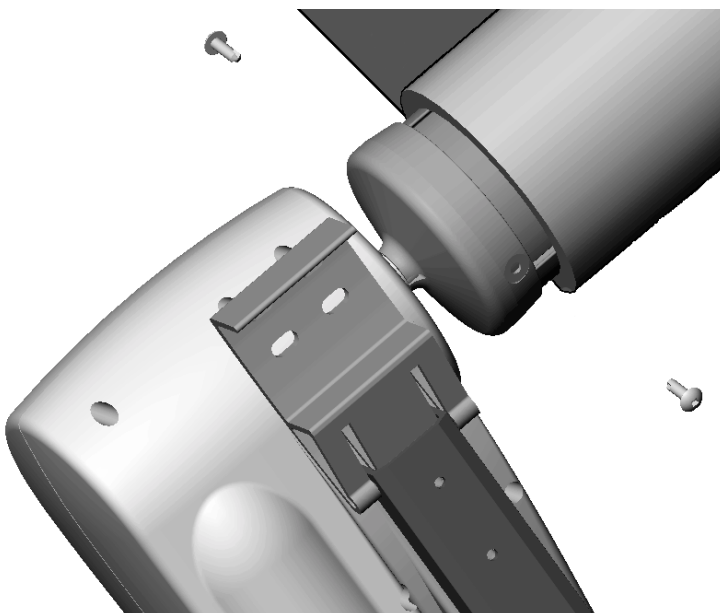


figure 3

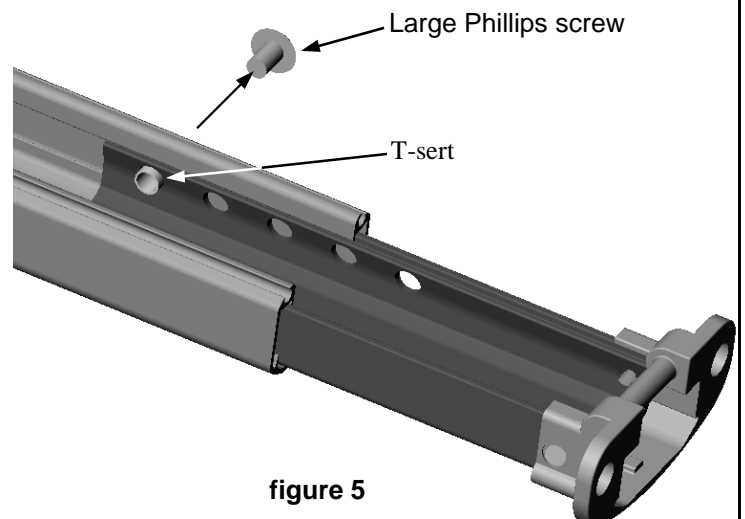


figure 5

Step Five: Installing the Awning Assembly on the RV.

A. When the awning assembly is installed on the RV it should closely match **figure 4** showing the awning assembly viewed from the motorized and non-motorized sides. Start by removing the large Phillips Screw assembly on the side of the motorized arm assembly and slide the adjustable leg out of the arm assembly (see **figure 5**).

B. Measure the distance between the bottom brackets and the awning rail (see **figure 6**).

C. Adjust the motorized arm assembly to the proper length using **Table 1**. Match the measurement taken in step 5B to the appropriate numbered hole needed to reattach the adjustable leg.

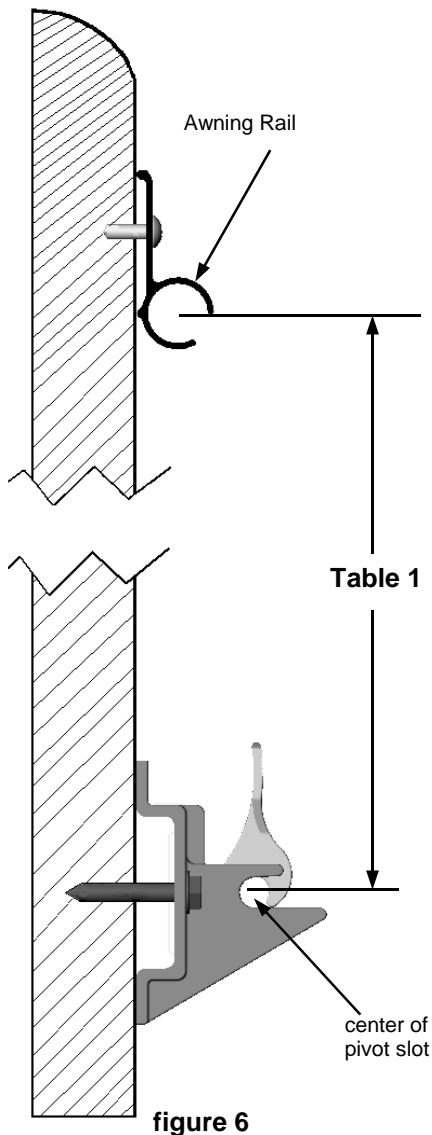
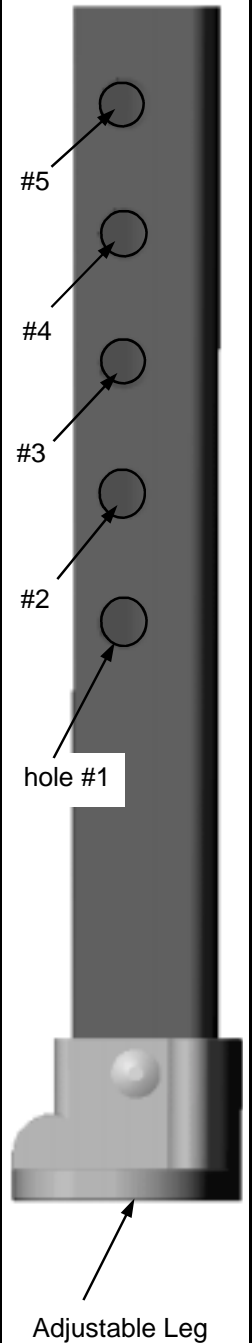


figure 6

Table 1

Measurement in figure 6	Use hole number below to reinstall adjustable leg	Length of adjustable leg
69"	1	8.5"
70"	2	
71"	3	
72"	4	
73"	5	11.5"
73"	4	
74"	5	
75"	6	
76"	7	14.5"
76"	2	
77"	3	
78"	4	
79"	5	
80"	6	
81"	7	
82"	8	
83"	9	
84"	10	
85"	11	



D. Repeat steps 5A through 5C for adjusting the length of the non-motorized arm assembly.

Note: Both the motorized and non-motorized arm assemblies should use the same numbered hole for reattaching the adjustable legs.

E. Now that the ONE-Touch awning is assembled and adjusted for the RV, use two helpers to lift the awning into a vertical position so the roller assembly is at the top.

Warning: Exercise caution when lifting and handling the awning assembly. Both arm assemblies must remain perpendicular to the roller assembly and parallel to each other (see page 2). Failure to handle the awning arms in this way will bend the drive shafts.

Tip: Silicone spray lubricant applied to the awning rail will allow for easier installation during step 5F.

F. Carefully slide the awning polyrod or the Alumaguard drip rail into the awning rail as the helpers alternately guide the front and rear arms (see figure 7).

G. Once the awning arms are aligned with the previously installed bottom brackets, snap the bottom portion of each adjustable leg into its bottom bracket and allow the awning to lean away from the side of the RV.

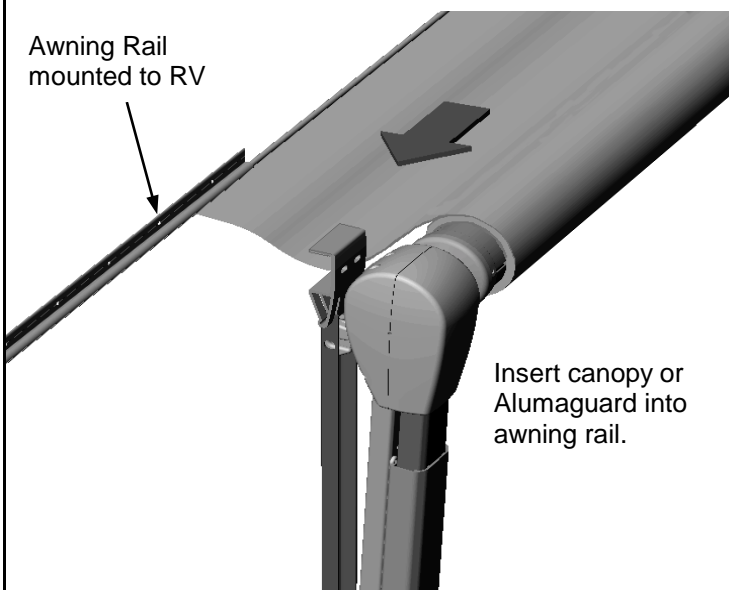


figure 7

Step Six: Install the Top Brackets

A. Remove the plastic wrap from the motorized arm assembly and position of upper bracket at the awning rail. The top bracket should straddle the awning rail and be positioned fully up against the bottom of the rail (see figure 8). The brackets should be straight up and down (not angled) for proper operation. (See below for your style of bracket)

Note: The distance between the centers of the top brackets must be within $\frac{1}{2}$ " of the distance between the centers of bottom brackets. Also the awning arms must be perpendicular to the awning roller assembly (see page 2).

B. Secure the bracket into the roof line using two, #14 x 3" lag screws.

Tip: For best results, pre-drill the lag screw holes with a 3/16" bit through the awning rail and slightly into the structural support member. Inject silicone sealant into the holes before installing the lag screws.

C. Repeat Steps 6A & 6B for the non-motorized arm.

MULTI-PIECE BRACKETS

Adjustable Bracket

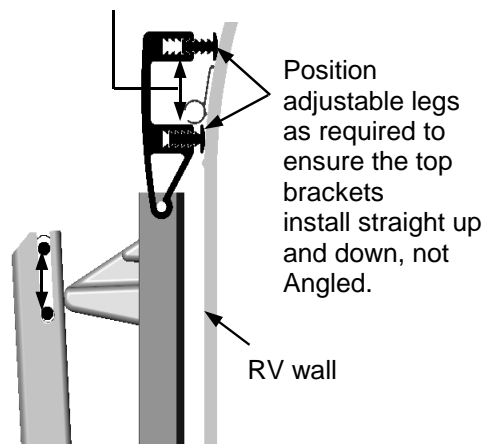


figure 8

REVIEW KEY ELECTRICAL COMPONENTS BEFORE PRECEDING



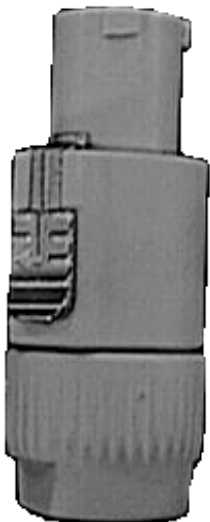
Control Module / Switch Panel



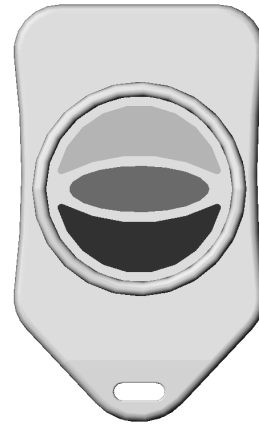
Rafter Transmitter



Outlet



Plug



Remote Control Key Fob

Step Seven: Install the Power Control Module with Power Control Switch

Tip: For optimum performance, always ensure electrical connections are clean, dry, and tight. When using solderless terminals or other methods of attaching or connecting wires, it is recommended to use heat shrink tubing to reduce corrosion contamination and the possibility of corroded connections or an open circuit.

THE POWER CONTROL MODULE AND THE POWER CONTROL SWITCH COME INTEGRATED INTO ONE COMPONENT. IT IS INTENDED TO BE USED LIKE THIS IN CASES WHERE THE COMPLETE UNIT CAN BE SAFELY INSTALLED IN A SUITABLE LOCATION. THIS LOCATION SHOULD BE WHERE IT DOES NOT INTERFERE WITH ANYTHING BUT ALSO WHERE ACCESS CAN BE GAINED TO THE SWITCH CONTROLS. IT IS RECOMMENDED THAT THIS LOCATION BE SUCH THAT THERE IS SUFFICIENT VIEW OF THE ONE-Touch AWNING DURING OPERATION. IF DESIRED OR REQUIRED, THE POWER CONTROL SWITCH PANEL MAY BE REMOVED FROM THE CONTROL MODULE AND PLACED REMOTELY. FOLLOW THE INSTRUCTION BELOW THAT RELATES TO YOUR APPLICATION.

Power Control Module



Figure 9

MOUNTING THE INTEGRATED POWER CONTROL MODULE AND POWER CONTROL SWITCH.

A. Review the wiring diagram on page 16. Determine a suitable location to mount the combined Power Control Module and Switch Panel that will allow convenient wiring and sufficient view of the ONE-Touch Awning. Typical locations include: in an overhead cabinet near the entry door, or in a protected exterior compartment.

NOTE: Power control Module must not be mounted in a area surrounded by a metal enclosure

Caution: Minimum wire length and maximum wire size should be selected to assure adequate voltage to the ONE-Touch Awning motor.

Warning: Do not mount the Power Control Module and Switch near heat producing elements such as LP appliances or engine exhaust components.

B. Once the location of the Power Control Module and Switch is determined, fasten the box in place using the screws provided.

C. Run a #14-gauge minimum (#10 or #12 preferred) wire from the positive terminal of the RV, power distribution panel (auxiliary battery circuit) to the positive wire (red) coming from the power control module.

D. Connect the unattached end of the black wire coming out of the Control Module to a suitable grounding location on the RV. Use extra wires and wire joint if necessary. Observe same gauge wire when extending the black wire to a suitable ground.

Note: A suitable ground would be the chassis of the RV or any other conductive structure attached to the chassis. Not a painted surface.

If desired or required to have the Power Control Module and the Switch Panel mounted in two different locations, do the following.

MOUNTING OF THE POWER CONTROL MODULE AND THE SWITCH PANEL IN TWO DIFFERENT LOCATIONS.

A. Once a location for the Power Control Module has been determined following steps A. through D. above, determine a location for the Power Control Switch that will allow convenient wiring and sufficient view of the ONE-Touch Awning during operation while depressing the power switch. Typical locations for the switch panel include: just inside the entry door, in an overhead cabinet near the entry door, or in a protected exterior compartments. The switch assembly requires a rough cut-out opening that measures, 2-1/4" in diameter. A 2-1/4" hole saw is recommended.

Warning: Do not mount the Power Control Module and Switch Panel near heat producing elements such as LP appliances or engine exhaust components.

B. Once the location of the Power Control Switch Panel has been determined, carefully drill a 2-1/4" hole at that point.

C. Remove the screws attaching the face of the switch plate to the Control Module Box.

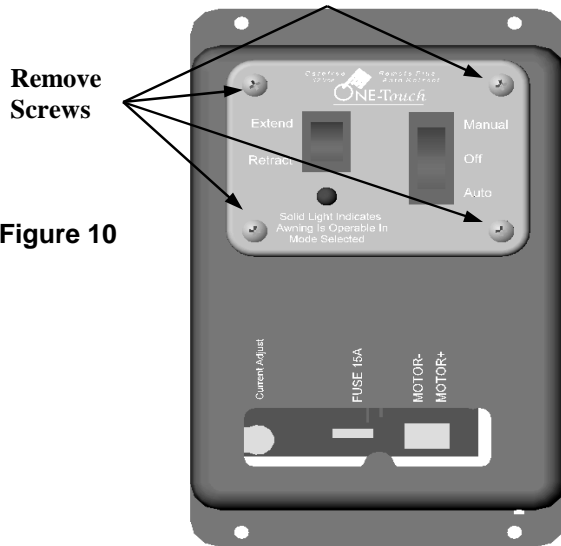


Figure 10

D. Unplug the wire connection going from the switch plate to the control module components.

E. Locate the extension cord and adapter in the hardware pack. Route the extension cord from the location where the switch will be mounted to the Control Module Box. Conceal the cord behind corner trim molding or inside cabinets. If surface wiring is the only option, obtain aftermarket concealment raceways to safely route cord.

F. Plug the extension cord connector into the control module. Using the adapter, plug the other end of the extension cord into the plug coming out of the back of the switch panel.

G. Mount the switch panel using the previously removed screws.

Step Eight: Mount the Outlet

A. Mark and drill a 15/16" hole in the exterior side wall, 3" - 5" below the slot in the awning rail and 1" - 4" to the left of the front arm of the awning (**figure 11**).

Tip: Use a sharp, 15/16" hole saw when drilling through laminate siding. A dull saw may result in an oversized hole or chipping and could allow potential moisture damage. For best results, try a few sample holes in similar scrap material.

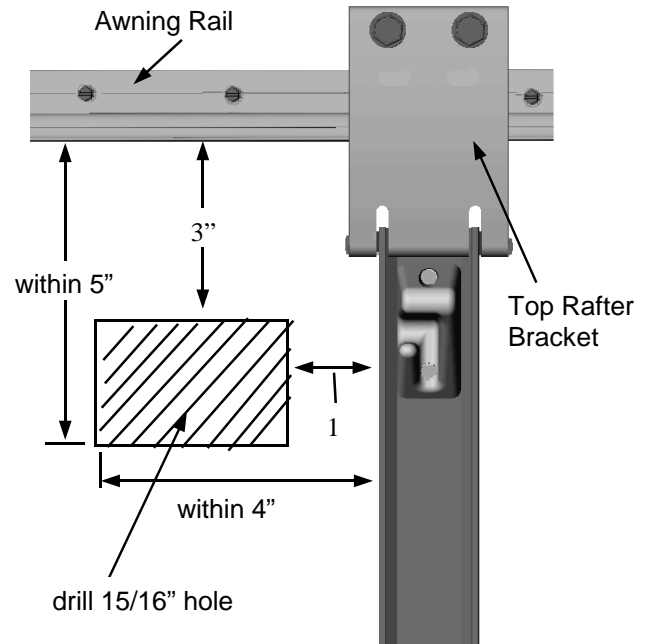


Figure. 11

Caution: Measure and mark carefully. Be aware of interior cabinet framing or other structures that may be located directly behind the wall. Shift the position as necessary while staying within the specified parameters. Be aware that structural obstructions may prevent proper hole drilling.

B. Route two, #14-gauge wires from the power control module up to and through the hole in the side wall of the RV. Use the wire joints provided to connect the two, #14 gauge wires to the two leads on the two pronged connector. Plug the two pronged connector into the two pronged outlet in the power control module.

Tip: Conceal the two, #14 gauge wires behind corner trim molding or inside cabinets. If surface wiring is the only option, obtain aftermarket concealment raceways to safely route the wires.

C. Connect the wires running from the two pronged connector to the terminals at the rear of the outlet using the spade connectors provided.

D. Apply silicon sealant or putty tape to the back of the flange and place the outlet in the hole with the tab slots at the 12 o'clock and 3 o'clock positions. Mount the outlet to the side of the RV using the screws provided. Carefully trim excess sealant from around the outlet. After installation the rubber cover may also be removed if desired.

E. Plug the electrical harness from the front arm assembly into the outlet on the side of the RV.

Note: Align the tabs on the plug with the slots in the receptacle, (at the 12 o'clock and 3 o'clock positions), inert the plug fully and twist 1/8 of a turn clockwise until the metallic clip firmly latches in place. To disconnect, pull back on the metallic clip with your thumb while twisting the plug counter-clockwise 1/8 of a turn. Pull the plug straight out of the outlet.

Tip: Allow a downward loop to form in the harness out of the outlet to prevent rainwater from entering the plug.

Step Nine: Verify Operation

A. Place switch panel in the Manual Mode (see Operating Instructions.) and extend awning completely out. If awning will not extend fully adjust both rafters "longer" by removing the screws (see figure 13a) and increasing length of both ends of the rafters the same amount. If canopy extends but rafter does not lock out (see figure 13) then "shorten" the rafter so the "elbow stop" completely locks out against the rafter "inner channel".

B. Extend the awning until the roller assembly stops turning. At this point the fabric will be slightly slack. The awning should deploy evenly. Refer to the troubleshooting guide if it does not.

Note: (1) For Alumaguard models it may be necessary to assist the deployment of the awning away from the RV for steps 9A through 9F. Until the Alumaguard Tractioner is installed in step 10b.

(2) If the motor runs in the reverse direction, it will be necessary to push the switch out of the Power Control Switch panel, flip it upside down and reinstall.

(3) The Power Control Switch panel may now be mounted in place.

C. Have available the 9/64" hex wrench provided. **Retract the awning until the roller assembly makes one complete turn.** While holding on to the Lower Carriage on the motorized arm assembly, cut and remove the cable tie attaching the Upper Carriage and Lower Carriage together. Move the Lower Carriage up until it touches the Upper Carriage (see figure 12). Tighten the clamping screws on the Lower Carriage with the 9/64 hex wrench. Repeat this procedure on the non-motorized arm assembly.

D. Extend the awning until the rafters are at the maximum open position allowed by the Rafter Elbow Stop (see figure 13). The Gas Shocks on both the arm assemblies should be compressed 1/4" - 3/4" at this time. Jog the power switch slightly to retract and tighten the canopy fabric.

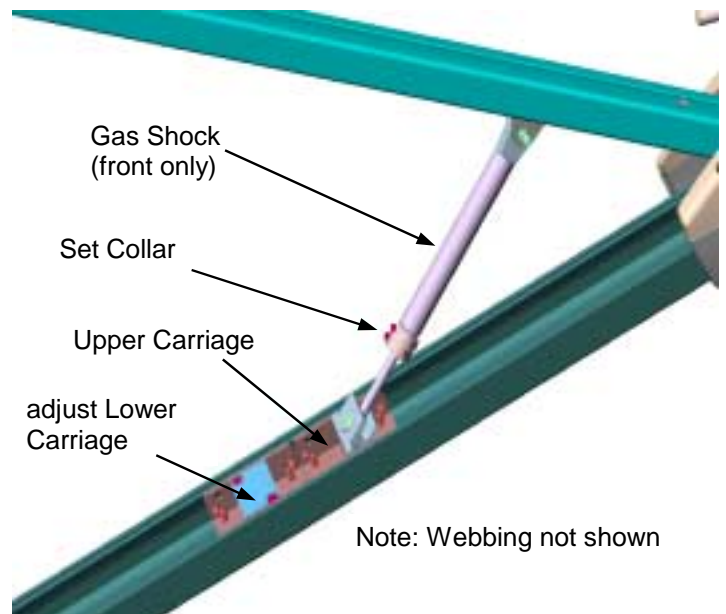


figure 12

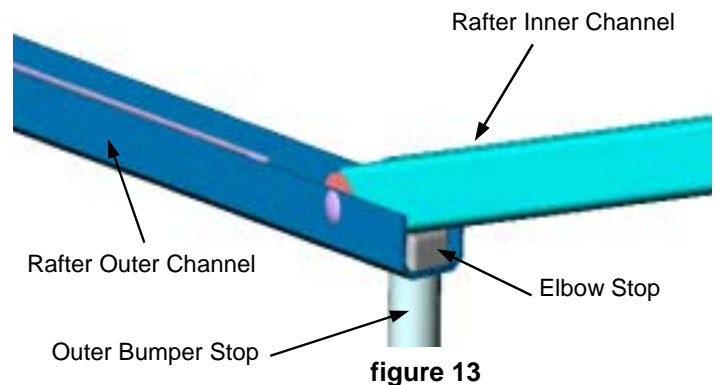


figure 13

E. Move the Set Collar on the motorized arm assembly up until it touches the base of the gas shock and tighten the clamping screws with the 9/64" hex wrench. (see **figure 12**).

F. Cycle the awning in and out several times, (see the Operating Instructions in the next section), to be sure that it operates smoothly and the roller assembly is extending evenly away from the arm assemblies. Verify the rafters are unfolding properly and resting against the elbow stops when the awning is fully extended (see **figure 13**). Refer to the troubleshooting guide if rafter operation does not appear correct.

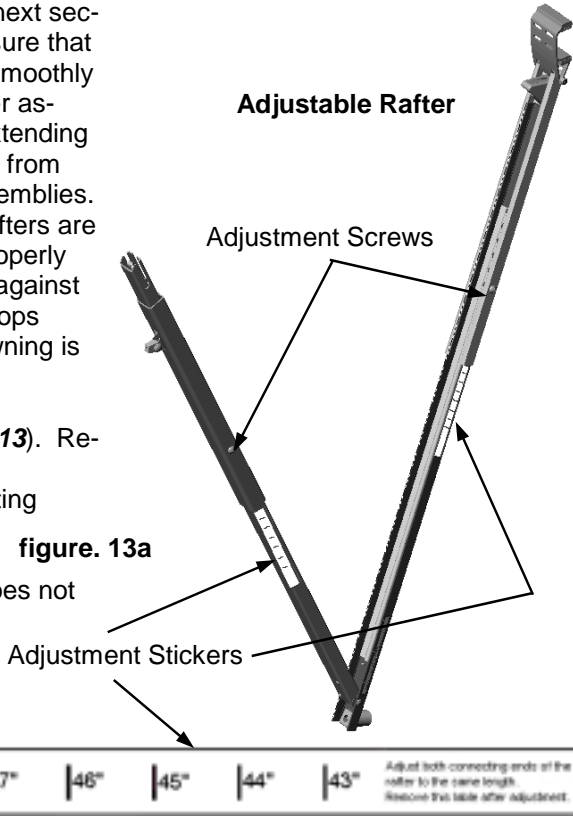


figure. 13a

Step Ten: Secure the Canopy, Installing Tractioners and Safety Stops

A. Secure the canopy fabric or Alumaguard using one, #6 x 3/8" hex head screw at the front and back end of the awning (**fig 14**). For vinyl (non alumaguard) awnings place screws through awning rail, polyrod and canopy approximately 1" in from each end of the fabric. For alumaguard place screws just outside the edge of the alumaguard to prevent it from shifting.

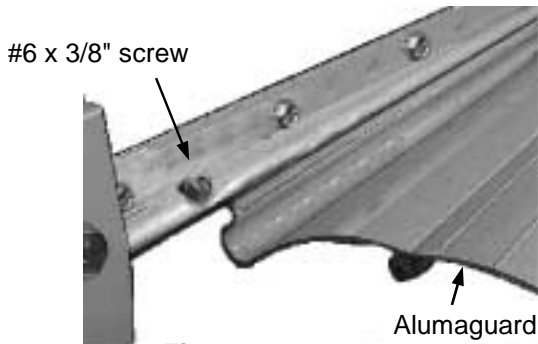


Figure 14

Alumaguard awnings only, require that you install Alumaguard Tractioner on each end of the roller assembly (fig 15).

A. Grasp the Alumaguard Tractioner and O-Ring (shown in figure 15a) and disconnect one end of the O-Ring from the keeper on the Tractioner.

B. Fully retract the awning and then extend it just enough to take tension off of the alumaguard wrap. (approximately 1/8 of a turn) Wrap the tractioner around the roller tube and re-connect the O-Ring to the keeper.

C. Position the tractioner as shown in figure 15b and 15c.

D. Extend the awning and verify that the Alumaguard Tractioners are engaging the Alumaguard properly. When operating properly, the Alumaguard Tractioner will engage the end of the Alumaguard cover and move it up and over the roller assembly. If required, reposition tractioner to adjust engagement with the Alumaguard.

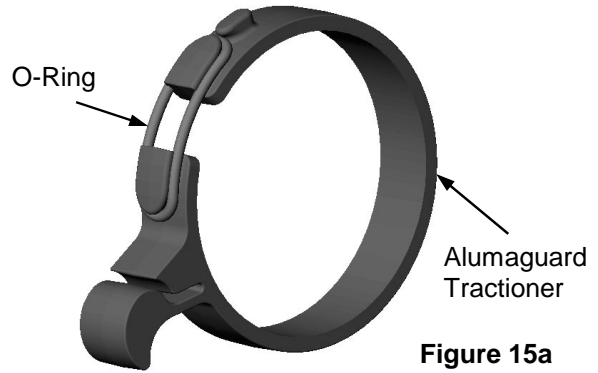


Figure 15a

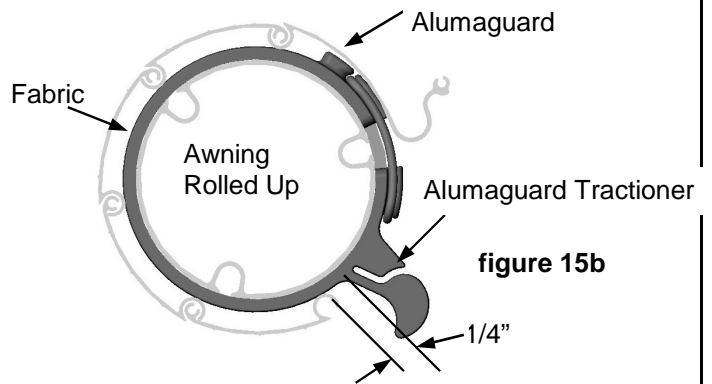


figure 15b

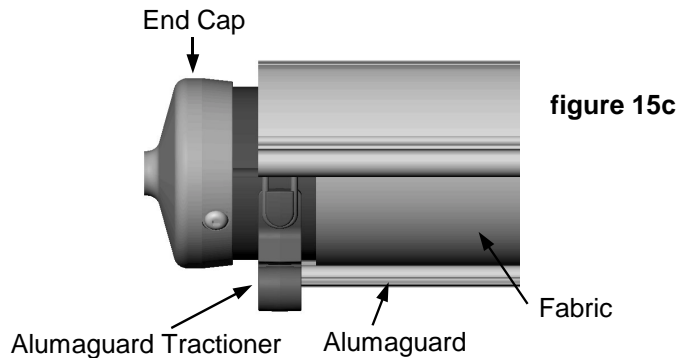
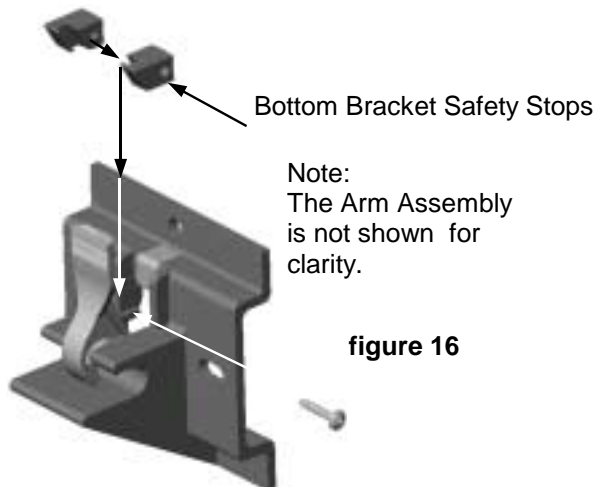


figure 15c

Step Eleven: Installing Safety Stops

Once installed the ONE-Touch arms must not be removed from the bottom brackets (**NO CARPORT POSITIONING**). To ensure the arms are not removed the quick install/release catch on the bottom brackets must be disabled by installing the Bottom Bracket Safety Stops (see figure 16).

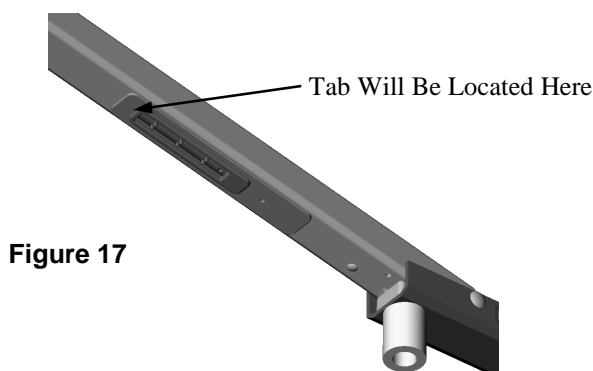


Step Twelve: Installing Protective Pad

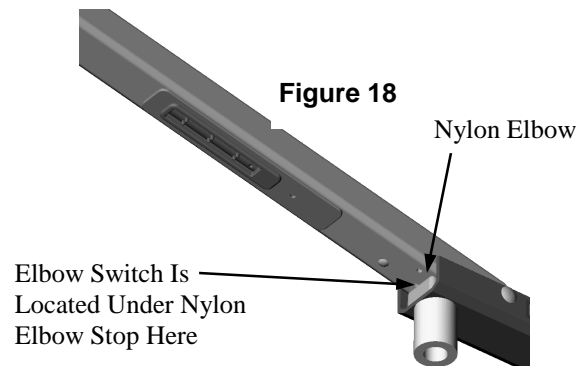
Retract awning until the rafter rubber bumper nearly makes contact with the sidewall. Stick the round clear protective pad on the sidewall of the vehicle at the point where the bumper will make contact once the awning is completely retracted.

Step Thirteen: Activating Transmitter

A. Roll awning completely out per the Operating Instructions.. Move to the rear arm. Carefully remove the white tab located on the transmitter installed in the rear rafter. Removing this tab will allow the transmitter battery terminal to make contact. **Take care not to damage or pull out rubber cover when removing tab.**



B. Verify that elbow switch is completely compressed **between the nylon elbow stop on the upper portion of the rafter and the lower portion of the rafter.**



C. **If elbow switch is not fully compressed when awning is in the complete rolled out position, re-adjust the carriages as shown on page 11 of this manual.**

Step Fourteen: Setting Transmitter Code

SETTING THE AUTO-RETRACT TRANSMITTER

A. With the power control module in the Manual Mode, fully retract awning to the travel position.

C. With the control module still in the Manual Mode, push the "Set Channel" button located in the slot of the Power Control Module and hold down. You will hear a beep! Now push the middle or stop button on the remote (Key Fob) and hold until you hear a long low tone followed by a short high tone.

D. While being positioned close to the power control module with the power switch on the control module still in the Manual mode, fully extend the awning until the rafter is completely locked out.

E. Right when the awning is fully extended and the rafters have fully locked out, listen (up to 10 seconds) to the control module for a long low tone then a short high tone.

F. Now, place the power switch on the control module in the Auto position. When you do this, watch the LED red light on the control panel. It might blink a couple of times and then it should turn to solid red. If the light turns to a solid red the Auto Retract system is activated.

G. If the LED light continues to blink, roll awning back in 3 revolutions and repeat the above steps.

H. Verify the activation by pushing up on the roller assembly, buckling the rear rafter causing the micro switch to trip the auto retract. The awning should start retracting at that point.

Section Two

Operational Instructions

THE ONE-Touch AWNING CAN BE USED IN EITHER A FULL MANUAL MODE OR IN THE AUTO RETRACT MODE. THE MANUAL MODE REQUIRES YOU TO DEPRESS THE SWITCH ON THE SWITCH PANEL OR USE THE REMOTE CONTROL TO EXTEND AND RETRACT AWNING. IF SET IN THE AUTO RETRACT MODE, THE AWNING WILL AUTOMATICALLY RETRACT WHEN THE WIND REACHES A VELOCITY THAT COULD DAMAGE THE AWNING IF LEFT OUT.

Warning: If the awning is partially deployed the awning will not be resistant to wind; partial extension is recommended in calm conditions only. Additionally, Do not extend the awning in gusty wind conditions. **If the awning is to be left unattended or used in breezy wind conditions when in the Manual Mode, it is highly recommended that the Wind Braces provided to be positioned between both Rafter assemblies and Arm assemblies.**

Note: The RV must be positioned relatively level for the Carefree ONE-Touch awning to operate properly.

Tip: For optimum performance, be sure the battery systems are fully charged or the power converter energized.

How the Power Control Module Works

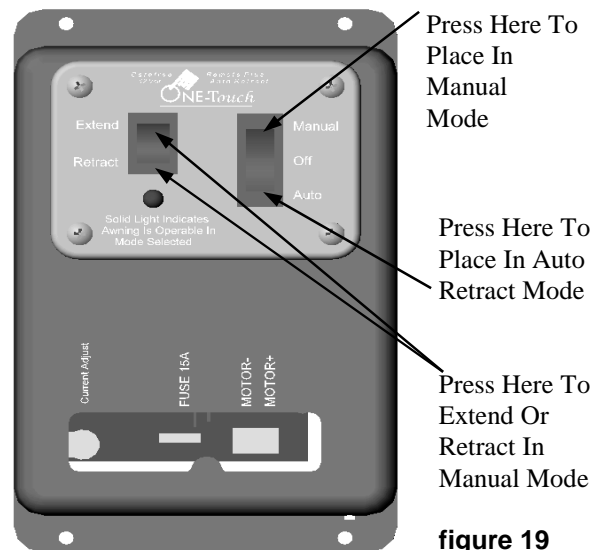
To prevent damage to the ONE-Touch motor and circuitry, the Power Control Module monitors the current drawn by the motor. If the current draw exceeds the preset factory level, the power control module shuts off the power to the awning momentarily. This will occur if the power switch continues to be operated after the awning is fully retracted or extended. To reduce wear on the awning and it's power system do not continue to operate the power switch after full extension or retraction.

Step One: To Use In Manual Mode

A. TO EXTEND: Place the awning in the Manual Mode by depressing the 3 position rocker switch on the Power Control Switch Panel that is marked "Manual". (figure 16) Operate the power switch in the "EXTEND" mode. Extend the awning until the roller assembly stops turning. At this point the fabric will be slightly slack. Jog the "RETRACT and/or EXTEND" switch slightly to tighten canopy.

Note: If the awning is only to be partially extended, simply release the momentary rocker switch when the awning is extended to the point desired.

B. To Retract: Position Power Control Switch in the Manual Mode and operate the power switch in the "RETRACT" position until the awning is fully retracted. Place switch panel in the **OFF** position.



Step Two: To Use In Auto Retract Mode

A. TO EXTEND: Depress the 3 position rocker switch on the Power Control Switch Panel that is marked Manual. Operate the power switch in the "EXTEND" mode until the awning is completely extended. Jog the "RETRACT" and/or "EXTEND" switch slightly to tighten canopy.

B. Wait approximately 3 seconds and then depress the "AUTO" switch. Within 10 seconds of depressing the "AUTO" switch, the red LED light should be a steady light (not flashing). If the light is steady then the Auto Retract is activated. If the light is flashing then depress the "MANUAL" switch and retract awning 3 revolutions. Extend again and wait 3 seconds and depress the "AUTO" switch again.

The Auto Retract is now activated and the awning will retract when the wind reaches a velocity that could damage the awning if left out.

WARNING: DO NOT USE THE WIND BRACES WITH THE AWNING IN THE AUTO RETRACT MODE!

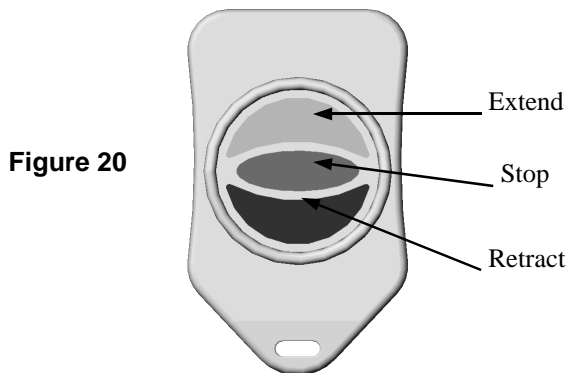
C. TO RETRACT: Position Power Control Switch in the Manual Mode and operate the power switch in the "RETRACT" position until the awning is fully retracted. Place switch panel in the **OFF** position.

Section Two

Operational Instructions (cont.)

Step Three: Using The Remote Control

THE REMOTE CONTROL FOB CONTAINS THREE BUTTONS. TOP BUTTON IS USED FOR "EXTEND", THE BOTTOM BUTTON IS USED FOR "RETRACT" AND THE CENTER BUTTON IS AN EMERGENCY "STOP" BUTTON.



A. TO EXTEND: Place the awning in the Manual Mode by depressing the 3 position rocker switch on the Power Control Switch Panel that is marked "Manual". (figure 16)

Press the top button or "**EXTEND**" button on the Remote Control. Hold down the button until the awning reaches full extension. Jog the bottom "**RETRACT**" button and/or the top "**RETRACT**" button slightly to tighten canopy.

B. TO RETRACT: Press the bottom "**RETRACT**" button. Hold button down for 2 seconds until the awning starts to retract. Once the awning starts retracting, the remote will automatically "latch" in place. After 2 seconds, once the awning starts to retract, release the button and the awning **will** continue to retract. **DO NOT CONTINUE TO HOLD DOWN ON THE RETRACT BUTTON ONCE THE AWNING BEGINS TO RETRACT! DOING SO WILL NOT ALLOW THE AWNING TO RETRACT PROPERLY!** If stopping the awning from retracting is desired at any point, press the "**RETRACT**" button again, or press the center "**STOP**" button. Once fully retracted, place switch panel in the **OFF** position.

STOP BUTTON

The center STOP BUTTON can be used to stop the awning at any time during retraction. The STOP BUTTON will stop the awning from retracting in either the MANUAL OR THE AUTO RETRACT MODE.

Emergency Retraction of Awning

If an alternative 12 volt power source is available: If power from the RV is unavailable for operation, the Carefree ONE-Touch awning can be safely retracted by **disconnecting the power plug (located on the outside of wall of RV) and applying a positive and negative 12-volts to the two terminals located on the bottom side of the motor housing.**

Using the jumper cables provided attach a jumper lead to each of the terminals. Connect other ends of jumper Cables to 12V source. If the awning does not retract reverse the leads.

Caution: Be careful when retracting the awning in this manner as the awning may move abruptly; it will be necessary to maintain contact with each of the two screw terminals throughout the retraction process.

If no alternative 12 volt power source is available: If power from the RV is unavailable for operation and no alternative 12 Volt power source is available,

The Carefree ONE-Touch awning can be safely retracted by disconnecting the power plug (located on the outside of wall of RV) and using a reversible electric drill fitted with the straight 9/64" hex key provided to turn the motor or using the L shaped hex key and turning it by hand.

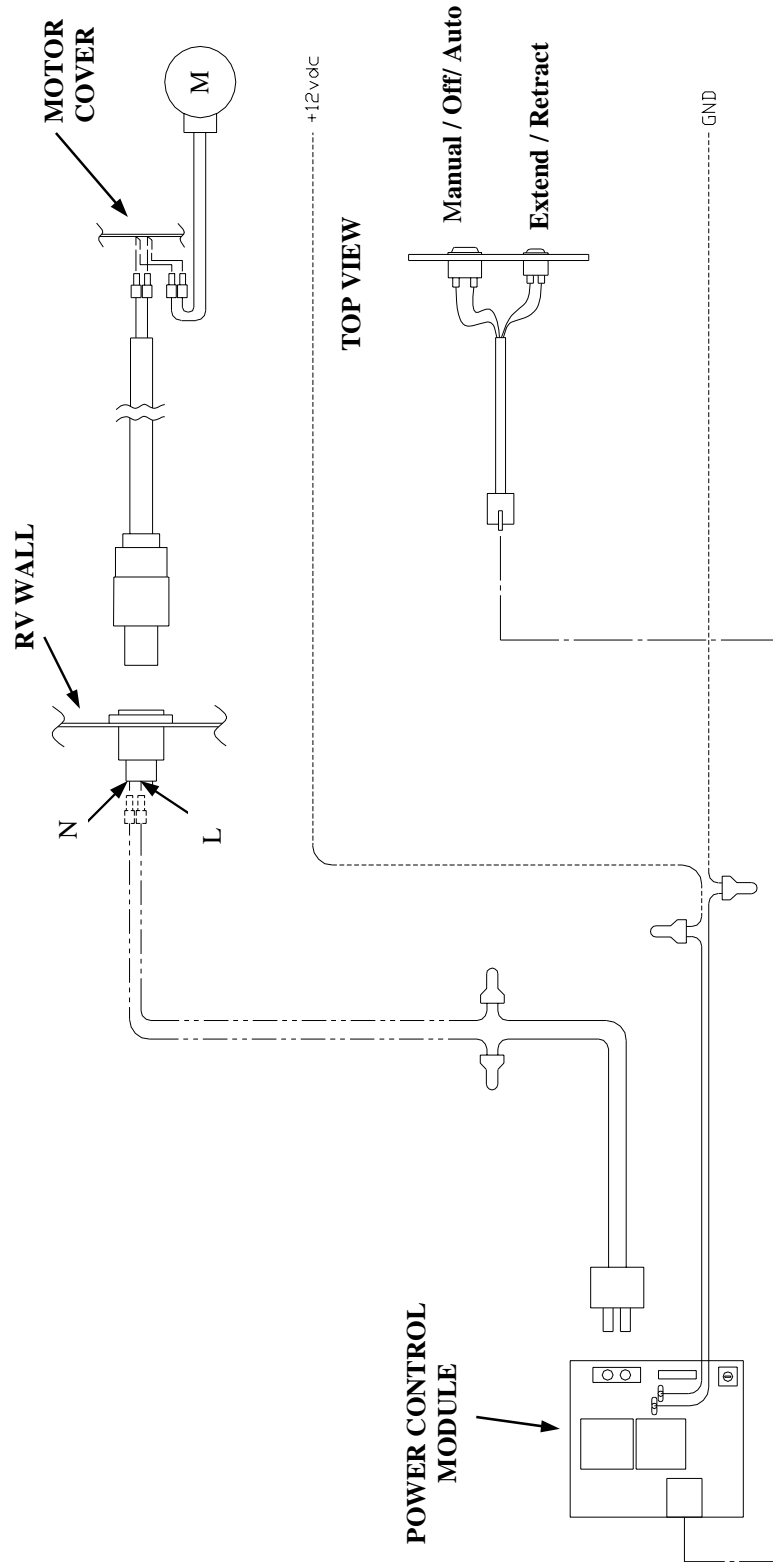
The portion of the motor that can be turned is accessible through an opening at the base of the motor housing.

Caution: Operate the drill in reverse at a low power setting to retract the awning. It will be necessary to turn the motor with the drill throughout the retraction process.

IMPORTANT INFORMATION ABOUT TRANSMITTER BATTERY!

THE TRANSMITTER CASE CONTAINS A SMALL A 23 BATTERY FOR OPERATION. IF THE BATTERY BEGINS TO GET LOW, THERE WILL A CHIRPING SOUND (SIMILAR TO A SMOKE ALARM) THAT WILL BEGIN TO COME FROM THE CONTROL MODULE. WHEN THE CHIRPING SOUND APPEARS, THE BATTERY SHOULD BE REPLACED. TO REPLACE THE BATTERY, SIMPLY REMOVE THE RUBBER COVER FROM THE TRANSMITTER CASE, REMOVE AND REPLACE THE BATTERY AND CAREFULLY REPLACE THE RUBBER COVER SO THAT IT HAS A PROPER SEAL.

Wiring Diagram



Section Three

Maintenance

- Periodically clean the fabric using a mild laundry detergent or an approved aftermarket awning or vinyl cleaner.
- When using cleaners, be sure to follow the manufacturers instructions carefully.
- Use only a soft brush for cleaning or scrubbing.
- Be sure to clean both sides of the fabric and to rinse thoroughly.
- Allow the fabric to dry completely before retracting the Carefree ONE-Touch Patio Awning.
Do not use oil based cleaners or any caustic, granulated, or abrasive type cleaners on your Carefree ONE-Touch Patio Awning.

- Replace any parts that become damaged.
- Once per camping season, clean the contacts on the electrical harness and receptacle on the side of the RV.
- Periodically check all mounting hardware, screws, lags, etc., for tightness. Re-tighten when necessary. Keep the arm assemblies clean and free of debris by periodically flushing them with low pressure water (avoid introducing water into the motorized and non-motorized housings).
- Periodically apply dry silicone lubricant to both the arm assemblies and hardware beneath the motorized and non-motorized housings.
- When storing the RV make sure the Power Control Switch Panel is in the OFF position.

Section Four

Warranty Information

CAREFREE OF COLORADO AWNINGS "TWO & FOUR" YEAR LIMITED WARRANTY

1. DURATION: *Two years* on parts, freight and labor on canopies; and *four years* parts, freight and labor on spring assemblies (or motors), rollers and hardware. Please retain dated proof of purchase (receipt). Warranty duration is not extended by the length of time the product is not in use or the time which purchaser is deprived the use of the product. The duration of coverage on parts and repairs provided as per this warranty shall be determined by the date of the original product purchase (not by the date of repairs).

2. PRODUCTS: Warranty covers all Carefree of Colorado ONE-Touch, Spirit, Fiesta, Simplicity, patio awnings and all Carefree Window Awnings installed and operated as per Warrantor's instructions.

3. WHO GIVES THIS WARRANTY (WARRANTOR);

Carefree of Colorado
a Scott Fetzer Company

Telephone: 1-303-469-1152
Fax: 1-303-460-9106
2145 West 6th Avenue
Broomfield, CO 80020

No other person or company is authorized to change or amend the Warrantor's obligations set forth in this warranty.

4. WHO RECEIVES THIS WARRANTY (ORIGINAL PURCHASER): The first ("Original Purchaser"), other than for purposes of resale, of the Carefree of Colorado product that is properly installed and operated within the continental US and Canada.

5. WHAT IS COVERED UNDER THIS WARRANTY:

Defects on the manufacturer's material and workmanship of product under normal use, and which occur within the duration of the warranty period. On all awnings, the following parts are covered only as follows:

- a) Fabrics, free from quality defects (normal wear and fading are excluded);
- (b) Roller Tube, against extrusion defects;
- (c) Springs (or Motor) Assembly(ies), against breakage; and
- (d) Hardware, against extrusion defects.

6. WHAT IS NOT COVERED UNDER THIS WARRANTY:

- A.** Fabric damage such as pinholes or tears not reported within ten (10) calendar days of purchase;
- B.** Improper installation and/or any damage or failure that results from improper installation of the product, including fabric damage caused by improper installation;
- C.** Product abuse and normal wear. "Normal wear" includes the occasional need to re-tension the awning;

D. Conditions that are not related to the material or workmanship of the product: including any failure that results from an accident, wind, rain, water pooling, or other acts of God; purchaser's abuse; neglect; failure to operate, or use or maintain the product in accordance with the instructions provided in the Owner's Manual supplied with the product; (failure to operate the product(s) in accordance with instructions in the Owner's Manual and on the product shall also include the removal or alteration of any product component or device. In the event of any such removal or alteration, this warranty is void);

E. ANY INCIDENTAL, INDIRECT, OR CONSEQUENTIAL LOSS, DAMAGE, OR EXPENSE THAT MAY RESULT FROM ANY DEFECT, FAILURE, OR MALFUNCTION OF THE CAREFREE OF COLORADO PRODUCT. Some states do not allow the exclusion or limitation on incidental or consequential damages, so the above limitation or exclusion may not apply to you.

F. Any failure that results from the use of another product with a Warrantor's product that is not specifically approved by the Warrantor.

7. RESPONSIBILITIES OF WARRANTOR UNDER THIS WARRANTY: Repair or replace at Warrantor's option, of the covered part(s) which Warrantor, in the exercise of its reasonable discretion, determines to be defective; provided that the Warrantor receives notice of the defect within the stated warranty period for that respective product/component. Warrantor will also pay the respective servicing dealer or agent for performing any repairs authorized by Warrantor as per the terms of this warranty.

8. RESPONSIBILITIES OF ORIGINAL PURCHASER UNDER THIS WARRANTY:

A. Retain dated Proof of Purchase for specific product, and provide it as requested.

B. Inspect the awning upon purchase to confirm the condition of the canopy and the proper operation of the product.

C. Perform "Periodic Preventative Maintenance" as specified in Owners Manual.

D. Deliver any product claimed or found defective during warranty period to the nearest Carefree of Colorado Authorized Service Dealer. The Original Purchaser is responsible for any expenses related to delivery or pick up of product to/from the Service Dealer. Visit carefreeofcolorado.com for the name of nearest Authorized Service Dealer, or call Carefree at the phone number shown above.

E. Use reasonable care in the operation and maintenance of the products as described in the Owner's Manual supplied with the product(s).

9. WHEN WARRANTOR WILL PERFORM REPAIR OR REPLACEMENT UNDER WARRANTY.

A. Repair or replacement will be scheduled and performed according to normal work flow at the nearest Authorized Service Dealer, and depending on the availability of replacement parts.

B. If the purchaser does not receive satisfactory results from the Authorized Service Dealer, the purchaser should contact the Carefree of Colorado Customer Service Department (see paragraph 2).

THIS WARRANTY GIVES YOU SPECIFIC LEGAL RIGHTS AND YOU MAY ALSO HAVE OTHER RIGHTS WHICH VARY FROM STATE TO STATE. No action to enforce this warranty shall be commenced later than ____30__ days expiration of the warranty period.

The Duration of this Limited Warranty also limits the duration of any implied warranty such as warranty of merchantability or fitness for a particular use or purpose. Some states do not allow such limitations so the implied warranty limitation may not apply to you.

Carefree of Colorado reserves the right to change the specifications and design of any product without notice and with no obligation to make corresponding changes to products previously manufactured.