

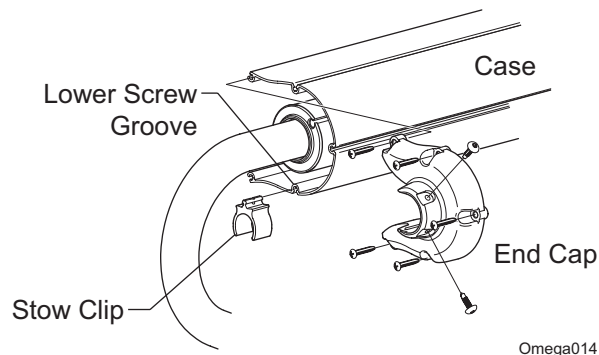
Models: Omega II

Purpose: A clip is added to the case to secure the pull strap when the awning is closed.

Summary of Work: This action consists of removing the end cap from the case, adding the clip then installing the end cap.

INSTALLING THE CLIP

1. Remove the screws holding the end cap on to the case and arm.
2. Set end cap aside.
3. Using a 3/16" drill bit, deburr the lower screw groove approximately 1 1/4". Use care to not oversize the groove. This is necessary for the clip to be able to slide into the groove.
4. Slide the clip into the lower groove of the case.
5. Reinstall the end cap. Ensure that the cap is secured to the case and arm.
6. Slide the stow clip to the area of the pull strap.
7. Secure the clip in position by tightening the #6 setscrew.

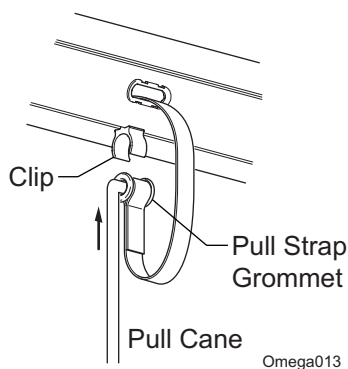


Omega014

Figure 1. Installing the Stow Clip.

STOWING THE STRAP

When the awning is open, the pull strap will hang down loosely. Use the pull cane and press the pull strap grommet into the clip to keep the strap from flopping.



Omega013

Figure 2. Stowing the Pull Strap.