



WEEKEND'R

***A Room for Campout & Freedom
Patio Awnings***

This room is designed to fit on the following models:

Campout	- Style Code 98
Freedom WM	- Style Code 35
Freedom RM	- Style Code BY



Weekend'r on Campout with optional awning mat

- ◆ ***Made of durable, lightweight polyester & vinyl material - the same material used for tents.***
- ◆ ***Does not require additional hardware attached to the RV.***

INTRODUCTION





From its beginning in the early 70's, Carefree of Colorado has emerged as the premier manufacturer of quality awnings and accessories for Recreational Vehicles (RVs). Our full line of products can provide the accessories that match your life style; no matter what type of RV you own.

Check with your dealer to discover the products that can make your life more Carefree.

TABLE OF CONTENTS

Introduction	2
First Time Preparation	3
Campout Rafter	3
Freedom Wall Mount Rafter	3
Freedom Roof Mount Rafter	4
Room Setup	5
Mounting the Front Panels	5
Mounting the Side Panels.....	6
Stake and Seal the Room.....	8
Side Panel Tension Cord.....	9
Enhancing the Wall Seal	9
Attaching the Skirt	10
Storing the Room	12
Room Care	13
Fabric Care.....	13
Mildew	13
Applications Chart	14
Carefree Major Product Limited Warranty.....	15

WARNINGS

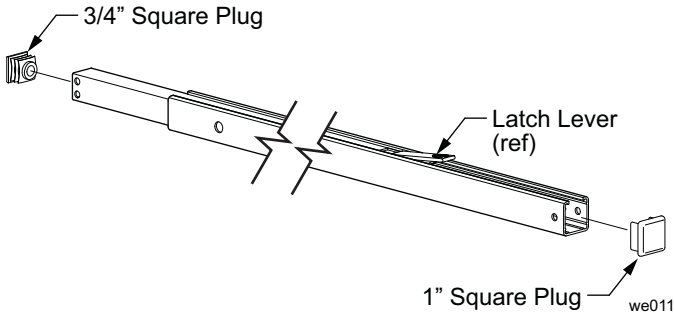
-  **KEEP ALL SOURCES OF HEAT AND FLAME AWAY FROM THE ROOM. FABRIC IS NOT FIREPROOF AND CAN BURN IF LEFT IN CONTACT WITH ANY FLAME OR HEAT SOURCE.**
 -  **NEVER USE ANY GAS-POWERED DEVICES INSIDE THE ROOM. GAS-POWERED DEVICES CONSUME OXYGEN AND PRODUCE CARBON MONOXIDE THAT IS POISONOUS AND HAS NO ODOR.**
 -  **SKIRTING MUST NOT INTERFERE WITH LP APPLIANCE OR EXHAUST VENTS. DO NOT START OR OPERATE THE ENGINE OR GENERATORS IF THE EXHAUST COMPONENTS ARE LOCATED BEHIND THE SKIRTING.**
 -  **IF SO EQUIPPED, THE AUTOMATIC ENTRY STEP OPERATION MUST BE DISABLED WHEN INSTALLING AND/OR USING THE SKIRTING.**
-

VELCRO® is the registered trade name of Velcro Industries. The term "velcro" is used to generically describe the fabric hook and loop fasteners used with the product.

FIRST TIME PREPARATION

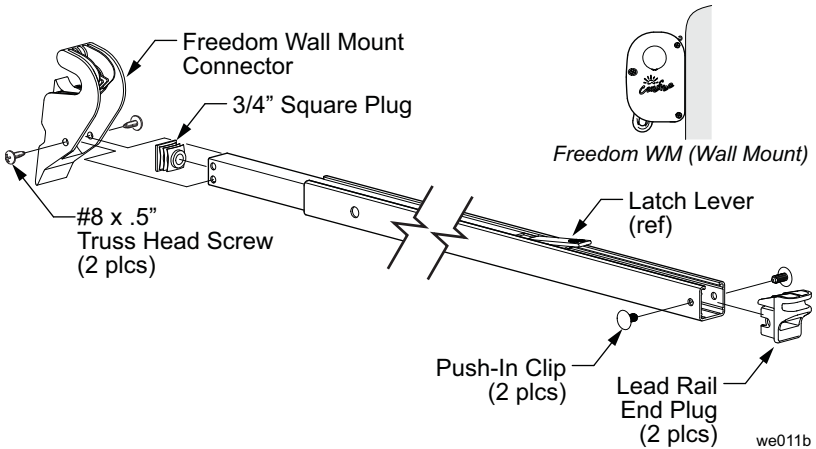
The room rafter is shipped with various end fittings to match the awning that is used. It is necessary before setting up the room to attach the correct fittings on the rafters.

CAMPOUT RAFTER



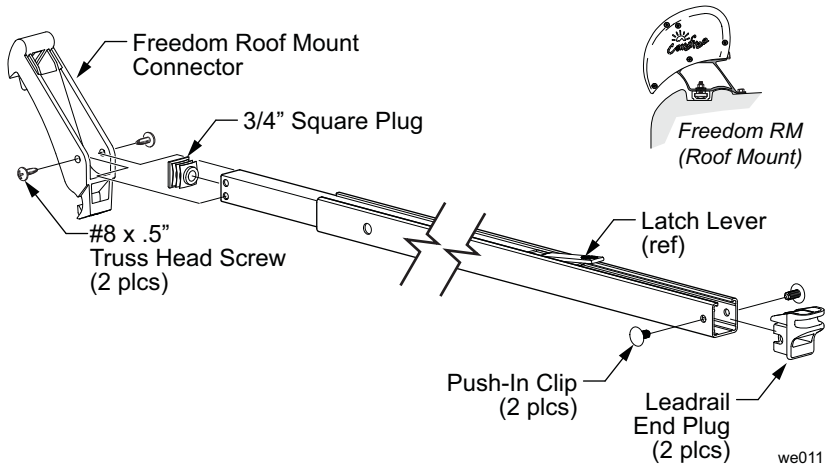
1. Locate the 3/4" square plug and press fit into the small channel.
2. Locate the 1" square plug and press fit into the larger channel.
3. Repeat steps 1 & 2 for the second rafter.

FREEDOM WALL MOUNT RAFTER



1. Locate the 3/4" square plug and press fit into the small channel.
2. Locate the Freedom Wall Mount case connector, slide it over the small channel and plug. Note the orientation as shown.
3. Attach the connector using two (2) #8 x .5" truss head screws through the connector and bottom holes of the small channel. Do not overtighten.
4. Insert the leadrail end plug into the large channel. Note the orientation as shown.
5. Attach the end plug by pressing the push-in clips through the channel and into the end plug.
6. Repeat for the second rafter.

FREEDOM ROOF MOUNT RAFTER



1. Locate the 3/4" square plug and press fit into the small channel.
2. Locate the Freedom Roof Mount case connector (marked with "RM"), slide it over the small channel and plug. Note the orientation as shown.
3. Attach the connector using two (2) #8 x .5" truss head screws through the connector and bottom holes of the small channel. Do not overtighten.
4. Insert the leadrail end plug into the large channel. Note the orientation as shown.
5. Attach the end plug by pressing the push-in clips through the channel and into the end plug.
6. Repeat for the second rafter.

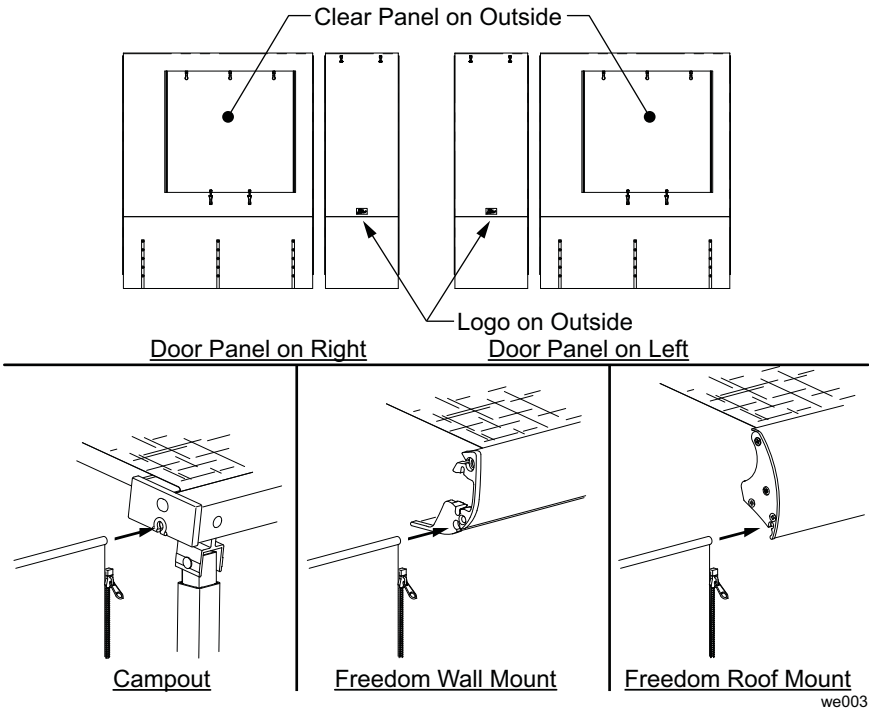
ROOM SETUP

MOUNTING THE FRONT PANELS

1. Extend the awning out according to the manufacturer's instructions. Set the support legs in the vertical (carport) position.

NOTE: For the Freedom Wall Mount, leave one leg stored until the front panel has been installed. This is to allow access to the slot in the lead rail.

2. The front panel consists of a door panel and a window panel. These panels can be arranged with the door on the right or the left. For 4.5 and 5 meter rooms, an extension panel is also included. The extension panel can be placed on either end or in-between the door and window.



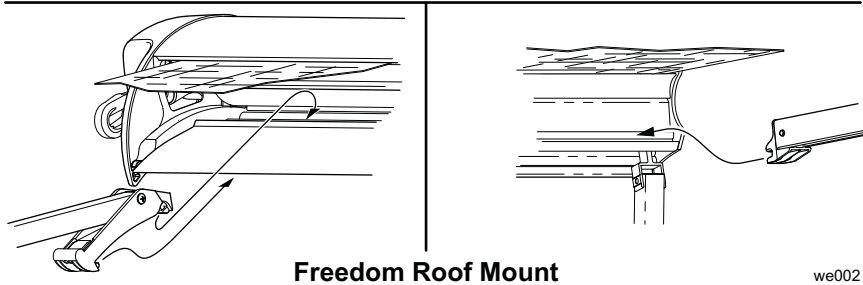
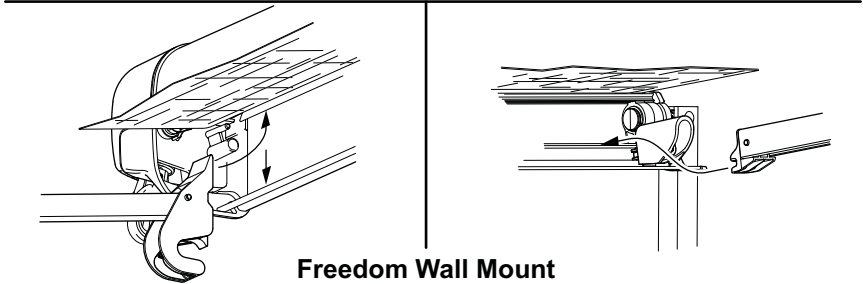
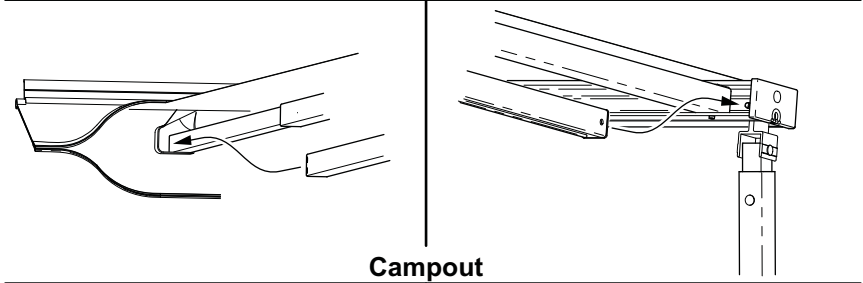
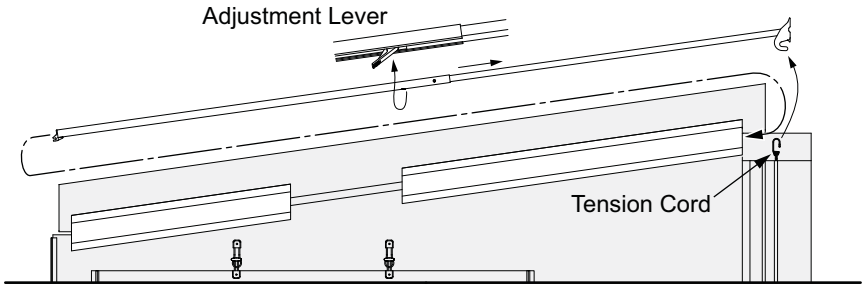
Tip: Before installing the front panels, clean the slot in the lead rail and lightly spray the inside of the slot with a dry silicone lubricant. This will aid with sliding the panels into the slot.

3. Slide the front panel sections into the slot of the lead rail. The clear plastic window goes to the outside, as does the logo on the door.

Tip: For ease of handling, unzip the individual panels and slide one panel at a time.

4. Zip the front panels together and center in the lead rail.
5. If not previously done, extend and set both of the vertical support legs in the carport (vertical) position.

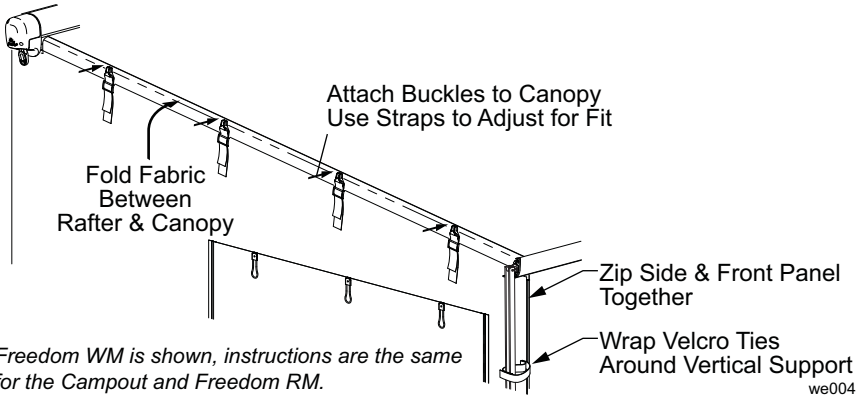
MOUNTING THE SIDE PANELS



we002

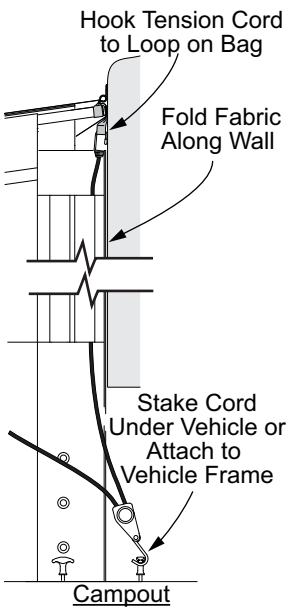
1. Open the adjustment lever on the room rafter and extend the rafter.
2. Slide the rafter into the inside pockets of the side panel as shown. Note the orientation of the connectors. For the campout, the large end goes to the front.
3. For the Freedom awnings, attach the tension cord hook to the connector.
4. For the Campout awning:
 - 4.1. Lift the rear end of the rafter and insert into the same loop used by the awning rafter.
 - 4.2. Lift the front of the rafter up. Slide the end of the rafter into the leadrail next to the awning rafter.
5. For Freedom awnings:
 - 5.1. Lift the rear end of the rafter and hook into the awning case. The rafter end slides up into the case extrusion and then down to lock into place.
 - 5.2. Lift the front of the rafter up. Slide the end of the rafter over the protrusion in the lead rail.
6. Extend the rafter for a snug fit then lock the lever.
7. Repeat for the other side.
8. Adjust the awning's vertical support legs until the side panels hang straight.

STAKE AND SEAL THE ROOM

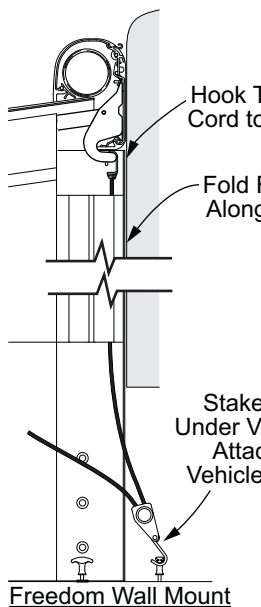


Freedom WM is shown, instructions are the same for the Campout and Freedom RM.

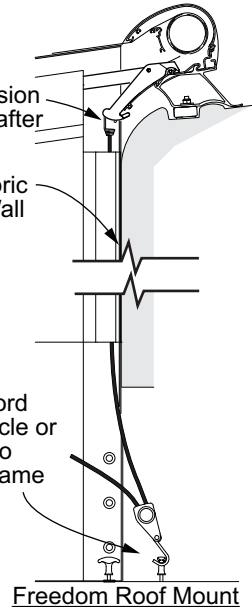
1. Zip the front and side panels together.
2. Wrap the velcro ties around the vertical support legs.
3. At the top, fold the fabric between the rafter and canopy.
4. Attach the side buckles to the canopy. Adjust the straps for a snug fit.
5. At the back, fold the fabric along the vehicle wall.



Campout



Freedom Wall Mount



Freedom Roof Mount

6. Campout: At the top, hook the tension cord into the loop on the back of the bag.
7. Freedom: If not previously done, hook the tension cord into the rafter connector.
8. Drive a stake slightly under the vehicle then hook the bottom of the tension cord to the stake. or Hook the cord to the vehicle frame. Tighten the cord as required. Refer to next page about using the ratchet tie-down.
9. Fold the bottom of the front and side panels and stake using the grommets.

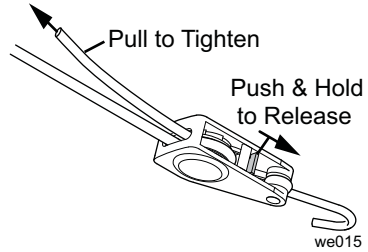
SIDE PANEL TENSION CORD

The Weekend'r Room is shipped with a tensioning cord installed in the side panels. The top of the cord has a standard hook that attaches to the rafter adaptors.

The bottom of the cord has a ratchet tie-down that attaches to a stake or the vehicle frame.

To use the ratchet tie-down:

- After placing the hooks, simply pull the open end of the cord. The cord stays in place until released.
- To release: Press and hold the thumb latch. The cord will be loose and can be pulled away from the tie-down.

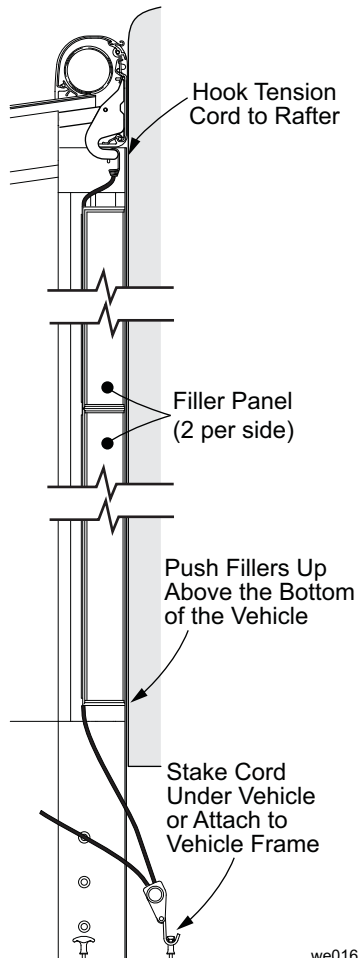


ENHANCING THE WALL SEAL

The room provides a basic closure with the vehicle sidewall. In some cases, you may find it desirable to enhance the sealing along the wall. In the bag are foam filler panels designed to provide added closure.

1. Lift the panels up and position in the corner of the room. Note that the cord goes to the side opposite the vehicle.
2. Place the top hook into the rafter adaptor (the loop for campouts).
3. Attach the bottom hook to the stake under the vehicle or to the vehicle frame.
4. Tension the cord.

NOTE: Make sure that the filler panels are pushed up and above the bottom of the vehicle.

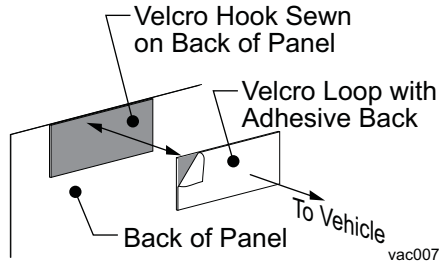


ATTACHING THE SKIRT

The skirt panels attach to the vehicle with velcro strips. The velcro "loop" half is adhered to the vehicle wall.

For first time installations, thoroughly clean the vehicle wall where the panels are to be placed. Remove all grease, dirt and wax from the area¹.

Remove the release paper from the back of the velcro pads.

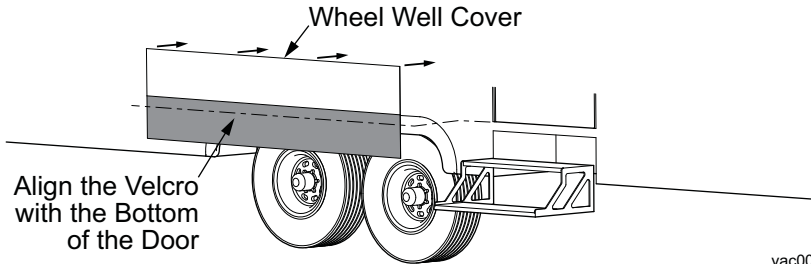


Position the panel and press the velcro against the wall. Allow the adhesive to set 24 hours for a complete bond.

NOTE: For panels that cross the wheel well cover, remove the loop pad from the skirt. The material at the bottom of the wheel well panel has a velcro acceptable nap to hold the panel's velcro hook.

The illustrations below use the bottom of the door to align the top of the panels. The panels can be positioned higher or lower within the height limits of the panels.

1. Center the long, narrow wheel well cover over the wheel well. Align the lower velcro material with the bottom of the door. Attach the velcro pads to the vehicle wall.



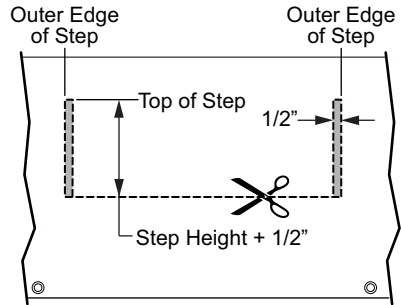
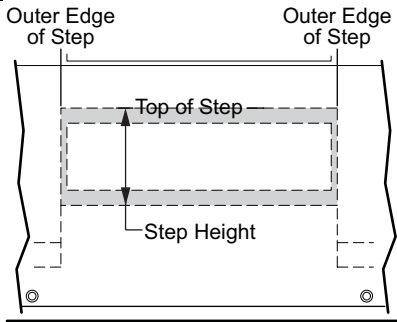
2. Starting where the room side panel meets the vehicle wall, position the skirt panel and attach the velcro. Continue attaching the velcro along the length of the room.

NOTE: The vinyl panel is 4 meters long. You may find it desirable to mark and trim any excess material that extends past the room. Be sure to trim after the velcro pads so that the corners of the skirt can be attached.

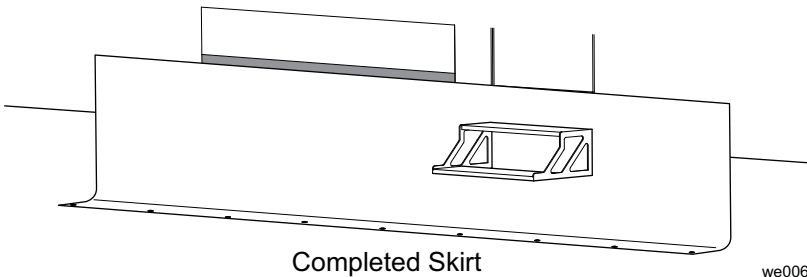
¹ To remove wax, it is necessary to use a pre-wax cleaner or polisher. These are commercially available at automotive supply stores.

3. If the panel goes across the entry step:

- With the panel attached to the RV wall, carefully mark the location of the top, side edges of the step.
- Remove the skirt from the RV and lay on a flat clean surface.
- Measure the height of the step.
- On the skirt, measure and cut a 1/2" slot from the marks made in step 1. the slot should be the height of the step + 1/2"
- Draw and cut a straight line between the bottoms of the slots. This creates a flap in the fabric.
- Slide the skirting over the step and tuck the flap behind the stair tread. Attach the skirting to the velcro.



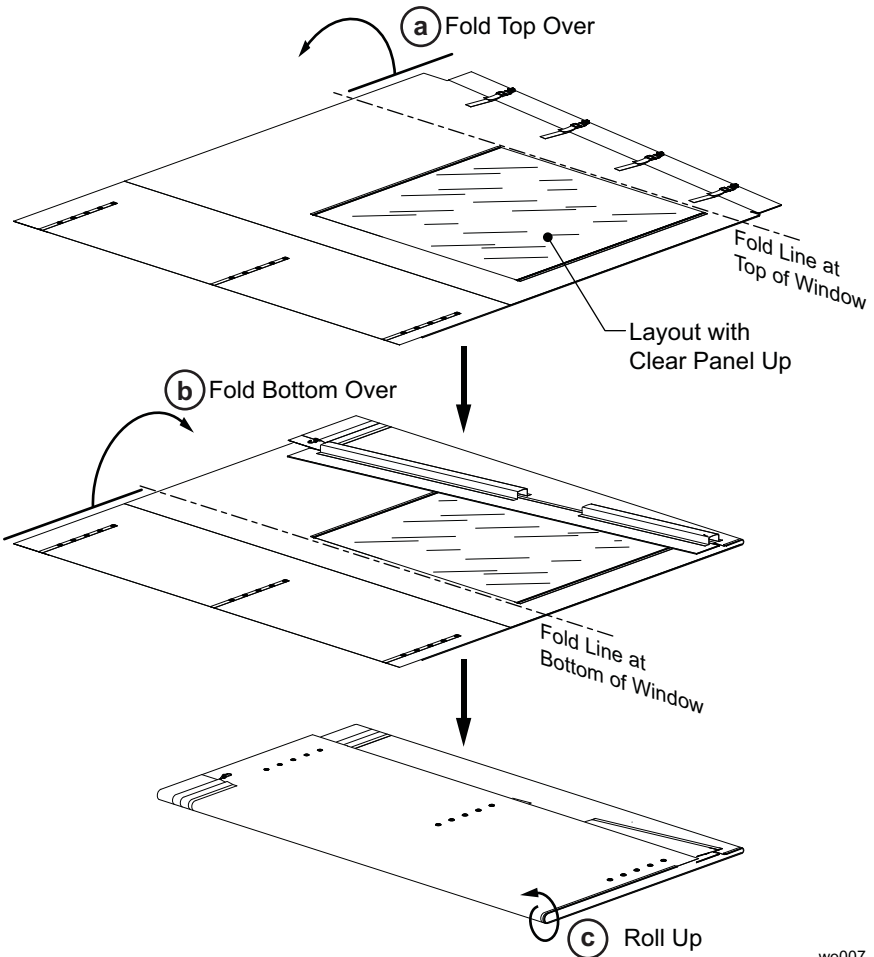
we005



we006

STORING THE ROOM

1. Remove the stakes and store.
2. Unfasten all buckles and clamps.
3. Unzip the front and side panels.
4. Remove the side panels.
5. Remove and store the rafters.
6. Slide the front panel sections out of the lead rail.
7. Lay the panels out flat with the privacy panels down (clear panels up). Fold each of the panels using the method shown and pack in the bag.



we007

ROOM CARE

Maintaining a Carefree Room is easy. Just follow these basic steps:

- Always use the room according to the instructions.
- Keep the awning fabric and arms clean.

FABRIC CARE

CAUTION

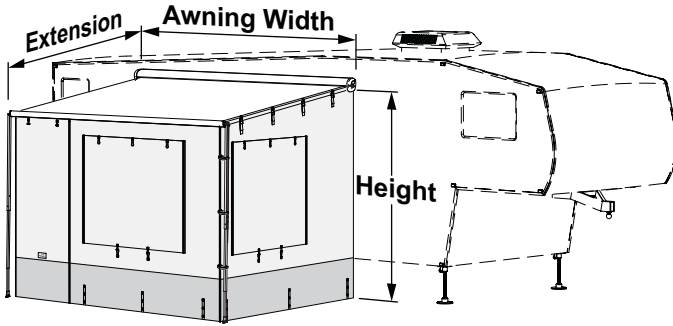
DO NOT USE OIL BASED CLEANERS OR ANY CAUSTIC, GRANULATED, OR ABRASIVE TYPE CLEANERS ON YOUR CAREFREE PRODUCT.

1. One of the best ways to keep the fabric looking good and to delay the need for deep or vigorous cleanings is to hose fabrics off on a monthly basis with clear water. This practice will help prevent dirt from becoming deeply imbedded in the fabric. In most environments, a thorough cleaning will be needed every two to three years.
2. When it is time for a thorough cleaning, the fabric can be cleaned while still on the awning frame. Use a soft brush and warm water with soap.
3. When cleaning the fabric, it is important to observe the following:
 - Always use a natural soap, never detergent.
 - Water should be cold to lukewarm, never more than 100°F.
 - Air-dry only. Never apply heat to the fabric.
 - Always allow the fabric to dry thoroughly before storing the room.

MILDEW

Mildew is a fungus growth that looks like dirt. Under ordinary conditions, mildew will not appear. However, in areas where high temperature and humidity are common, mildew can be a problem and require the material to be washed more frequently. Thoroughly rinse the fabric with clean water and allow to air dry completely before storing the room.

APPLICATIONS CHART



we009

FREEDOM WM (STYLE CODE 35) & FREEDOM RM (STYLE CODE BY)

Awning Width	Extension	Height ¹
2.57 m [101"]	200 cm [79"]	V
3.0 m [118"]	249 cm [98"]	M, L
3.5 m [138"]	249 cm [98"]	M, L
4.0 m [157"]	249 cm [98"]	M, L
4.5 m [177"]	249 cm [98"]	M, L
5.0 m [197"]	249 cm [98"]	M, L

CAMPOUT (STYLE CODE 98)

Awning (Bag) Width	Extension	Height ¹
2.57 m [101"]	200 cm [79"]	V
3.0 m [118"]	249 cm [98"]	M, L
3.5 m [138"]	249 cm [98"]	M, L
4.0 m [157"]	249 cm [98"]	M, L

- | | | |
|------------|--------------|--------------|
| V (Van) | 180 - 220 cm | [71" - 87"] |
| M (Medium) | 220 - 250 cm | [87" - 98"] |
| L (Large) | 250 - 280 cm | [98" - 110"] |

For Freedom: Measure from bottom of case to ground

For Campout: Measure from awning rail to ground

CAREFREE MAJOR PRODUCT LIMITED WARRANTY

Carefree of Colorado (hereafter referred to as Carefree) warrants to the first retail Purchaser that the Carefree Product is free of defects in material and workmanship within the terms and conditions as set forth in the warranty statement available online at www.carefreeofcolorado.com. Carefree's obligation under this warranty is limited to the repair or replacement, at Carefree's option, of any defective component with new or factory refurbished components.

OWNER MUST RETAIN THE ORIGINAL PROOF OF PURCHASE AND/OR HAVE THE PRODUCT WARRANTY REGISTRATION ON FILE AT CAREFREE FOR WARRANTY CLAIMS.

THIS WARRANTY IS NOT TRANSFERABLE.

For

- Warranty Duration;
- Warranty Coverage and Exclusions;
- Warranty Terms of Coverage; and,
- Warranty Claim Procedures

Refer to publication
052580-111 "Carefree Major Product Limited Warranty"
available online at
www.carefreeofcolorado.com

Register your Carefree products on-line at www.carefreeofcolorado.com

Publications available on-line @ www.carefreeofcolorado.com:

052565-001 Owner's Manual

IMPORTANT NOTICE: It is strongly recommended that adjustments and repairs not described in this book be performed by trained technicians at your Authorized Carefree Dealer. Work performed by non-authorized persons or businesses may void warranty.

