

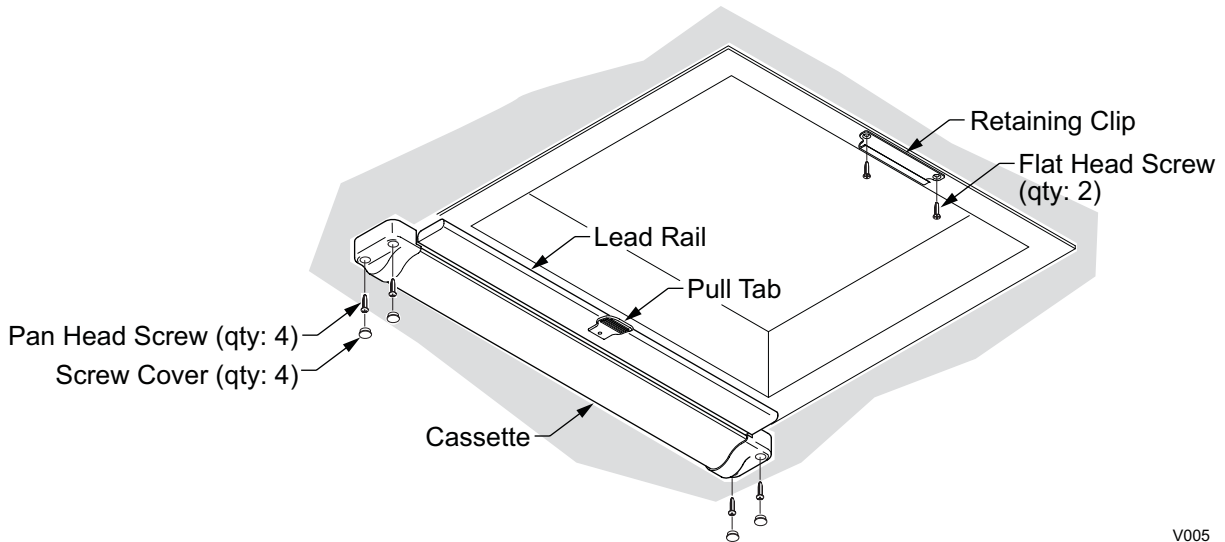


VENT SHADE

COMPONENT CHECK LIST

COMPONENT	QTY	COMPONENT	QTY
• Shade Assembly	1	• Retaining Clip	1
• Phillips Pan Head Screws	4	• Phillips Flat Head Screw	2
• Screw Covers	4		

INSTALLATION



V005

1. Center the shade cassette on the rear flange surrounding the vent opening or to the edge of the vent opening and attach using four (4) phillips pan head screws. Verify the screws attach securely to a support member.
2. Press the screw caps over the screws.
3. Center the retaining clip on the opposite side of the vent opening. Align the clip with the pull-tab on the lead rail and attach using the two (2) phillips flat head screws.

CARE AND MAINTENANCE

1. Use an approved vinyl cleaner and gently clean the fabric. Do not scrub.
NOTE: Do not use bleach or abrasive cleansers.
2. Periodically inspect and tighten any loose screws as necessary.

LIMITED WARRANTY

Carefree of Colorado (hereafter referred to as Carefree) warrants to the FIRST retail Purchaser that the Vent Shade is free of defects in material and workmanship for one (1) year from original date of purchase.

This warranty does not apply to damages that are the result of improper installation, misuse or neglect. In addition, wear and fading from normal use is excluded from this coverage.

WARRANTY CLAIM PROCEDURE

1. Retain a copy of the original purchase receipt.
2. If the product is found defective within the warranty period, return the product along with the original purchase receipt to your qualified Carefree dealer.
3. All returns are for product replacement only. No returns for cash or credit are accepted.
4. Carefree does not cover any costs associated with delivery or return of the product.