



INSTALLATION MANUAL

SUNBLOCKER

Awning Accessory

The SunBlocker easily mounts into the awning roll bar without tools.

! WARNING This product can expose you to chemicals including Di-isodecyl phthalate (DIDP), Vinyl Chloride and Formaldehyde, which are known to the state of California to cause cancer or birth defects or other reproductive harm. For more information visit www.P65warnings.ca.gov



! WARNING Risk of fire. Keep all sources of heat and flame away from the SunBlocker. Fabric is NOT fireproof.

NOTICE Set the awning power switch to off to prevent the awning from retracting when the SunBlocker is installed.

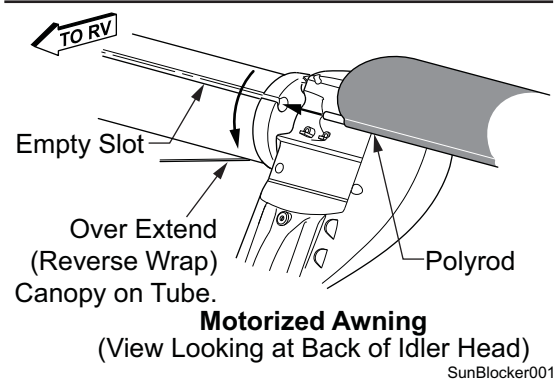
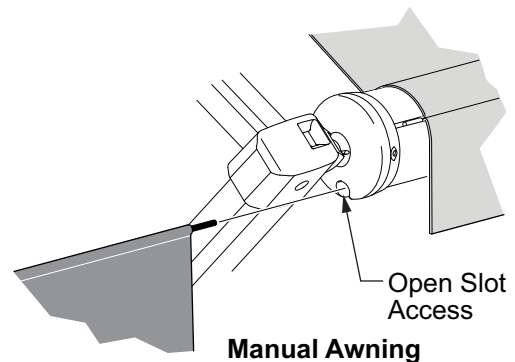
NOTICE Do not roll up the awning with the SunBlocker in the awning. The awning may not operate correctly and damage to the awning canopy and SunBlocker fabric may occur.

SETUP

1. Open and set the awning according the manufacturer's instructions.
 - For manual awnings: open the awning so that the open slot access is exposed below the awning arm.
 - For motorized awnings: over extend the awning so that the empty slot of the roller tube aligns with the groove in the back of the idler head.

Tip: Leave the awning at the lowest pitch (if adjustable) to easily reach the roll bar.

2. For manual awnings: slide the pull strap down to the opposite end of the roll bar.
3. Unfold the SunBlocker.
4. Slide the edge with the polycord into the empty slot.
5. Close the awning so that the fabric and roller tube are in the correct positions. Set the awning to the desired height following the awning manufacturer's instructions.
6. Use the supplied stakes and cord to secure the bottom of the fabric through the eyelets.
7. To take down the SunBlocker, follow the directions in reverse order.



FABRIC CARE

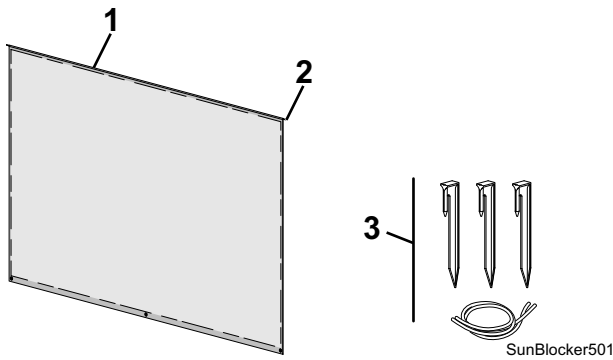
NOTICE Do not use oil based cleaners or any caustic, granulated, or abrasive type cleaners.

1. One of the best ways to keep the fabric looking good and to delay the need for deep or vigorous cleanings is to hose fabrics off on a monthly basis with clear water. This practice will help prevent dirt from becoming deeply imbedded in the fabric. In most environments, a thorough cleaning will be needed every two to three years.
2. When it's time for a thorough cleaning, the fabric can be cleaned while still on the awning frame. Use a soft brush and warm water with soap.
3. When cleaning the fabric, it is important to observe the following:
 - Always use a natural soap, never detergent.
 - Water should be cold to lukewarm, never more than 100°F.
 - Air-dry only. Never apply heat to the fabric.
 - Always allow the fabric to dry thoroughly before folding and storing.

Mildew

Mildew is a fungus growth that looks like dirt. Vinyl coated polyester fabrics are mildew resistant because of a chemical biocide in the vinyl coating. Under ordinary conditions, mildew will not appear. However, in areas where high temperature and humidity are common, mildew can be a problem and required the material to be washed more frequently. Thoroughly rinse the fabric with clean water and air dry completely before folding and storing.

ILLUSTRATED PARTS LIST



Item	Part Number	Description	Note
1	8210XX02	SunBlocker	10 ft
	8215XX02		15 ft
	8217XX02		17 ft
2	041046nn	Polyrod	3/16"
3	R012733-001	Hardware Pack (includes three of each)	
Notes: 1. XX = Color 2. nn = Length in feet			

LIMITED WARRANTY

Carefree of Colorado (hereafter referred to as Carefree) warrants to the FIRST retail Purchaser that the SunBlocker is free of defects in material and workmanship for one (1) year from original date of purchase.

This warranty does not apply to damages that are the result of improper installation, misuse or neglect. In addition, wear and fading from normal use is excluded from this coverage.

WARRANTY CLAIM PROCEDURE

1. Retain a copy of the original purchase receipt.
2. If the product is found defective within the warranty period, return the product along with the original purchase receipt to your qualified Carefree dealer.
3. All returns are for product replacement only. No returns for cash or credit are accepted.
4. Carefree does not cover any costs associated with delivery or return of the product.