



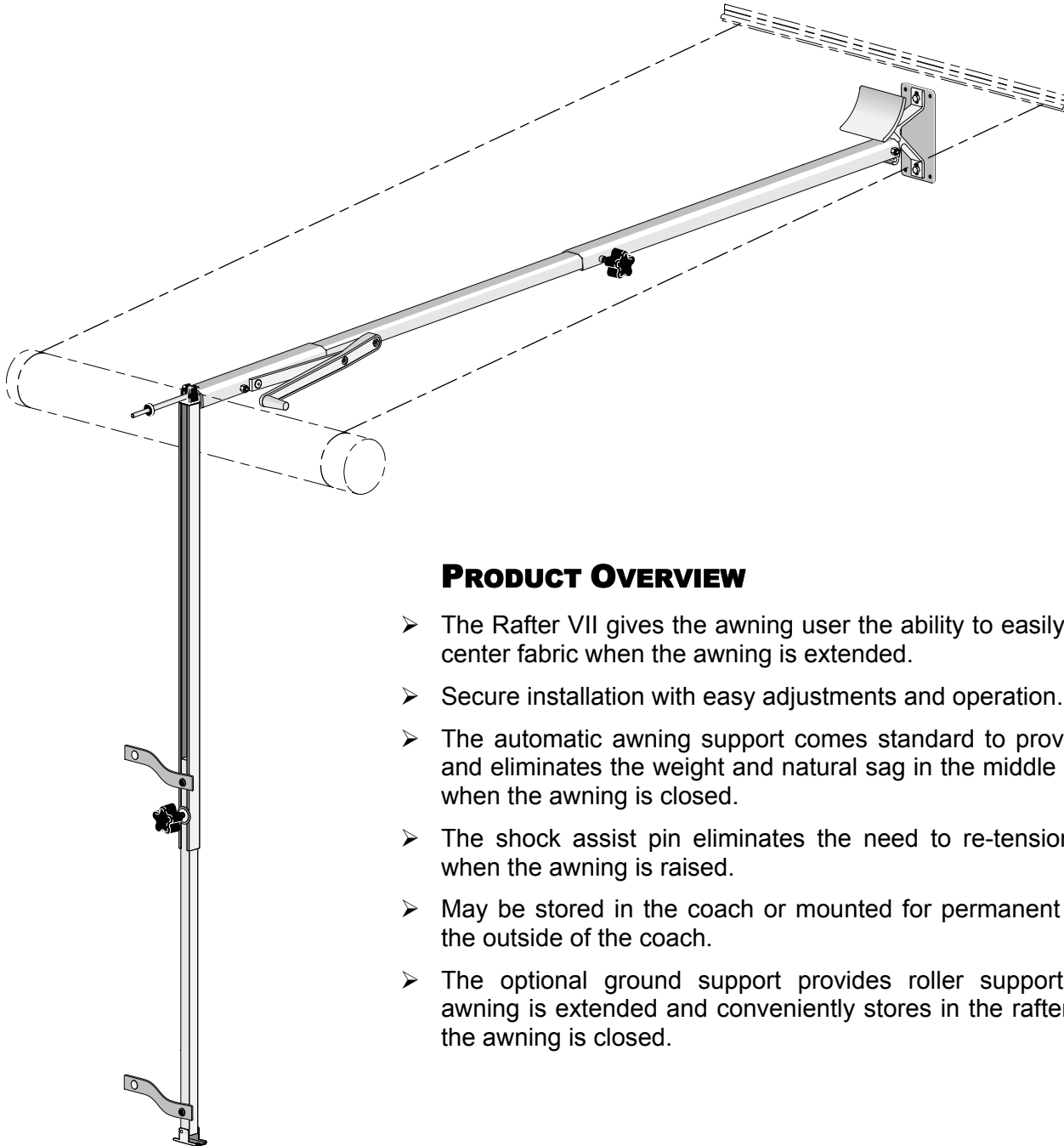
RV Accessory

CAREFREE

RAFTER VII

WITH AUTOMATIC AWNING SUPPORT

Installation and Operation



PRODUCT OVERVIEW

- The Rafter VII gives the awning user the ability to easily tighten the center fabric when the awning is extended.
- Secure installation with easy adjustments and operation.
- The automatic awning support comes standard to provide support and eliminates the weight and natural sag in the middle of the roller when the awning is closed.
- The shock assist pin eliminates the need to re-tension the rafter when the awning is raised.
- May be stored in the coach or mounted for permanent storage on the outside of the coach.
- The optional ground support provides roller support when the awning is extended and conveniently stores in the rafter arm when the awning is closed.

TABLE OF CONTENTS

Installation	1
Installing the Automatic Awning Support	1
Mounting the Storage Bracket	2
Attaching the Rafter Arm	2
Removable Arm Installation	2
Permanent Arm Installation	2
Preparing the Roll Bar	2
Operation	3
Setup	3
Storage	4
Arm Care	4
Hardware Maintenance	4
Limited Warranty	5

SAFETY INFORMATION

WARNING

A WARNING INDICATES A POTENTIALLY HAZARDOUS SITUATION WHICH , IF NOT AVOIDED, COULD RESULT IN DEATH OR SERIOUS INJURY AND/OR MAJOR PROPERTY DAMAGE.

CAUTION

A CAUTION INDICATES A POTENTIALLY HAZARDOUS SITUATION THAT MAY CAUSE MINOR TO MODERATE PERSONAL INJURY AND/OR PROPERTY DAMAGE. IT MAY ALSO BE USED TO ALERT AGAINST UNSAFE PRACTICES.

NOTE: A note indicates further information about a product, part, or step.

Tip: A tip provides helpful suggestions.

Safety Notes:

- Always wear appropriate safety equipment (i.e. goggles).
- Always use appropriate lifting devices and/or helpers when lifting or holding heavy objects.
- When using fasteners, use care to not over tighten. Soft materials such as fiberglass and aluminum can be "stripped out" and lose the ability to grip.

INSTALLATION

INSTALLING THE AUTOMATIC AWNING SUPPORT

NOTE: If the support is to be mounted for storage on the outside of the coach, the installation requires a minimum flat mounting surface of 78" measured vertically from the awning rail. Refer to Figure 2 on page 2.

1. If open, close the awning.

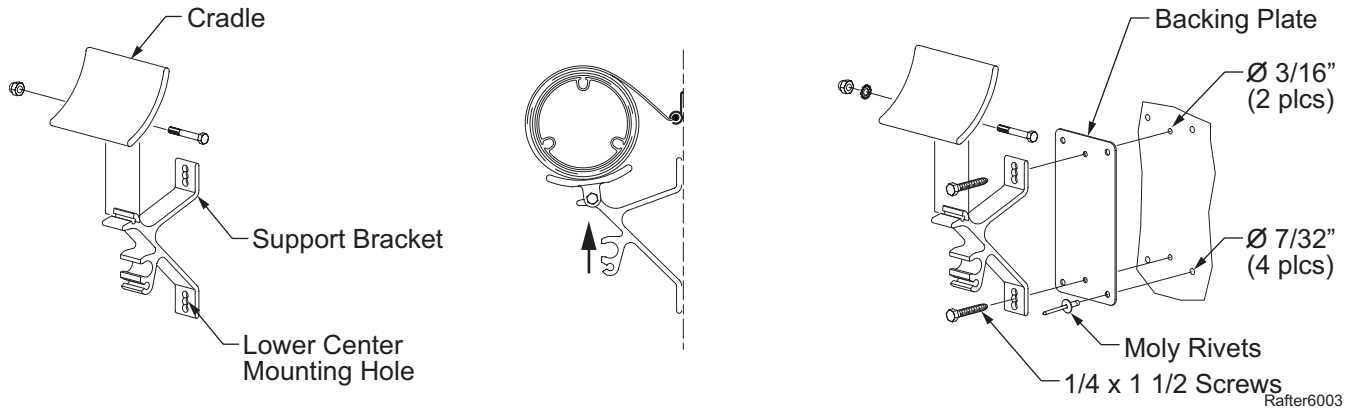


Figure 1. Installing the Awning Support.

2. Temporarily attach the cradle to the support bracket using the supplied screw and acorn nut.
3. Position cradle and bracket beneath the roller as shown.
 - For vinyl awnings: Press the cradle and bracket upward until the cradle is seated against the fabric.
 - For awnings with alumaguard: Press the cradle and bracket upward until the slack in the metal slats of the alumaguard is removed.

⚠ CAUTION

DO NOT LIFT THE SUPPORT SO THAT THE ROLLER TUBE IS IN TENSION. DOING SO CAN CAUSE THE SUPPORT TO INTERFERE WITH PROPER OPERATION OF THE AWNING AND CAUSE DAMAGE TO THE SUPPORT AND/OR ALUMAGUARD METAL WRAP IF INSTALLED.

4. Mark the position of the lower center mounting hole of the support bracket. Set the cradle and bracket aside.
5. Open the awning and raise it to the highest pitch. This is to provide access clearance to attach the components.
6. Align the backing plate with the mark made previously. Ensure that the plate is perpendicular to the awning rail.
7. Using the backing plate as a template, drill four (4) 1/4" holes through the corners and into the outside coach wall. Use care to not drill through the interior portion of the wall.
8. Attach the plate using 4 moly rivets.
9. Through the two center holes of the plate, drill two 3/16" pilot holes.
10. Remove the cradle from the support.
11. Attach the support bracket to the backing plate and coach wall using two 1/4 x 1 1/2 screws.
12. Attach the cradle to the support bracket using the supplied screw, lock washer and cap nut. Tighten the nut fully.

Tip: Lightly spray the mounting holes of the cradle and the shaft of the screw with a dry silicone lubricant before assembling.

MOUNTING THE STORAGE BRACKET

The storage bracket is used to secure the rafter arm when the arm is not being used. The bracket is required when the rafter arms are permanently attached to the outside of the vehicle.

1. Use a non-permanent method of marking; draw a vertical line down from the center of the support bracket.
2. Center the storage bracket on the line and at the floor line of the vehicle. Confirm that the minimum distance from the awning rail to the bottom of the storage bracket is 78". If necessary, adjust the support vertically to meet the minimum dimension.
3. Using the bracket as a template, drill two 3/16" pilot holes into the mounting surface.
4. Attach the storage bracket using two (2) 1/4 x 1 1/2 screws.

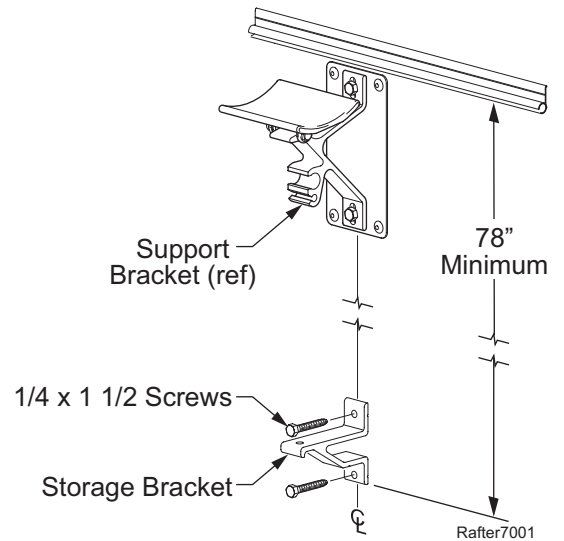


Figure 2. Mounting the Storage Bracket.

ATTACHING THE RAFTER ARM

The support bracket is designed to allow two methods of mounting the rafter arm. The arm can be removable for storage in the vehicle or the arm can be mounted for permanent storage on the outside.

Removable Arm Installation

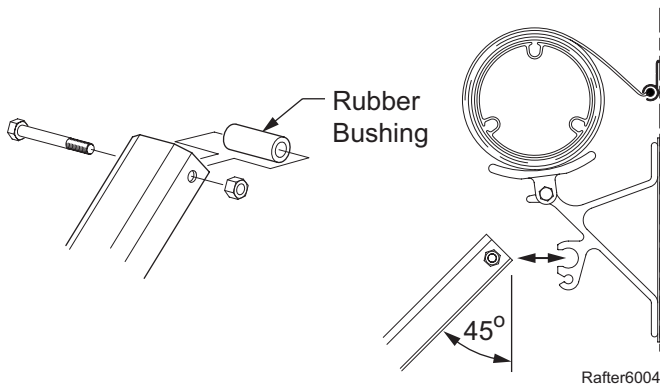


Figure 3. Removable Arm Installation.

1. Attach the rubber bushing inside the upper channel using the supplied screw and lock nut.
2. Holding the arm at 45 degrees, press the rubber bushing into the large slot of the support bracket.

Permanent Arm Installation

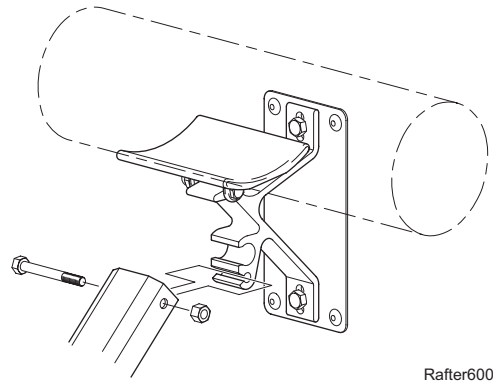


Figure 4. Permanent Arm Installation.

1. Remove the screw and nut if installed.
2. Slide the end of the rafter arm over the bracket and align the channel holes with the small slot in the support.
3. Attach the arm using the supplied screw and lock nut.

PREPARING THE ROLL BAR

1. Extend the awning per the awning instructions.
2. Swing the rafter arm up to the roll bar. It will be necessary to loosen the black adjustment knob to extend the arm out. Ensure that the arm is horizontally perpendicular to the coach and mark the location of the pin on the rollbar.
3. At the mark in step 2, measure down 1/2" from the slot with the fabric.
4. Drill a 5/16" hole into the rollbar. Use care to not damage the fabric.
5. Clean and deburr the hole to remove any debris and sharp pieces of exposed aluminum.

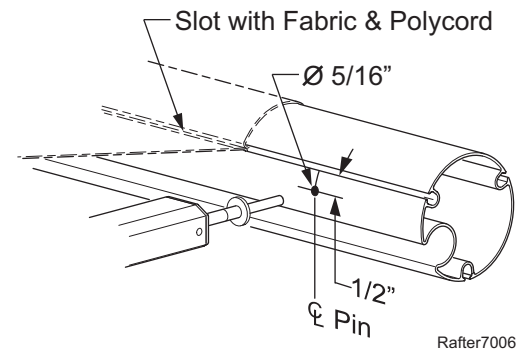


Figure 5. Drilling the Roll Bar.

OPERATION

SETUP

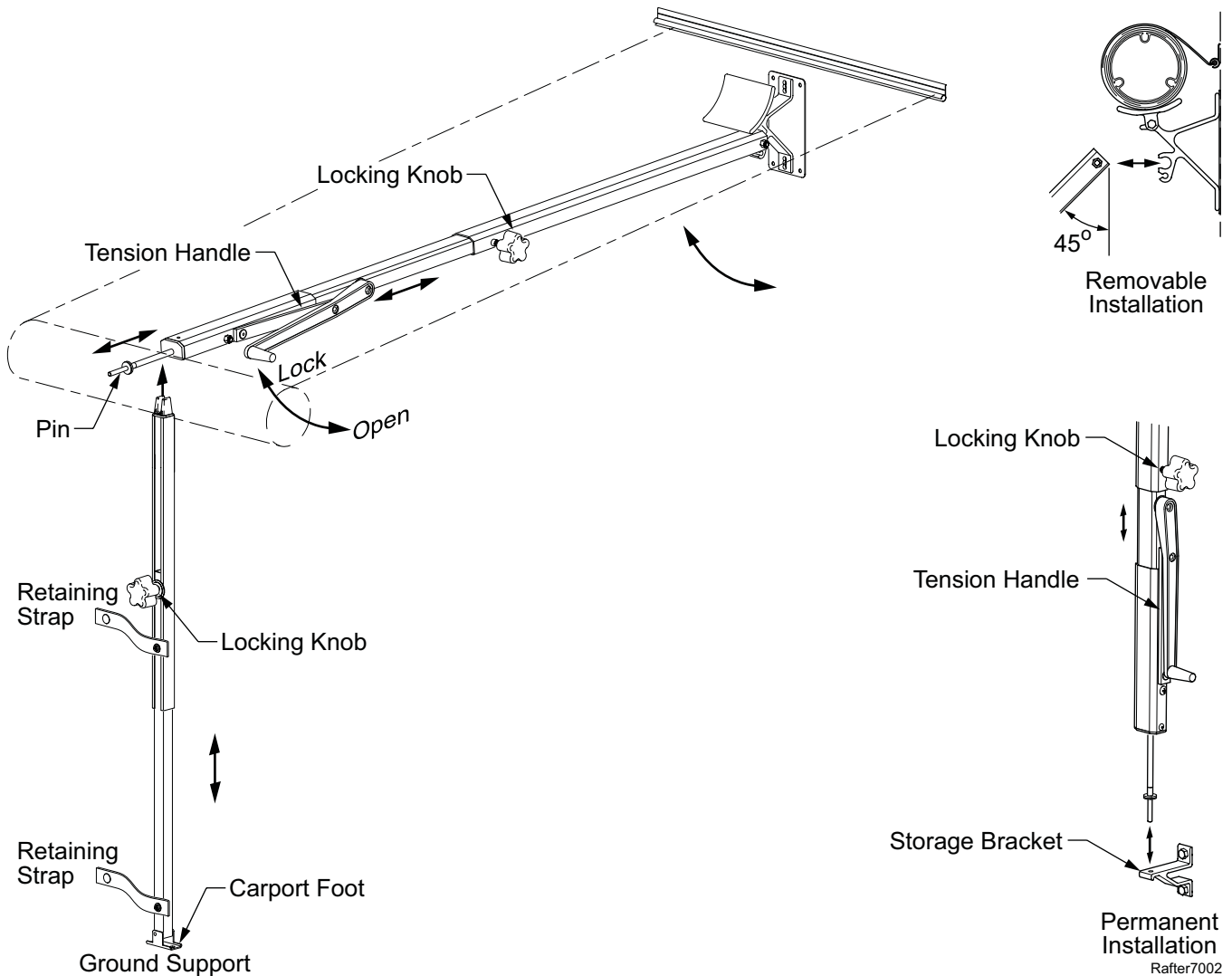


Figure 6. Setting Up the Rafter VI.

1. Follow the directions for the awning and extend the awning completely. Extend the awning arms to the desired height.
2. *For removable arms:*
 - Holding the arm at approximately 45° firmly press the rubber bushing (inside the channel) into the large slot of the support bracket.
 - If the arm is equipped with the ground support, release the retaining straps, remove the support and set aside.
 - Loosen the locking knob on the arm.
3. *For permanent mount arms:*
 - Loosen the locking knob on the arm and slide the pin up and out of the storage bracket.
 - If the arm is equipped with the ground support, release the retaining straps, remove the support and set aside.
4. Open the tension handle.
5. Rotate the arm up, slide the channel out and insert the pin into the hole in the awning roll bar. Tighten the arm locking knob.

6. Close the tension handle. If the handle does not close, loosen the locking knob and adjust the length of the rafter as required.

CAUTION

IF THE AWNING ARMS ARE TO BE PLACED IN THE CARPORT POSITION, THE FOLLOWING ITEMS MUST BE DONE TO PREVENT DAMAGE TO THE AWNING OR RAFTER,:

- **DO NOT LOCK (CLOSE) THE TENSION HANDLE UNTIL AFTER THE AWNING ARMS ARE SET.**
 - **FOR AWNINGS WITH A ROLL BAR LOCK (I.E. THE CAREFREE SPIRIT OR FIESTA), THE LOCK MUST BE PLACED IN THE "CLOSE" POSITION WHILE THE AWNING ARMS ARE BEING SET IN THE CARPORT POSITION.**
 - **AFTER SETTING THE ARMS IN THE CARPORT POSITION, SET THE ROLLBAR LOCK TO THE "OPEN" POSITION AND CLOSE THE TENSION HANDLE OF THE RAFTER.**
7. If the rafter is equipped with the ground support; place the support yoke around the pin, next to the rafter channel and loosen the locking knob of the support.
 8. Extend the support to the ground. While holding the foot on the ground, lift the upper channel to place a LIGHT amount of tension on the rafter. Tighten the support's locking knob.
 9. Secure the support to the ground with stakes.

STORAGE

1. Remove the ground stakes holding the vertical support.
2. Loosen the ground support locking knob, slide the lower channel into the upper channel and tighten the locking knob.
3. Open the tension handle of the rafter.
4. Loosen the locking knob and slide the rafter together.
5. *For removable arms:*
 - Close the tension handle.
 - Tighten the locking knob.
 - Hold the arm out at approximately 45° and sharply pull the arm from the upper support bracket.
 - Store the rafter in the vehicle.
6. *For permanent mount arms:*
 - Close the tension handle.
 - Rotate the vertical support into the rafter channel and secure with the retaining strap.
 - Rotate the arm down and place the pin into the storage bracket.
 - To avoid possible rattling, open the tension handle toward the coach, lift the upper channel then tighten the locking knob. Close the handle.

ARM CARE

The best method of keeping the arms and braces operating smoothly is to clean them. Dirt and debris can cause the channels not to slide easily.

Periodically wash out the channels with running water (i.e. a hose) to keep them clean. If the channels still do not slide easily, lightly spray the inside of the channels with a dry silicone lubricant after the arms have been cleaned and dried thoroughly.

Hardware Maintenance

- Replace any parts that become damaged.
- Periodically check all mounting hardware, screws, lags, etc., and re-tighten when necessary.

LIMITED WARRANTY

Carefree of Colorado (hereafter referred to as Carefree) warrants to the FIRST retail Purchaser that the Rafter VI is free of defects in material and workmanship for one (1) year from original date of purchase.

This warranty does not apply to damages that are the result of improper installation, misuse or neglect. In addition, wear and fading from normal use is excluded from this coverage.

WARRANTY CLAIM PROCEDURE

1. Retain a copy of the original purchase receipt.
2. If the product is found defective within the warranty period, return the product along with the original purchase receipt to your qualified Carefree dealer.
3. All returns are for product replacement only. No returns for cash or credit are accepted.
4. Carefree does not cover any costs associated with delivery or return of the product.

