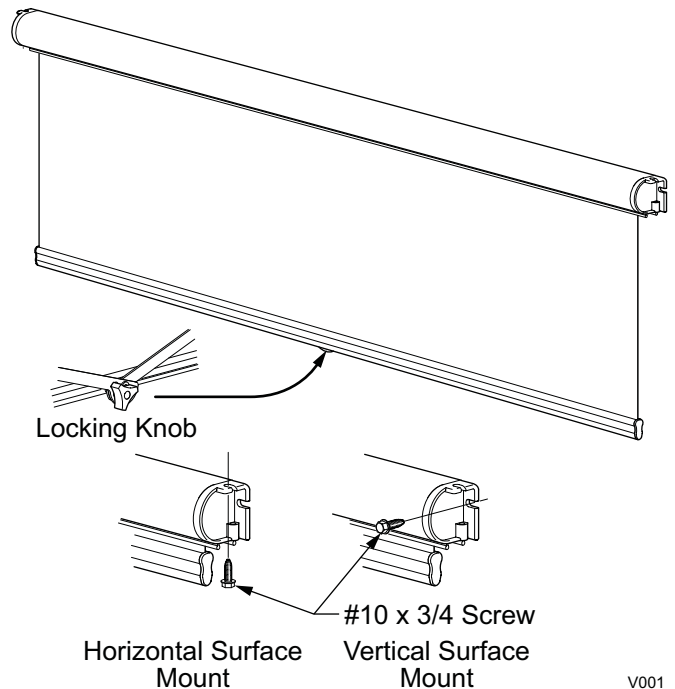


PULL DOWN VISOR WITH MANUAL LOCK



V001

INSTALLING THE VISOR

1. Determine the mounting location of the visor.
 - The visor may be mounted under a horizontal overhang or on a vertical wall.
 - The mounting surface must be flat.
 - The visor requires a mounting area of 2" x 2" x the length of the visor. Length of the visor is measured from the outside edges of the mounting braces.
2. Lift the visor and hold in position inside the coach.
3. Attach the visor using two (2) #10 x 3/4 screws (one for each end).

OPERATING THE VISOR

Lowering the Visor

- Loosen the locking knob on the back of the lead rail.
- Grasp the lead rail and pull down to the desired height.
- Tighten the locking knob on the back of the lead rail.

Raising the Visor

- While holding the lead rail, loosen the locking knob
- While holding the lead rail, guide the visor up to the closed or desired height.

⚠ CAUTION

THE VISOR IS UNDER SPRING TENSION WHEN EXTENDED. WHEN THE LOCKING KNOB IS LOOSENED, THE VISOR WILL RETRACT TO THE STORED POSITION. HOLD ON TO THE LEAD RAIL WHILE THE VISOR IS RETRACTING TO AVOID DAMAGE.

- Tighten the locking knob on the back of the lead rail.

CARE AND MAINTENANCE

1. Use a quality vinyl cleaner or warm water with a natural soap (never detergent) and gently clean the fabric. Do not scrub.

NOTE: Do not use bleach or abrasive cleansers.

2. Allow the fabric to dry thoroughly before retracting.
3. Periodically inspect and tighten any loose screws as necessary.

LIMITED WARRANTY

Carefree of Colorado (hereafter referred to as Carefree) warrants to the FIRST retail Purchaser that the Maxi Smart Visor is free of defects in material and workmanship for one (1) year from original date of purchase.

This warranty does not apply to damages that are the result of improper installation, misuse or neglect. In addition, wear and fading from normal use is excluded from this coverage.

Warranty Claim Procedure

1. Retain a copy of the original purchase receipt.
2. If the product is found defective within the warranty period, return the product along with the original purchase receipt to your qualified Carefree dealer.
3. All returns are for product replacement only. No returns for cash or credit are accepted.
4. Carefree does not cover any costs associated with delivery or return of the product.