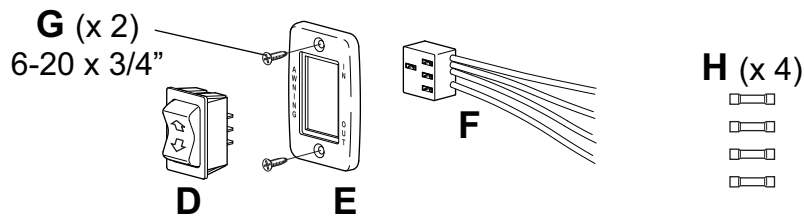
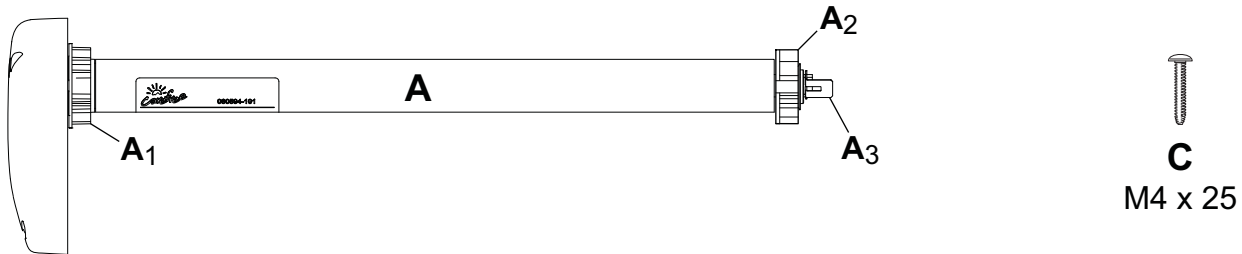


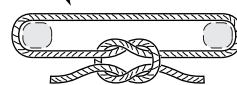
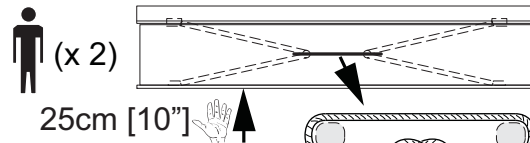
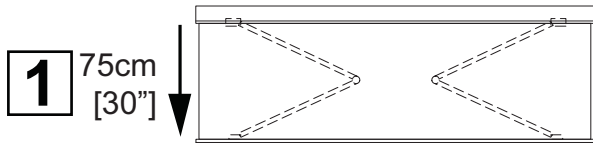
Kits

PACKAGE CONTENTS:



RM027

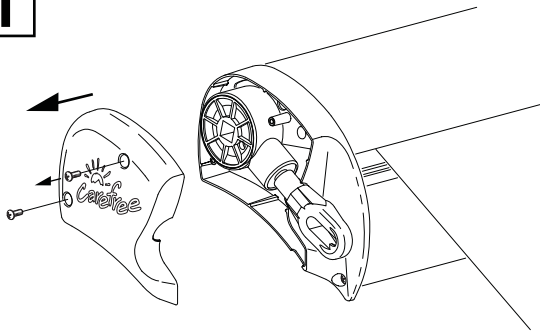
SECURE LEAD RAIL



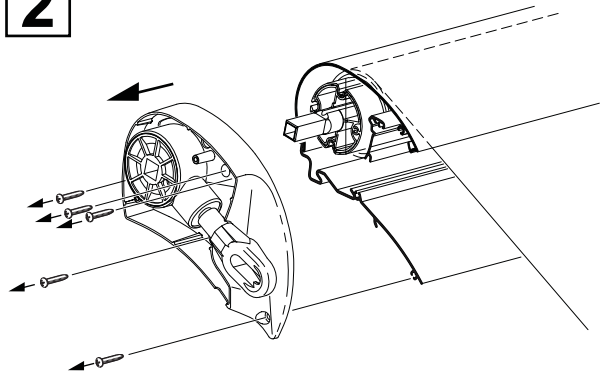
WM029

INSTALL MOTOR

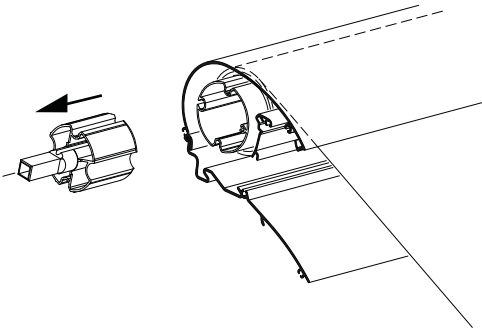
1



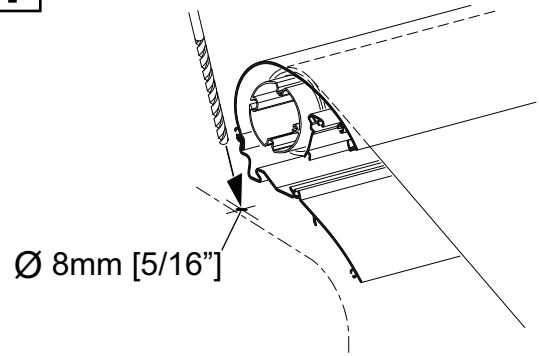
2



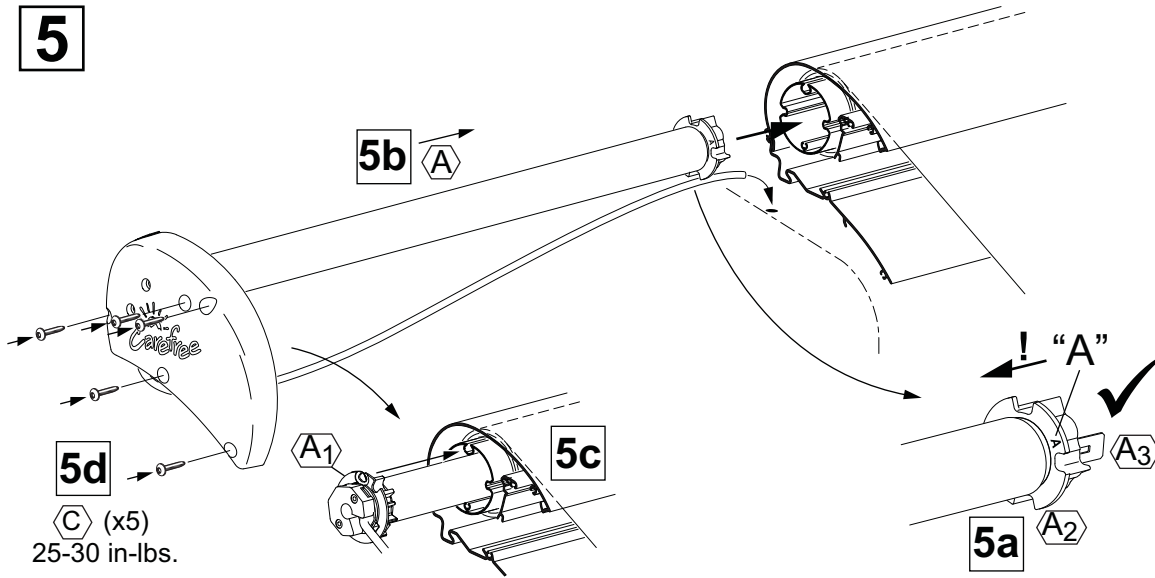
3



4



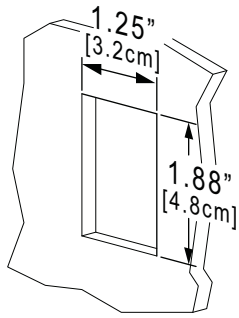
5



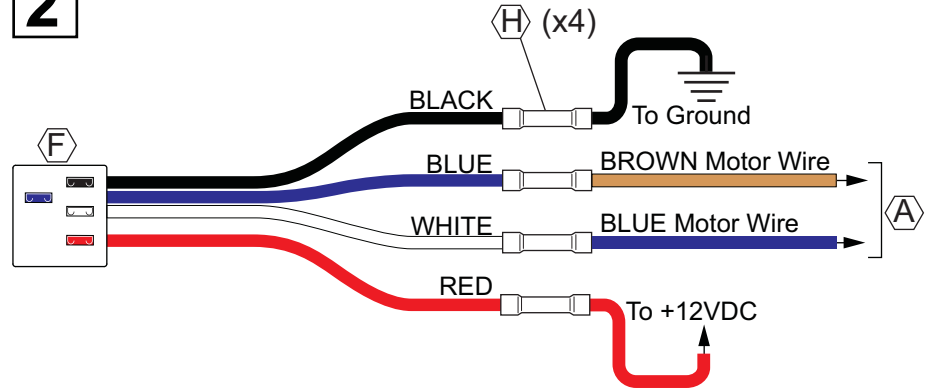
RM026

INSTALL SWITCH

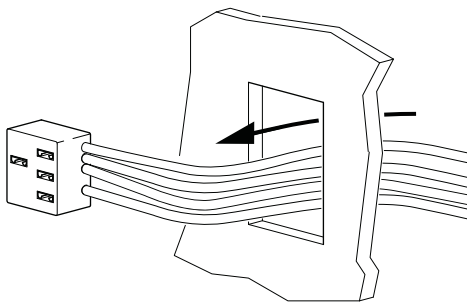
1



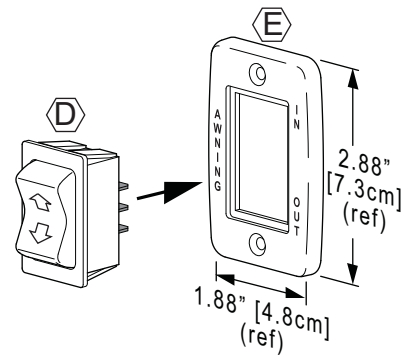
2



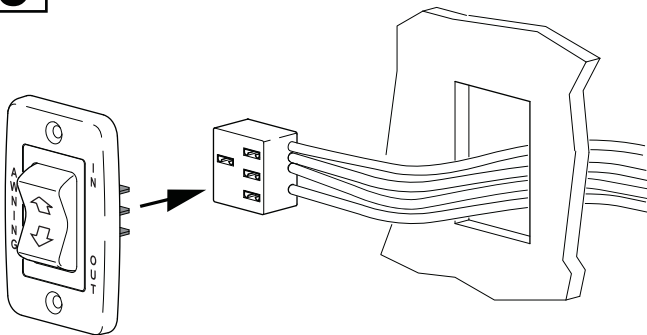
3



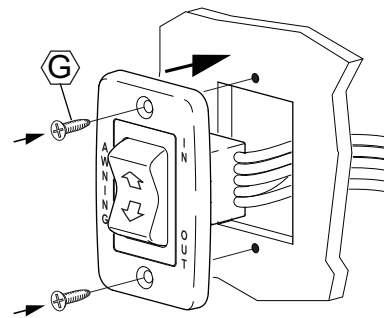
4



5

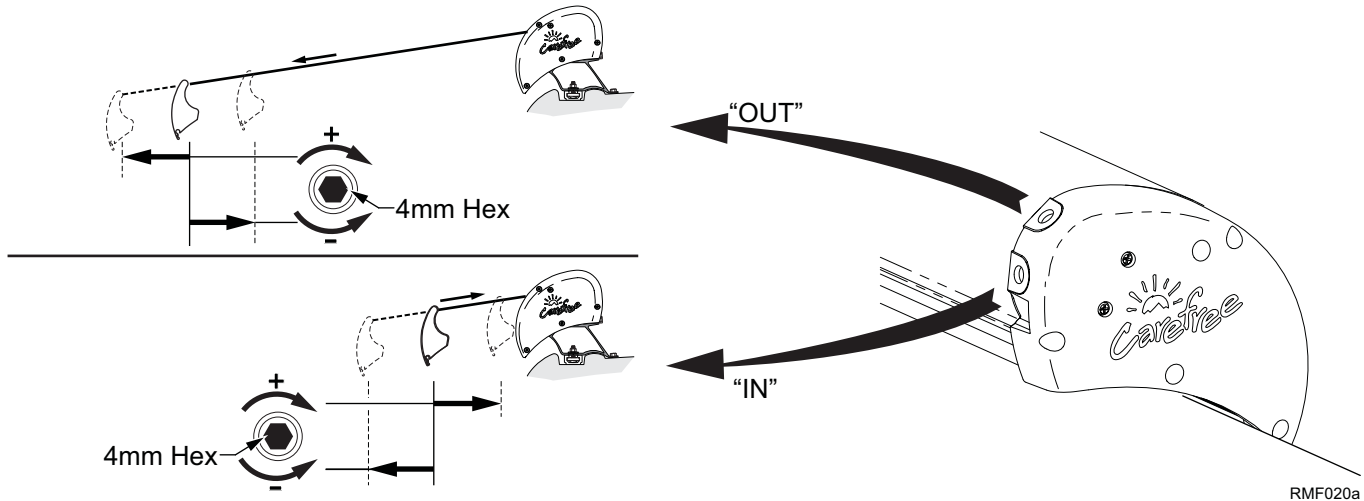


6



RM028

## ADJUSTING THE MOTOR LIMITS



RMF020a

**OUT LIMIT SWITCH**

The "OUT" limit switch stops the motor when the awning is fully extended

1. Extend the awning out completely.
2. Confirm that the arms are fully extended. The motor should stop and the fabric should be tight. If the motor continues to run, the fabric will sag; or, if the motor quits before the arms are fully extended, it will be necessary to adjust the "OUT" limit switch.
3. Using a 4mm Allen wrench turn the "OUT" limit switch. CLOCKWISE increases time the motor runs during extension, COUNTERCLOCKWISE reduces the time the motor runs.

**NOTE: It is best to make the adjustments in increments of a single turn. 3 full turns of the screw equals approximately 2" of fabric extension.**

4. Extend and retract the awning several times to confirm that the adjustment is correct.
5. Repeat steps 3 and 4 as required until the awning extends correctly.

**IN LIMIT SWITCH**

The "IN" limit switch stops the motor when the awning is fully retracted.

**CAUTION** THE IN-LIMIT SWITCH MUST BE SET TO SHUT OFF THE MOTOR WHEN THE AWNING IS CLOSED. THE MOTOR MUST NOT CONTINUE TO RUN AFTER THE AWNING IS CLOSED OTHERWISE DAMAGE TO THE MOTOR WILL OCCUR IF THE MOTOR CONTINUES TO RUN AFTER THE AWNING IS CLOSED.

1. Retract the awning in completely.
2. Confirm that the arms are fully retracted. The motor must stop when the awning is fully retracted. If the motor continues to run; or, if the motor quits before the arms are fully retracted, it will be necessary to adjust the "IN" limit switch.
3. Using a 4mm Allen wrench turn the "IN" limit switch. CLOCKWISE increase time the motor runs during retraction, COUNTERCLOCKWISE reduces the time the motor runs.

**NOTE: It is best to make the adjustments in increments of a single turn. 3 full turns of the screw equals approximately 2" of fabric extension.**

4. Extend and retract the awning several times to confirm that the adjustment is correct.
5. Repeat steps 3 and 4 as required until the awning retracts correctly.