

TABLE OF CONTENTS

Introduction	2
Single Switch Operation	3
Multiple Switch Operation	3
Systems with Optional Auto-Retract	4
Description of Controls	4
Operating the Controls	5
Testing the Direct Response System	6
Using the Key FOB Remote Control	6
Key FOB Batteries	6
Programming the Remote Receiver	7
Adjusting the Pitch.....	8
Rain Release Setting.....	8
The Auto-Dump Feature.....	8
Emergency Operation	9
Awning Care	10
Carefree Major Product Limited Warranty.....	11

Special Note: This manual provides a basic description of the product and the standard operating controls provided by Carefree of Colorado. Some Original Equipment Manufacturers (OEM's) may alter or change the placement, style and/or functional configuration of the switches. If your controls do not match the style or description included, contact the coach manufacturer for an accurate description. OEM furnished components are not covered by the Carefree warranty.

INTRODUCTION

From its beginning in the early 70's, Carefree of Colorado has emerged as the premier manufacturer of quality awnings and accessories for Recreational Vehicles (RVs). Our full line of products can provide the accessories that match your life style; no matter what type of RV you own.

The Eclipse Patio Awning uses unique "scissor" style arms that do not require vertical ground support. The arms provide easy to use pitch adjustment—simply push together the pins on the arms, snap into the hole set desired, and the pitch is set! The pitch can be left in any position and the Eclipse will roll up completely! When the awning is rolled back out, it rolls out to the pitch setting previously set.

Features include:

- The awning rollbar and arms are made from light weight, no-rust aluminum;
- 100% billow-proof, worm-gear drive motor eliminates the need for travel locks;
- Highest head clearance of any vertical arm awning;
- Automatic Self-Leveling Retraction from any pitch;
- Large selection of vinyl and Acrylic fabrics and fabric covers.

Consult your Carefree Dealer for available options and upgrades.

This manual describes the operation and care for your Eclipse Patio Awning. Descriptions include: Single Switch Operation; Multiple Switch Operation that includes a convenient outdoor patio switch; and, the optional auto-retract system that closes the awning automatically in windy conditions.


Operational Notes:

Awning Motor: The awning motor is equipped with a thermal protection circuit to protect the motor from overheating. Operating the awning repeatedly over a short time period may cause the circuit to sense a overheat condition and shut off the motor. If this occurs, wait approximately 15 minutes to allow the motor to cool then operate the awning in normal fashion.


Ignition Lockout Sensors (Available with Direct Response Only): If the optional Carefree EL ignition lockout is installed the system will disable the extend function while the vehicle ignition key is in the ON position. Special order RTL ignition lockouts will fully retract the awning and disable the extend function when the vehicle ignition key is in the ON position. Functions will return to normal operation when the ignition key is turned OFF.

RV manufacturers may install their own lockout design. Refer to the RV literature for 12V power used for accessories.

WARNINGS

 **AWNINGS ARE DESIGNED TO PROVIDE SHADE AND PROTECTION FROM THE SUN. THE EFFECTS OF WIND AND RAIN ON AN AWNING ARE UNPREDICTABLE AND CAN CAUSE SEVERE DAMAGE TO THE AWNING AND/OR THE VEHICLE. IF WIND OR EXTENDED PERIODS OF RAIN ARE EXPECTED, ROLL UP THE AWNING AND SECURE.**

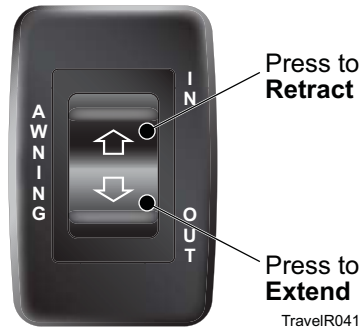
 **KEEP ALL SOURCES OF HEAT AND FLAME AWAY FROM THE AWNING CANOPY. FABRIC IS NOT FIRE-PROOF AND CAN BURN IF LEFT IN CONTACT WITH ANY FLAME OR HEAT SOURCE.**

 **CAUTION** It is recommended that if leaving the RV unattended for a length of time, retract the awning to avoid unexpected climate conditions.

SINGLE SWITCH OPERATION

For basic installations, a single interior control switch is provided for Extend and Retract motor control.

To Operate the Awning: Press and hold the Patio Switch until the awning is in the desired position then release the switch.



TravelR041

MULTIPLE SWITCH OPERATION

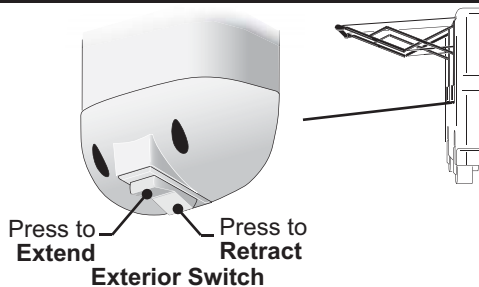
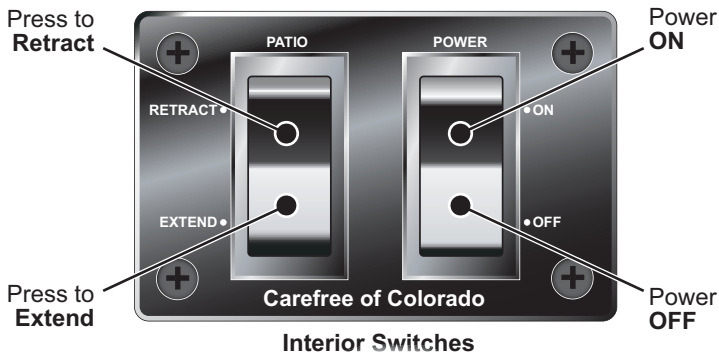
The multiple switch configuration provides 3 switches for Extend and Retract Motor control. Two interior switches, a Power ON/OFF and a Patio switch. A second outside Patio switch is mounted into the bottom cover of the right arm.

To Operate the Awning:

- Press the Power Switch to the ON position.
- Press and hold a Patio Switch until the awning is in the desired position then release the switch.

⚠ CAUTION

IT IS STRONGLY RECOMMENDED THAT THE POWER SWITCH BE SET TO OFF WHENEVER THE AWNING IS NOT BEING OPERATED AND DURING TRANSPORT. THIS ACTS AS A SAFETY TO PREVENT THE AWNING FROM BEING ACCIDENTLY OPENED.



E0045

SYSTEMS WITH OPTIONAL AUTO-RETRACT

The Optional Auto-Retract System is an exciting enhancement to basic awning operation. When activated, the system will retract the awning automatically in windy conditions. Sensitivity is set at the control panel. Two systems are available for the Eclipse Patio Awning:

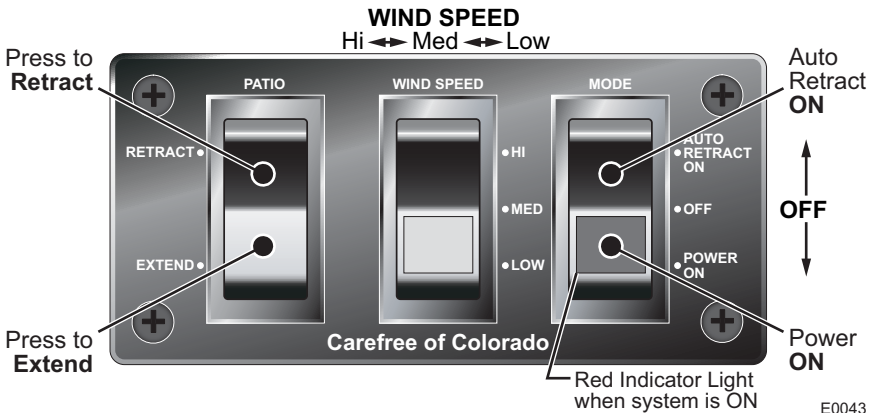
Direct Response – The system uses a sensor in the motor head to detect awning motion caused by windy conditions. The system operates by gauging the vertical motion of the awning's leading edge. When persistent motion exceeds the factory preset threshold value for 2 seconds or longer, the system will automatically retract the awning. The pushbutton controls allow the user to choose between 3 factory preset sensitivity values (threshold values).

Gust detection is incorporated into the Direct Response software. When the motion value is suddenly and sharply increased above a safe maximum value, then the 2 second persistence measure is overridden and the awning closes immediately.

⚠ CAUTION

THE CAREFREE DIRECT RESPONSE SYSTEM AND WINDSMART AUTO-RETRACT SYSTEM ARE PREMIERE ELECTRONIC AUTO-RETRACT SYSTEMS THAT PROVIDES PROTECTION AGAINST ADVERSE ELEMENTS; BUT, NO AUTO-RETRACT SYSTEM IS A GUARANTEE AGAINST SEVERE OR DESTRUCTIVE WEATHER; THE EFFECTS OF WIND AND RAIN ON AN AWNING ARE UNPREDICTABLE AND MAY CAUSE SEVERE DAMAGE TO THE AWNING AND/OR VEHICLE. IF WIND OR EXTENDED PERIODS OF RAIN ARE EXPECTED, RETRACT THE AWNING.

DESCRIPTION OF CONTROLS



MODE SWITCH

OFF.....The center position shuts the system down. The awning cannot be extended or retracted in this mode. The auto-retract system is also disabled.

CAUTION

IT IS STRONGLY RECOMMENDED THAT THE POWER SWITCH BE SET TO OFF WHENEVER THE AWNING IS NOT BEING OPERATED AND DURING TRANSPORT. THIS ACTS AS A SAFETY TO PREVENT THE AWNING FROM BEING ACCIDENTLY OPENED.

POWER ONThe bottom position activates the patio switch and provides power to the awning.

AUTO-RETRACT ON...The top position activates the patio switch and the Auto-Retract system and provides power to the awning.

When the switch is placed in the POWER ON or Auto-Retract ON position, the switch will illuminate to indicate the system is active.

PATIO SWITCH

This is a two position momentary contact switch. This description also applies to Eclipse models with an exterior switch or any additional patio switches that may be installed.

EXTENDPress and release the switch. The awning automatically opens. To stop the awning before it is open, press and release the extend switch a second time; or, switch the MODE switch to the OFF position.

RETRACTPress and release the switch. The awning automatically retracts until it is fully closed. To stop the awning before it is closed, press and release the retract switch a second time; or, switch the MODE switch to the OFF.

SENSITIVITY SWITCH

HI.....Hi is the least sensitive and responds to winds approximately equal to 12 mph.

MEDMedium responds to winds approximately equal to 9 mph.

LOW.....Low is the most sensitive and responds to winds approximately equal to 6 mph.

NOTE: If the sensitivity switch is not installed, the system defaults to the medium setting.

OPERATING THE CONTROLS

For Standard operation:

- Set the MODE switch to POWER ON or AUTO-RETRACT ON.
- Press and release the Patio Switch to extend or retract the awning.

To activate the Auto-Retract:

- Set the MODE switch to AUTO-RETRACT ON and set the WIND SPEED (sensitivity) switch to the desired level.

TESTING THE DIRECT RESPONSE SYSTEM

It is important to test the Direct Response system periodically to ensure that the system is working properly. Follow the simple test below.

1. Extend the awning completely.
2. Turn the mode switch to Auto-Retract ON. Set the sensitivity to the lowest setting.
3. Gently move the roller tube up and down in a vertical motion.
4. If the awning retracts, the system is working properly.
5. If the awning does not retract, contact an authorized Carefree dealer for repairs. Operate the awning with the Patio switch until the system is repaired.

USING THE KEY FOB REMOTE CONTROL

A remote control Key FOB is available only with the auto-retract system. The remote provides the advantage of allowing you to operate the awning from any convenient location.

The remote has a maximum operating range of 50 feet. Actual distance may vary depending on the specific installation and location of the receiver in the vehicle.

To use: turn system power ON at the control panel.

NOTE: Power ON/OFF and the Auto-Retract system and can only be operated at the control panel.



Extend... Press and release. The awning will extend out to the full extension and stop automatically.

Retract... Press and release. The awning will retract and stop automatically when the awning is fully retracted.

Stop..... Press and release. During extend and retract functions, the awning may be stopped by pressing this button.

KEY FOB BATTERIES

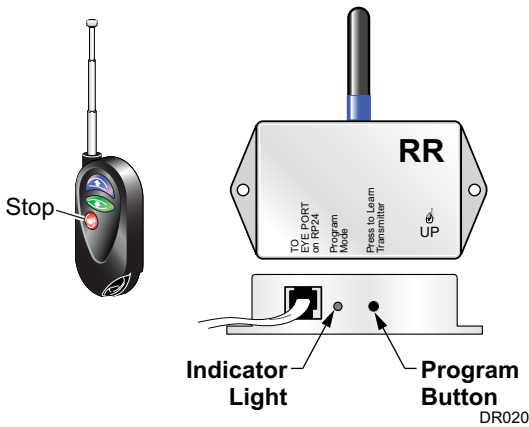
The Key FOB w/ antenna uses a battery (Radio Shack p/n 23-279 or equivalent) that should provide a long period of service. To access: Remove the small screw from the back of the case and carefully snap off the back. Lift the old battery out and insert the new battery.

Batteries are available through your local battery outlets.

Battery life is dependent on frequency of use, environmental conditions and condition of remote.

PROGRAMMING THE REMOTE RECEIVER

When adding or replacing a remote control, it is necessary to program the transmitter and receiver.



1. Power to the control box must be on.
2. Press and release the “Press to Learn Transmitter” button on the bottom of the receiver box. The receiver is in program mode when the red light comes on.
3. Press and release the STOP button on the remote. The red light will go out after the receiver learns the remote signal.

NOTE: Pressing the stop button will cause the blue up arrow button to default as the close (retract) function.

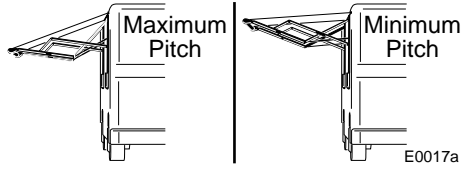
If a function button is pressed to train the receiver, it will be programmed as the retract button. Example: Pressing the top button will program the top button for retract and the bottom button as extend.

OPERATIONAL NOTES:

- Transmitter and receiver operate on frequency 433 MHz.
- The receiver exits the program mode after ten seconds.
- If the light does not come on, the memory is full and must be cleared.
- To clear the memory: PRESS AND HOLD the transmitter learn button. While holding the button, the indicator light should be OFF for the full 5 seconds then come on.
- If the light does not go out during programming, the receiver already knows the transmitter's signal or the battery in the remote needs to be replaced.
- The system may be programmed for up to 5 remotes. Additional remotes may be ordered separately.

ADJUSTING THE PITCH

The Eclipse arms have 6 pitch adjustment settings from minimum pitch to maximum pitch. The awning can be extended and retracted in any of these positions without having to reset the pitch between uses.



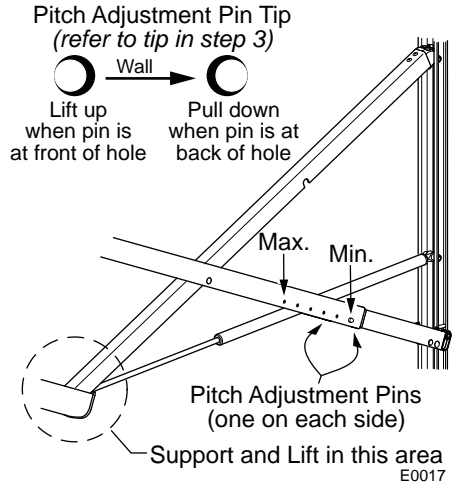
⚠ CAUTION

BE CAREFUL WHEN ADJUSTING THE PITCH AS THE AWNING MAY MOVE ABRUPTLY.

1. Extend the awning completely. It is easier to adjust the pitch when the awning is fully extended.
2. Hold on to the awning arm to keep it steady while adjusting the pitch.
3. Press the pitch adjustment pins, located on the long scissor arm. There are two pins: one in the outer channel (shown) and one in the inner channel.

Tip: Applying LIGHT pressure on the arm will decrease the force required to press the pitch adjustment pins.

4. Slide the outer scissor arm to the desired set of holes—towards the coach for a lower pitch and away from the coach for a higher pitch.

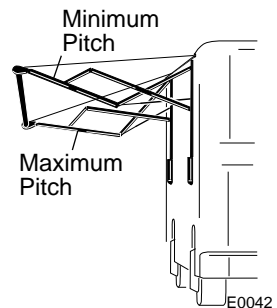


RAIN RELEASE SETTING

The effects of wind and rain on an awning are unpredictable and can cause severe damage to the awning and/or the vehicle. IF WIND OR EXTENDED PERIODS OF RAIN ARE EXPECTED, ROLL UP THE AWNING AND SECURE.

If the awning is extended during rain, position one arm at minimum pitch and the other arm at maximum pitch. This provides slope to allow the water to run off.

Note: The awning can be retracted with the arms set in the release setting. The pitch does not have to be equalized before closing.



THE AUTO-DUMP FEATURE

When set at the MINIMUM (flat) pitch, the Eclipse awning will automatically dump accumulated water. The feature works by having one arm automatically folding partially closed to create a valley in the canopy. The valley allows the water to run off one side to prevent pooling. When the rain has stopped and the water has drained, the arm will extend back to normal.

This feature is disabled when accessories such as rafters or Add-A-Rooms are installed.

EMERGENCY OPERATION

If the original power source fails or is unavailable, the Eclipse has emergency override terminals (12V). The terminals can be used with a 9V-18V power source, such as a cordless drill battery or car battery.

⚠️WARNING

DO NOT CONNECT THE ECLIPSE TERMINALS TO A 110V POWER SOURCE! DOING SO WILL PERMANENTLY DAMAGE THE AWNING!

To use the emergency terminals:

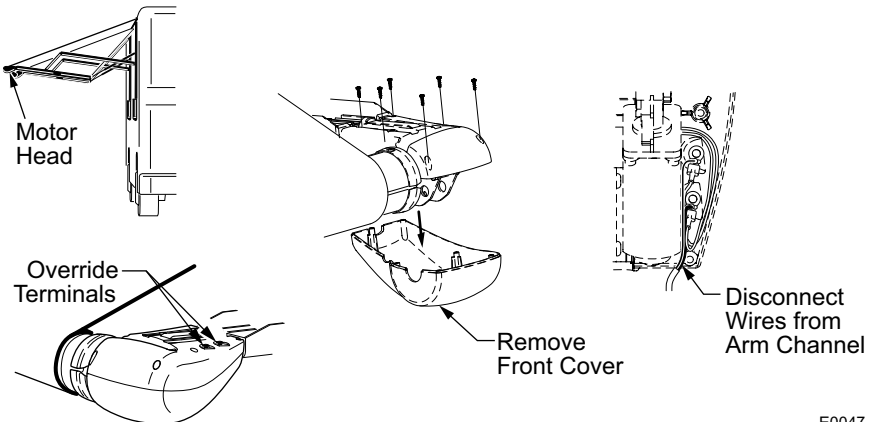
⚠️CAUTION

DO NOT USE THE EMERGENCY TERMINALS WITHOUT FOLLOWING THE DIRECTIONS BELOW. THE ELECTRONIC CIRCUIT CREATES A DYNAMIC BRAKE FOR THE MOTOR BY SHORTING AND GROUNDING THE MOTOR LEADS. STEPS 1 & 2 REMOVE THE BRAKE TO ALLOW THE EMERGENCY OVERRIDE TO WORK.

1. If there is an external plug, disconnect the plug, then go to step 3.
2. Awnings without an external plug:
 - 2.1 Remove the front cover from the motor head. There are six (6) small screws, do not remove the larger screw toward the center.
 - 2.2 Disconnect the input cable wires from the terminals. DO NOT disconnect the wires to the motor.
 - 2.3 Leave the wires disconnected and reattach the front cover.
3. Attach the provided jumper leads to the terminals, located on the rear of the motorized head.
4. Connect the other ends of the jumper leads to a 12V source. If the awning does not begin to move, reverse the leads.
5. Maintain contact throughout the retraction process.

⚠️CAUTION

BE CAREFUL WHEN RETRACTING THE AWNING AS THE AWNING MAY MOVE ABRUPTLY.



E0047

AWNING CARE

Maintaining a Carefree Awning is easy. Just follow these basic steps:

- Always operate the awning according to the instructions.
- Periodically check that the fasteners are tight. Tighten if necessary.
- Keep the awning fabric and arms clean.

FABRIC CARE

⚠ CAUTION DO NOT USE OIL BASED CLEANERS OR ANY CAUSTIC, GRANULATED, OR ABRASIVE TYPE CLEANERS ON YOUR CAREFREE PRODUCT.

1. One of the best ways to keep the fabric looking good and to delay the need for deep or vigorous cleanings is to hose fabrics off on a monthly basis with clear water. This practice will help prevent dirt from becoming deeply imbedded in the fabric. In most environments, a thorough cleaning will be needed every two to three years.
2. When it's time for a thorough cleaning, the fabric can be cleaned while still on the awning frame.
 - For Vinyl Fabric – Use a soft brush and warm water with soap.
 - For Acrylic Fabric – Use a stiff brush and warm water with soap.
3. When cleaning the fabric, it is important to observe the following:
 - Always use a natural soap, never detergent.
 - Water should be cold to lukewarm, never more than 100°F.
 - Air-dry only. Never apply heat to the fabric.
 - Always allow the fabric to dry thoroughly before rolling up the awning.

MILDEW

Mildew is a fungus growth that looks like dirt. Vinyl coated polyester fabrics are mildew resistant because of a chemical biocide in the vinyl coating. Under ordinary conditions, mildew will not appear. However, in areas where high temperature and humidity are common, mildew can be a problem and require the material to be washed more frequently. Thoroughly rinse the fabric with clean water and allow to air dry completely before rolling up the awning.

POOLING

When water collects on the top of the fabric, this is known as "pooling". This can occur during inclement weather or if a running air conditioner discharges over the awning. The water is dumped when the awning is retracted. It is recommended that if water accumulates on the top; retract the awning in steps (8"-12") to dump the water. This will help prevent the fabric from stretching or distorting.

LEAKING

On vinyl canopies, side hems and poly cords are stitched in with a sewing machine. On occasion, this stitching may allow water to seep or leak through the stitches. This is normal and not a defect covered by warranty. Treat the seams with a seam sealer.

ARM CARE

The best method of keeping the arms operating smoothly is to clean them. Dirt and debris can cause the channels not to slide easily. **Avoid introducing water into the motorized and non-motorized housings.**

Periodically wash out the channels with running water (i.e. a hose) to keep them clean. If the arms still do not slide easily, lightly spray the pivot and contact points with a dry silicone lubricant after the arms have been cleaned and dried thoroughly.

CAREFREE MAJOR PRODUCT LIMITED WARRANTY

Carefree of Colorado (hereafter referred to as Carefree) warrants to the first retail Purchaser that the Carefree Product is free of defects in material and workmanship within the terms and conditions as set forth in the warranty statement available online at www.carefreeofcolorado.com. Carefree's obligation under this warranty is limited to the repair or replacement, at Carefree's option, of any defective component with new or factory refurbished components.

OWNER MUST RETAIN THE ORIGINAL PROOF OF PURCHASE AND/OR HAVE THE PRODUCT WARRANTY REGISTRATION ON FILE AT CAREFREE FOR WARRANTY CLAIMS.

THIS WARRANTY IS NOT TRANSFERABLE.

For

- **Warranty Duration;**
- **Warranty Coverage and Exclusions;**
- **Warranty Terms of Coverage; and,**
- **Warranty Claim Procedures**

Refer to publication

052580-111 "Carefree Major Product Limited Warranty"
available online at www.carefreeofcolorado.com

Register your Carefree products online at www.carefreeofcolorado.com

Publications available on-line @ www.carefreeofcolorado.com:

052547-001 Eclipse Arms and Canopy After Market Installation Manual

052547-021 Eclipse Arms and Canopy OEM Installation Manual

052547-221 Eclipse Owner's Manual

052547-301 Eclipse Service Manual

052526-001 Direct Response Installation Manual

IMPORTANT NOTICE: It is strongly recommended that adjustments and repairs not described in this book be performed by trained technicians at your Authorized Carefree Dealer. Work performed by non-authorized persons or businesses may void warranty.

