



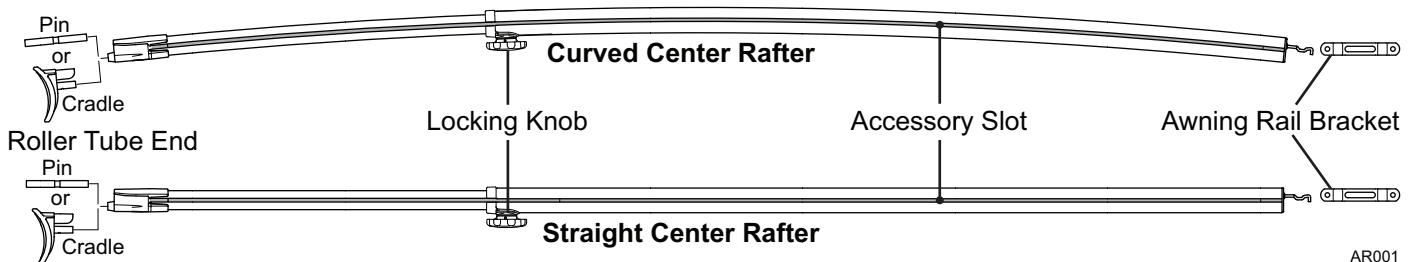
CENTER SUPPORT RAFTER

RV Accessories

KIT NUMBERS: 902820XXX
902821XXX

STRAIGHT CENTER RAFTER
CURVED CENTER RAFTER

Carefree offers two center support rafters that fit beneath the canopy. These rafters are easily installed and removed. The accessory slot can accept fabric with a 3/16" - 1/4" polyrod.



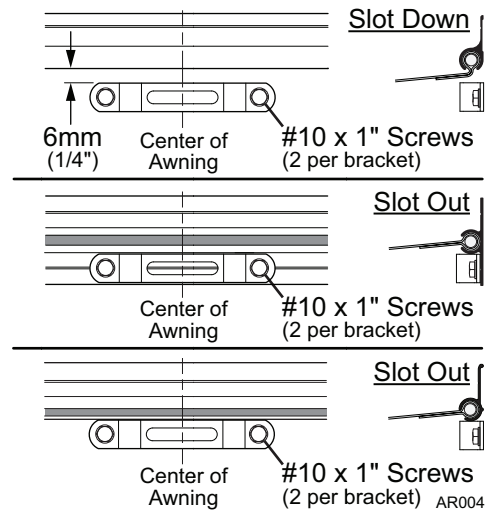
AR001

TOOLS REQUIRED: ● Marker ● Tape Measure ● Center Punch ● Drill Motor ● 3/8" Drill Bit ● 5/16" Hex Driver ● Urethane Based Sealant ● Rags ● Ladder

The instructions below apply to both configurations.

INSTALL THE WALL BRACKET

1. Determine the style of awning rail mounted on the vehicle.
2. On the awning rail, measure and mark the center of the awning.
3. For awning rails with the slot pointing straight down, measure and mark 6mm (1/4") from bottom of awning rail. This is the location of the top of the wall bracket.
4. Coat the back of the brackets and screw holes with a quality sealant.
5. Position the bracket beneath the awning rail as shown.
6. Secure the bracket using two (2) #10 x 1" hex washer head screws.



SELECT THE ROLLER TUBE CONNECTION

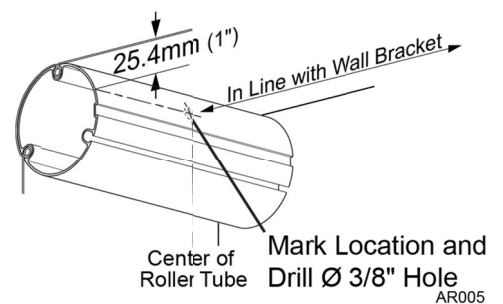
Two methods of connecting to the roller tube are available with the rafter.

Method 1 - Pin:

The rafter can be attached using the pin with a hole drilled into the roller tube.

1. Open the awning completely per the awning instructions.
2. Mark the center of the roller tube.
3. Measure down perpendicular from the canopy surface 25.4mm (1").
4. Drill a 3/8" hole in the roller tube at the marks made.

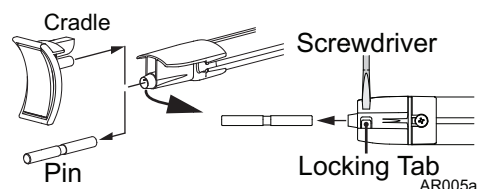
Tip: Over extend the awning so that the marks are easily reached with the drill. Use a punch to mark the center of the hole. This aids in locating the drill tip.



Method 2 - Cradle:

No drilling is required with this method. The cradle fits around the roller tube and firmly holds the rafter in place.

1. On the bottom of the rafter end, lift the locking tab up and pull the pin out.
2. Hold the tab up and slide the cradle completely into the end of the rafter. The cradle can only fit one way.



INSTALLING THE RAFTER

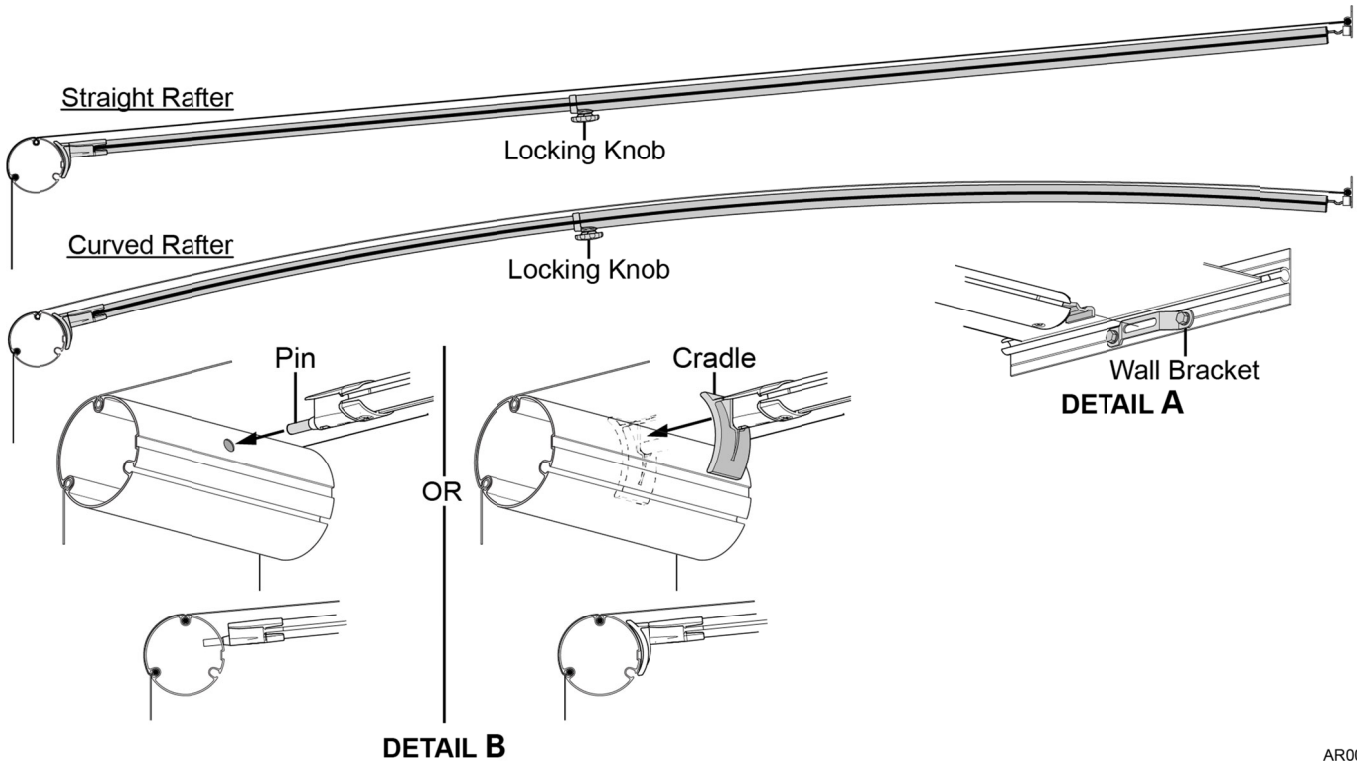
CAUTION **AUTO-RETRACT SYSTEMS:** For awnings with an auto-retract system, the auto-retract feature **MUST BE SHUT OFF**. If the awning auto-retracts, personal injury as well as damage to the awning and vehicle can occur. Refer to the awning's owner manual for instructions.

NOTICE Awnings are designed to provide shade and protection from the sun. The effects of wind and rain on an awning are unpredictable and can cause severe damage to the awning and/or the vehicle. If wind or extended periods of rain are expected, remove the rafter and retract the awning.

NOTICE Always remove the rafters before closing the awning. Damage can occur to the awning and rafter.

The rafter may be used at any awning pitch.

NOTE: For pin installations when the pitch is changed, it may be necessary to adjust the roller tube position for the hole and rafter pin to line up.



AR006

1. Open the awning completely per the awning instructions. If installed, turn off the auto-retract system.
2. (Detail A) Hook the rafter onto the wall bracket.
3. Loosen the locking knob.
4. (Detail B) Press the rafter cradle tightly against the roller tube. Tighten the locking knob.
Or
Insert the pin into the hole and press the rafter tightly against the roller tube. Tighten the locking knob.

NOTE: The curved rafter will press up against the canopy creating an arch in the center of the fabric.