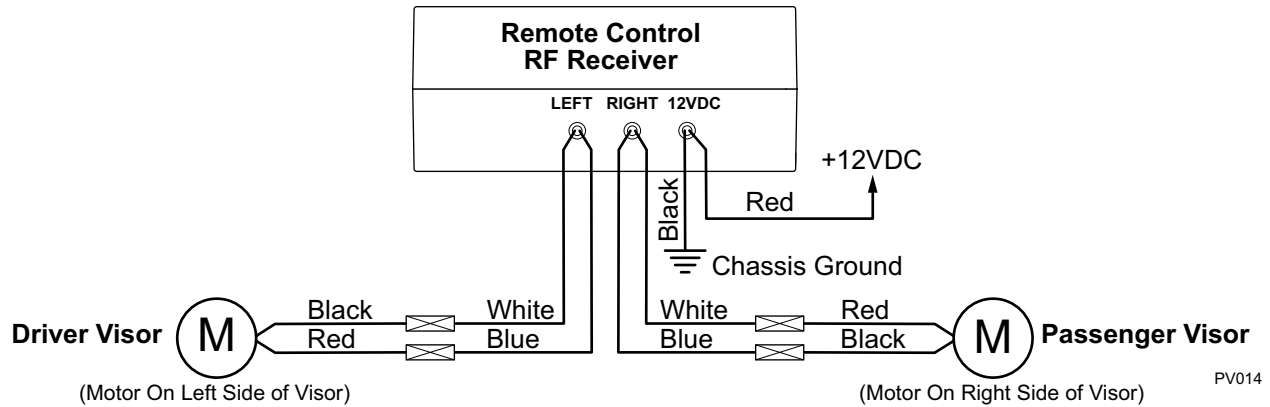


# REMOTE ACCESS FOR POWERVISORS

The PowerVisor remote control can independently operate up to two visors. These instructions replace the motor and switch wiring instructions in the installation instructions furnished with the visor.

## INSTALLING THE RECEIVER



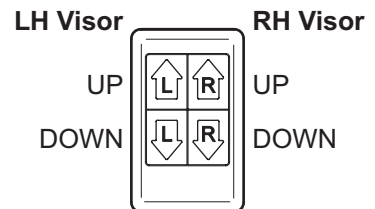
### ⚠ CAUTION

- DO NOT CONNECT THE RECEIVER TO ANY POWER SOURCE OTHER THAN +12VDC.
  - DO NOT ATTACH MORE THAN 2 VISOR MOTORS TO THE RECEIVER BOX. DAMAGE TO THE RECEIVER MAY OCCUR.
  - DO NOT MOUNT THE RECEIVER NEAR OR ON METAL SURFACES OR NEAR HEAT SOURCES.
  - THE REMOTE RECIEVER REPLACES ALL HARD WIRED SWITCHES. THE RECIEVER CANNOT BE WIRED IN COMBINATION WITH ANY SWITCHES.
1. Connect the wires as shown in the wiring diagram using the supplied butt connectors. The unit has 24" wires, if the unit is positioned farther from the visor wires, the installer must splice an extension between the motor and the receiver.

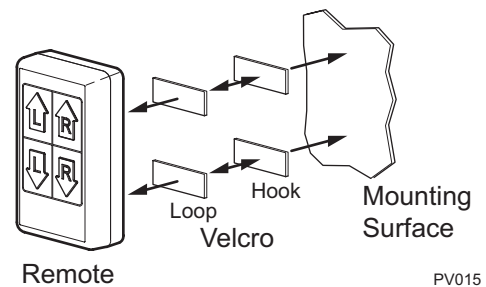
**NOTE:** For best performance, the receiver should be positioned within 10 feet of the approximate location that the transmitter will be kept (i.e. on the driver's side dash). The effective range of the transmitter is 20 feet.

2. Clean the mounting surface.
3. Remove the two pieces of release paper from the double sided tape and firmly press the receiver onto the mounting surface.
4. Test the remote:

- Press the Left Down arrow then the Left Up arrow. The driver's side visor should lower then rise.
- Repeat for the passenger visor (if installed) using the Right Down and Up arrows.
- If the visor moves in the opposite direction than the arrow, reverse the motor leads of the visor.



5. Mount the remote:
  - Clean the mounting surface for the remote.
  - The loop half of the velcro is attached to the remote. Do not separate the hook and loop at this time.
  - Remove the release paper from the hook halves of the Velcro and firmly press the remote into the desired mounting position.
  - Lift the remote. The Velcro halves should separate with the hook halves remaining on the mounting surface and the loop halves remaining on the remote.



## WARRANTY

This product is covered by the Carefree Limited Warranty provided with the PowerVisor installation instructions.