



RV

## INSTALLATION & OPERATION SIMPLY SHADE WINDOW AWNING

### MANUAL PULL DOWN WINDOW AWNING



Before installing and operating the awning, carefully review the Owner's Manual. The manual contains important safety information, detailed operating instructions, common maintenance procedures and other useful information.



**Important Note:** Do not miss out on a discounted upgrade. You have 90 days from date of purchase to upgrade the fabric with reduced priced custom ordered fabric and you can add fabric protection with Carefree's unique FLXguard or Uniguard metal wrap.\*

1. Scan the QR Code



2. Click on the "Upgrade Fabric" button to review and order your fabric upgrade options.
3. The serial number for your awning is located on the last page of this manual and on the roller tube of your awning.

[www.carefreeofcolorado.com/simple-shade-window-awning](http://www.carefreeofcolorado.com/simple-shade-window-awning)

\*Note: The discounted upgrade is limited to one (1) per awning. Upgrades and canopy replacements after the 90 days can be ordered at full price.

## INTRODUCTION

Thank you for your recent purchase of the Simply Shade window awning. We appreciate having the opportunity to do business with you. Our customers are our top priority, and we strive for 100% satisfaction. If you have any questions or concerns about this order, please do not hesitate to contact us.

Check with your dealer to discover the products that can make your life more Carefree.

---

The Simply Shade window awning is a manual extend/retract awning stylized to match Carefree's line of patio awnings. Built with Carefree's attention to quality, value and style, this awning is the perfect compliment for any window application and awning style.

- Simple installation.
  - The fabric is attaches to the RV using a standard awning rail.
  - Each arm is attached at the bottom with three screws through the bottom support and pivot bracket.
- Simple manual operation.
- Powerful spring tension keeps the fabric taut when extended and keeps the awning closed when retracted.

### *TABLE OF CONTENTS*

<b>Introduction .....</b>	<b>2</b>
Product Overview .....	4
Tools:.....	4
Component Checklist .....	5
<b>Installation .....</b>	<b>6</b>
Installing the Awning Rail .....	6
Attach the Arms.....	6
Installing the Awning .....	7
<b>Operation .....</b>	<b>9</b>
<b>Awning Care .....</b>	<b>10</b>
Fabric Care.....	10
Arm Care.....	10
Hardware Maintenance .....	10
<b>Carefree Product Limited Warranty .....</b>	<b>11</b>

## SAFETY INFORMATION



This is the safety alert symbol. It is used to alert individuals to potential personal injury hazards. Obey all safety messages that follow this symbol to avoid possible personal injury or death.



Indicates a hazardous situation, which if not avoided, could result in death or serious bodily injury.



Indicates a hazardous situation, which if not avoided, may result in minor or moderate bodily injury.



Indicates a situation that may result in equipment-related damage.

## General Safety:



**Shock Hazard.** Locate and avoid any wiring in the areas to be drilled. Always disconnect the power source before working around the electrical system.



Always wear appropriate safety equipment (i.e. gloves, goggles, ear protection).



Always use appropriate lifting devices and/or helpers when lifting or holding heavy objects.



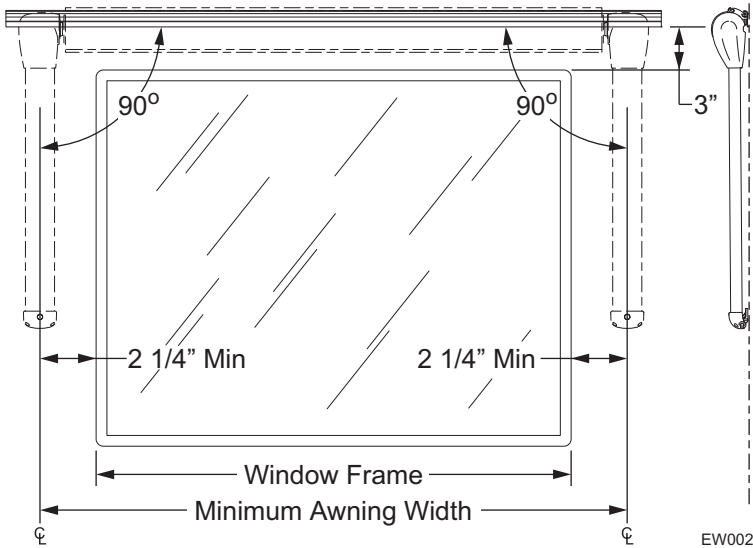
When using fasteners, do not over tighten. Soft materials such as fiberglass and aluminum can be "stripped out" and lose the ability to grip and hold.

## CALIFORNIA PROPOSITION 65



This product contains chemicals known to the state of California to cause cancer or birth defects or other reproductive harm. California's Proposition 65 requires this warning to be given to customers in the state of California.

**PRODUCT OVERVIEW**



**Simply Shade Window Awning Sizing Chart**

Window Frame Outside Width		SL Window Awning Center to Center
Greater than	Less than, or equal to	
20"	30"	36"
30"	36"	42"
36"	42"	48"
42"	48"	54"
48"	54"	60"
54"	60"	66"
60"	66"	72"

SL Window Awnings not listed, or other Carefree of Colorado products may be ordered at [www.carefreeofcolorado.com](http://www.carefreeofcolorado.com)

**TOOLS:**

Tools are not included in the kit. The items listed below are available at local hardware stores. Installer must furnish the following items:

Required

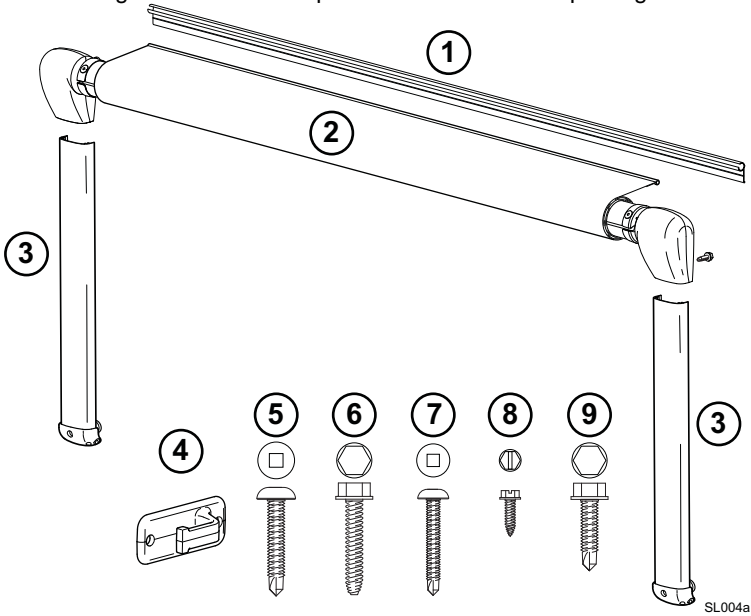
- Tape Measure
- Drill Motor/Driver
- #2 Phillips Driver Bit
- #2 Square Driver Bit
- 1/4" Socket Driver Bit
- 1/4" Socket
- 5/16" Socket
- Pencil or marker
- Urethane based sealant or hybrid sealant or putty tape.

Suggested

- Ladder
- Carpenter's Square
- Alcohol Cleaner
- Cleaning Rag
- Dry silicone lubricant (spray)

**COMPONENT CHECKLIST**

Use the following to check the components included in the package.



SL004a

<input checked="" type="checkbox"/>	ITEM	DESCRIPTION	QTY	
<input type="checkbox"/>	1	Awning Rail	1	
<input type="checkbox"/>	2	Roller Tube Assembly (includes fabric)	1	
<input type="checkbox"/>	3	Arm Assembly	2	
<input type="checkbox"/>	4	Pull Strap Catch	1	
<input type="checkbox"/>	5	Screw, Truss Head Sq Dr	Awning Rail Attach #10 x 1	17
<input type="checkbox"/>	6	Screw, Hex Washer Head, SS	Head Attach #10 x 3/4	2
<input type="checkbox"/>	7	Screw, Truss Head Sq Dr	Base Attach #8 x 1	6
<input type="checkbox"/>	8	Screw, Hex Washer Head	Fabric Attach #6 x 3/8	2
<input type="checkbox"/>	9	Screw, Hex Washer Head	Catch Attach #10 x 3/4	2

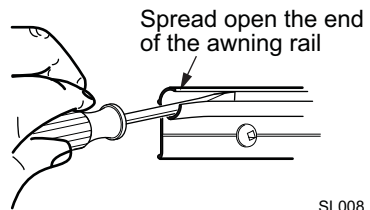
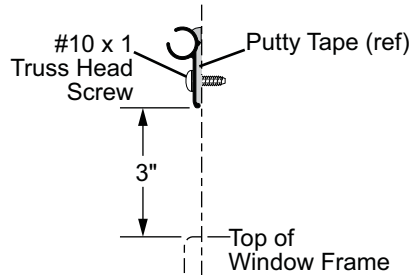
**NOTE:** 1. Awning configuration is specified at time of order, including awning length, fabric, color etc. Check awning assembly against original purchase order.

## INSTALLATION

### INSTALLING THE AWNING RAIL

Page 4 shows the general installation layout for the awning.

1. Park the vehicle on a flat surface and level the unit.
2. Thoroughly clean the vehicle walls where the arms and awning rail are to be attached. Remove any old caulking or sealant.
3. Determine the optimum positioning of the awning so that the arms will not interfere with the window frame or light fixtures.
4. The bottom of the awning rail must be a minimum of 3 inches above the window frame.
5. The awning rail must be level.
6. After determining mounting position, mark the position with a chalk line.



SL008

7. Seal the back of the rail with a suitable urethane based sealant or hybrid sealant or putty tape.
8. Align the awning rail onto the wall and secure with the supplied truss head #10 x 1" screws. The awning rail must be installed with the slot pointing up.

### NOTICE

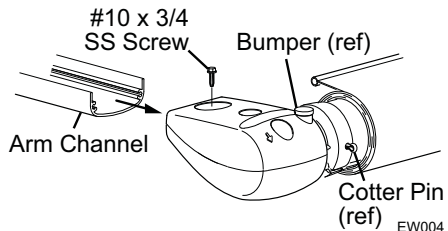
**Make sure the screws are securely mounted to the structural frame of the vehicle.**

9. Use a screwdriver to spread open one end of the awning rail track on the installation side.
10. File any sharp edges or burrs from the end of the rail. This will help protect the awning fabric from damage during installation.

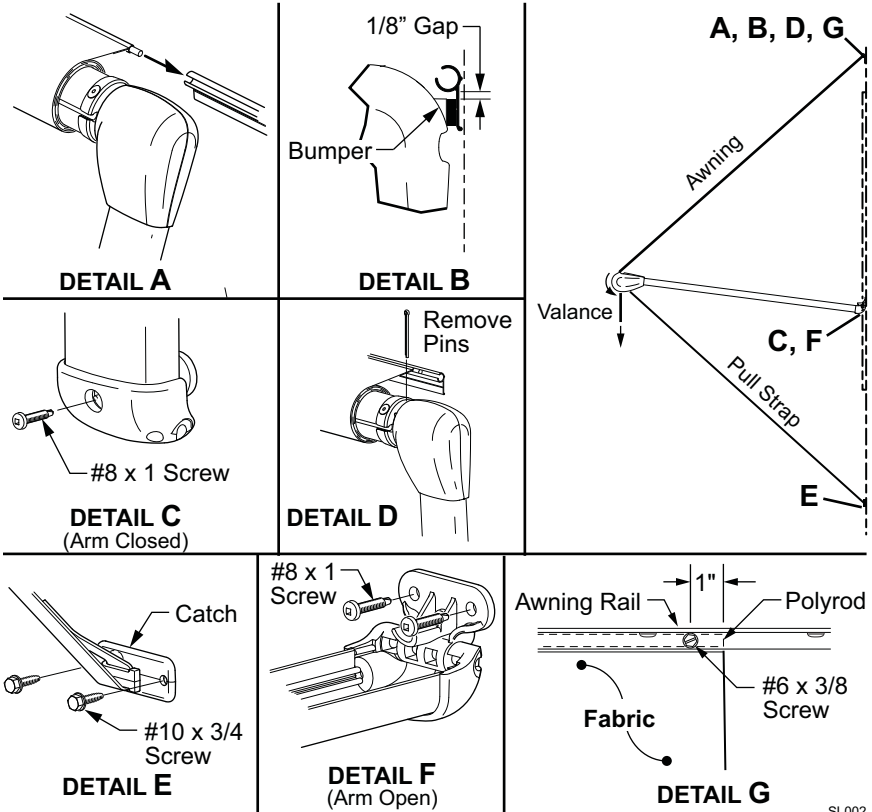
*Tip: Spray inside the awning rail track with a dry silicone lubricant. This will aid in sliding the fabric into the rail.*

### ATTACH THE ARMS

1. Slide the arm into the end cap.
2. Secure using one #10 x 3/4 stainless steel screw through the back of the end cap.
3. Repeat for the other arm.



## INSTALLING THE AWNING



SL002

1. (Detail A) Lift the awning up and thread the polyrod (the plastic rod on the edge of the fabric) into the awning rail. Carefully move across the vehicle, gently pulling the fabric into the rail until the awning is centered over the window.

**NOTE:** While the awning fabric is robust, exercise care not to snag it on the awning rail.

*Tip:* For longer window awnings, it may be beneficial to have a second person help hold one end of the awning while sliding the fabric into the awning rail.

2. (Detail B) Position the arms. The bumper pad on the back of the end caps must align and contact the flat portion of the awning rail and should be approximately 1/8" below the rail protrusion.

**NOTE:** The awning rail is cut to the same length as the awning width. The centerline of the arms should line up with the ends of the awning rail.

**NOTE:** If an awning rail screw interferes with the bumper, it will be necessary to remove the screw. The bumper must set flat on the flat portion of the awning rail.

3. (Detail C) Ensure that the arm is perpendicular to the awning rail. Secure the lower mounting bracket using one #8 x 1 truss head screw through the access hole in the end cap of the arm.

## Carefree of Colorado

---

**NOTE:** Before attaching the arm brackets, coat the back of the brackets with a urethane based sealant or hybrid sealant.

4. Repeat step 4 for the second arm. Make sure that the rollbar is parallel with the awning rail and that the arm is perpendicular to the awning rail.
5. Remove the spring locking pins from each end of the roll bar.

**NOTICE** Failure to remove the spring locking pins before attempting to open the awning can cause damage to the awning and/or coach.

6. Carefully open the awning by pulling down on the pull strap.
7. Center the pull strap on the rollbar.
8. *(Detail E)* Insert the pull strap catch into the loop of the pull strap.
9. Hold the awning arms with the valance pointing down from the bottom of the roller tube. While holding the pull strap taut and position the catch against the vehicle wall; then attach the catch using two (2) #10 x 3/4 screws.

**NOTE:** Before attaching the catch, coat the back of the catch with a silicone sealant.

10. *(Detail F)* With the awning open, finish attaching the lower arm brackets. Secure using two (2) #10 x 1 truss head screws for each arm.
11. Open and close the awning to make sure the awning canopy is centered in the awning rail. Adjust the canopy position in the rail as required.
12. *(Detail G)* To secure the canopy, place a #6 x 3/8 screw through the top of the awning rail, polyrod and canopy approximately 1 inch from the end of the fabric.



## OPERATION

**NOTICE** Awnings are designed to provide shade and protection from the sun. The effects of wind and rain on an awning are unpredictable and can cause severe damage to the awning and/or the vehicle. If wind or extended periods of rain are expected, roll up the awning.

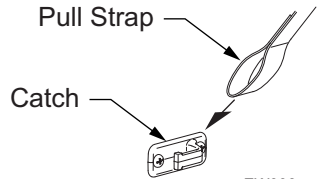
**NOTICE** It is recommended that if leaving the RV unattended for a length of time, retract the awning to avoid unexpected climate conditions.



**WARNING** Risk of fire. Keep all sources of heat and flame away from the awning canopy. Fabric is NOT fireproof.

To Lower the Awning: Grasp the pull strap and pull the awning down. Hook the loop of the pull strap onto the catch.

*Tip: During windy conditions, the strap may vibrate and "hum". To reduce this effect, twist the strap 1 turn before hooking onto the catch.*



To Raise the Awning: Remove the pull strap from the catch and untwist if necessary. Allow the awning to roll up while holding onto the strap.

*Tip: When rolling up the awning, hold the end of the pull strap off center. This keeps the strap from rolling up on itself causing stretch marks in the fabric. This also reduces the amount of strap that hangs below the roller in the travel position.*

**NOTICE** Do not release the strap until the awning is against the coach wall. Releasing the strap early will cause the awning to slam against the wall possibly causing damage to the awning and/or vehicle.

## AWNING CARE

Maintaining a Carefree Awning is easy. Just follow these basic steps:

- Always operate the awning according to the instructions.
- Periodically check that the fasteners are tight. Tighten if necessary.
- Keep the awning fabric and arms clean.

### FABRIC CARE

**NOTICE** Do not use oil based cleaners or any caustic, granulated, or abrasive type cleaners on your Carefree product.

1. One of the best ways to keep the fabric looking good and to delay the need for deep or vigorous cleanings is to hose fabrics off on a monthly basis with clear water. This practice will help prevent dirt from becoming deeply imbedded in the fabric. In most environments, a thorough cleaning will be needed every two to three years.
2. When it's time for a thorough cleaning, the fabric can be cleaned while still on the awning frame. For vinyl fabric, use a soft brush and warm water with soap.
3. When cleaning the fabric, it is important to observe the following:
  - Always use a natural soap, never detergent.
  - Water should be cold to lukewarm, never more than 100°F.
  - Air-dry only. Never apply heat to the fabric.
  - Always allow the fabric to dry thoroughly before rolling up the awning.

### Mildew

Mildew is a fungus growth that looks like dirt. Vinyl coated polyester fabrics are mildew resistant because of a chemical biocide in the vinyl coating. Under ordinary conditions, mildew will not appear. However, in areas where high temperature and humidity are common, mildew can be a problem and require the material to be washed more frequently. Thoroughly rinse the fabric with clean water and allow to air dry completely before rolling up the awning.

### Leaking

On vinyl canopies, side hems and poly cords are stitched in with a sewing machine. On occasion, this stitching may allow water to seep or leak through the stitches. This is normal and not a defect covered by warranty. Treat the seams with a quality seam sealer.

### ARM CARE

The best method of keeping the arms operating smoothly is to clean them. Dirt and debris can cause the arms not to move easily. Periodically wash out the channels with running water (i.e. a hose) to keep them clean. If the arms still do not move easily, lightly spray the joints with a dry silicone lubricant after the arms have been cleaned and dried thoroughly.

### HARDWARE MAINTENANCE

- Replace any parts that become damaged.
- Periodically check all mounting hardware, screws, lags, etc., and re-tighten when necessary.

## CAREFREE PRODUCT LIMITED WARRANTY

Carefree of Colorado (hereafter referred to as Carefree) warrants to the first retail Purchaser that the Carefree Product is free of defects in material and workmanship within the terms and conditions as set forth in the warranty statement available online at [www.carefreeofcolorado.com](http://www.carefreeofcolorado.com). Carefree's obligation under this warranty is limited to the repair or replacement, at Carefree's option, of any defective component with new or factory refurbished components.

OWNER MUST RETAIN THE ORIGINAL PROOF OF PURCHASE AND/OR HAVE THE PRODUCT WARRANTY REGISTRATION ON FILE AT CAREFREE FOR WARRANTY CLAIMS.

THIS WARRANTY IS NOT TRANSFERABLE.

**Visit [www.carefreeofcolorado.com](http://www.carefreeofcolorado.com) for**

- **Warranty Duration;**
- **Warranty Coverage and Exclusions;**
- **Warranty Terms of Coverage; and,**
- **Warranty Claim Procedures**

***Register your Carefree products on-line at [www.carefreeofcolorado.com](http://www.carefreeofcolorado.com)***

---

Place serial tag here



The DIY (Do-It-Yourself) Simply Shade Window Awning is a product of Carefree of Colorado, located in Broomfield, Colorado, USA. The information contained in or disclosed in this document is considered proprietary to Carefree of Colorado. Every effort has been made to ensure that the information presented in the document is accurate and complete. However, Carefree of Colorado assumes no liability for errors or for any damages that result from the use of this document.

The information contained in this manual pertains to the current configuration of the models listed on the title page. Earlier model configurations may differ from the information given. Carefree of Colorado reserves the right to cancel, change, alter or add any parts and assemblies, described in this manual, without prior notice.

Carefree of Colorado agrees to allow the reproduction of this document for use with Carefree of Colorado products only. Any other reproduction or translation of this document in whole or part is strictly prohibited without prior written approval from Carefree of Colorado.

**Carefree of Colorado** 2145 W. 6<sup>th</sup> Avenue Broomfield, CO 80020 a **Scott Fetzer** company