

# FREESTYLE RM ADAPTOR BRACKETS

**KIT No: BS0015**

**Kits**

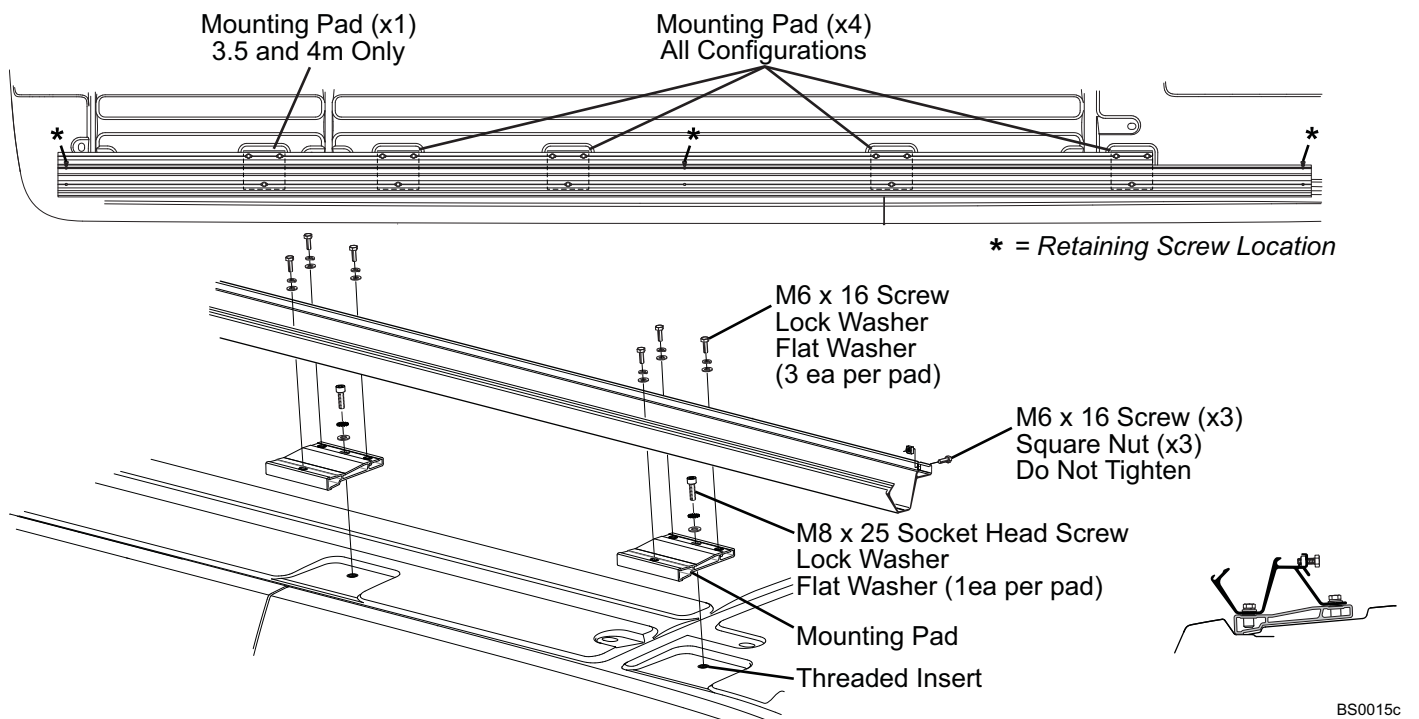
## FORD TRANSIT FULL LENGTH BRACKET KIT

The BS0015 mounting bracket is used for the Ford Transit. The bracket is available in three convenient lengths: -118 for 3m awnings, -138 for 3.5m awnings and -157 for 4m awnings.

**PACKAGE CONTENTS:**

<p>Full Length Mounting Bracket</p>	<p>Mounting Pad</p>	<p>M8 x 25 Socket Head Screw</p>	<p>M8 Lock Washer</p>	<p>M8 Flat Washer</p>
	-118 → (x4)	(x4)	(x4)	(x4)
	>118 → (x5)	(x5)	(x5)	(x5)
	<p>M6 x 16 Screw</p>			
	<p>M6 Washer</p>	<p>M6 Lock Washer</p>	<p>M6 Square Nut</p>	
-118 → (x15)	(x12)	(x12)	(x3)	
>118 → (x18)	(x15)	(x15)	(x3)	

BS0015b



1. Locate the threaded inserts in the roof. Coat the holes with a quality silicone sealant.
2. Attach the mounting pads using one (1) each M8 x 25 socket head screw, star lock washer and flat washer for each pad.
3. Position the mounting bracket on the pads. The predrilled holes in the bracket will line up with the threaded holes in the pads.
4. Attach the bracket to the pads using three (3) each M6 x 16 screws, flat washers and lock washers for each pad.
5. In the rear track of the mounting bracket, start three (3) M6 x 20 screws and square nuts through the retaining screw holes (these are marked with an "\*" in the illustration above). Do not tighten at this time.
6. Refer to the Freestyle RM installation manual to complete the awning installation.