



# WINDOW AWNING

## Owner's Manual

**Section One** .....Installation Instructions

**Section Two** .....Operational Instructions

**Section Three**.....Troubleshooting and Adjustments

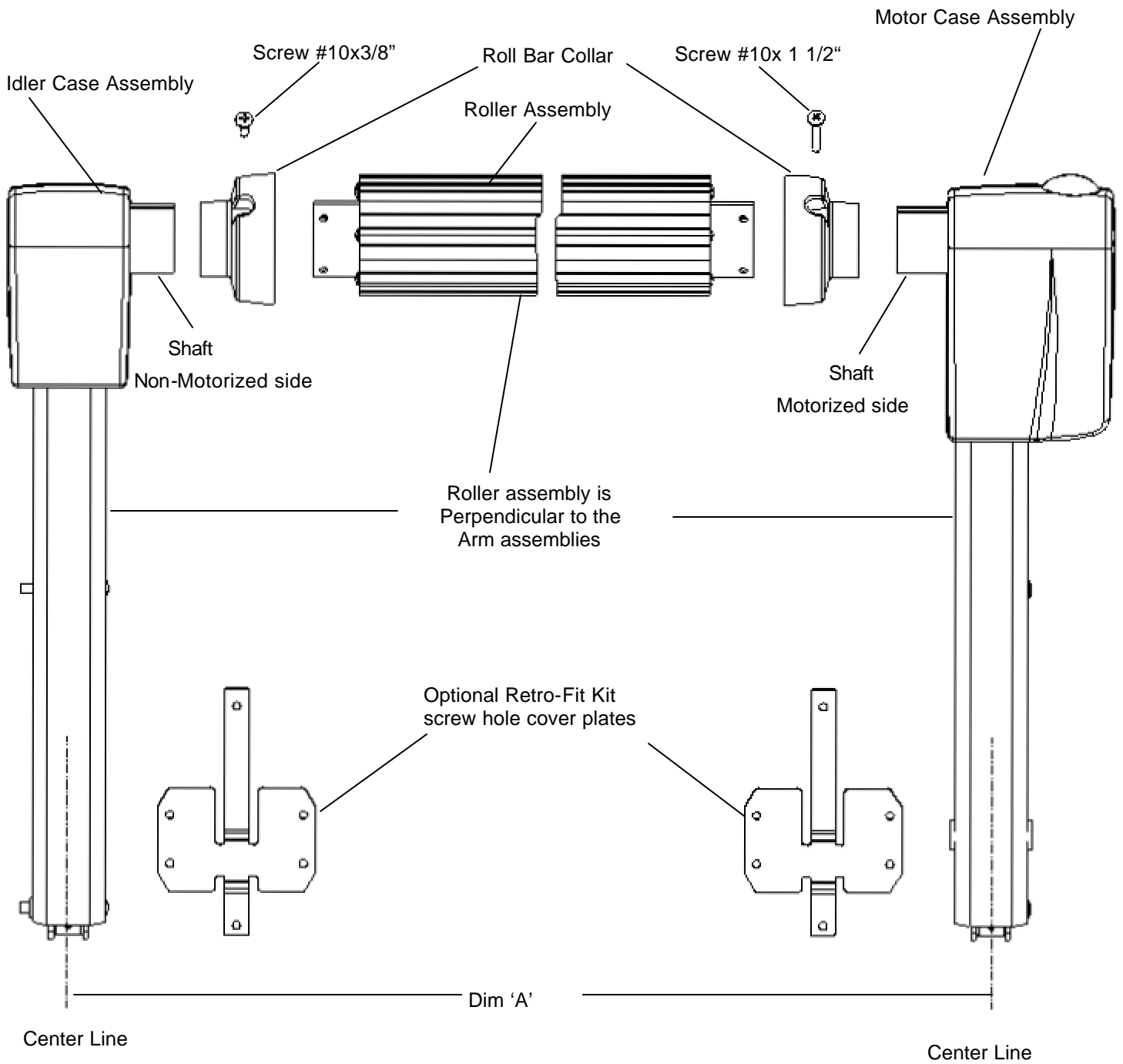
**Section Four**.....Maintenance

**Section Five**.....Warranty Information

**THIS PRODUCT AND MANUAL ARE INTENDED FOR INSTALLATIONS UPGRADING PREVIOUS CAREFREE NON-ELECTRIC WINDOW AWNINGS OR FOR INSTALLATION OF A COMPLETE NEW ONE TOUCH 12 VOLT WINDOW AWNING.**



**Review this diagram before proceeding**



## Section One

## Installation Instructions

Read the entire contents of this manual prior to performing any portion of the installation. Use these instructions for the installation of the Carefree ONE-Touch Window Awning only. Follow all cautions, warnings and notes to prevent injury or damage to the awning or the recreation vehicle.

### Safety Information

**Caution:** Indicates a hazard that may cause minor or moderate personal injury or physical property damage if the caution is ignored.

**Warning:** Indicates a hazard that may cause serious personal injury or major physical property damage if the warning is ignored.

**Note:** Indicates information that may be helpful within the context of that particular step.

**Tip:** Provides helpful suggestions during the installation procedures or during actual use of the ONE-Touch awning.

### Step One: Installation Recommendations

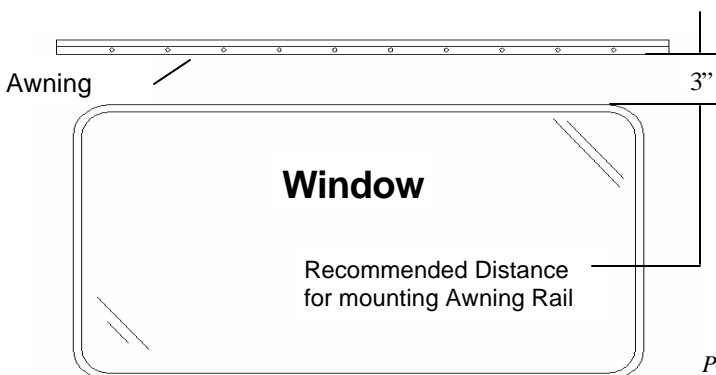
**ONE INSTALLER** (One temporary helper is beneficial)

#### TOOLS

- Tape Measure
- Step Ladder
- 5/16" Nut Driver
- 7/16" Drill Bit
- Ratchet or Speed Handle
- Flat or Round File
- Wire Crimper
- Diagonal Cutters
- Drill Motor
- 1/8" Drill Bit
- 3/16" Drill Bit
- #2 Phillips Screwdriver
- Caulking Gun
- Marking Pen
- Wire Stripper

#### SUPPLIES

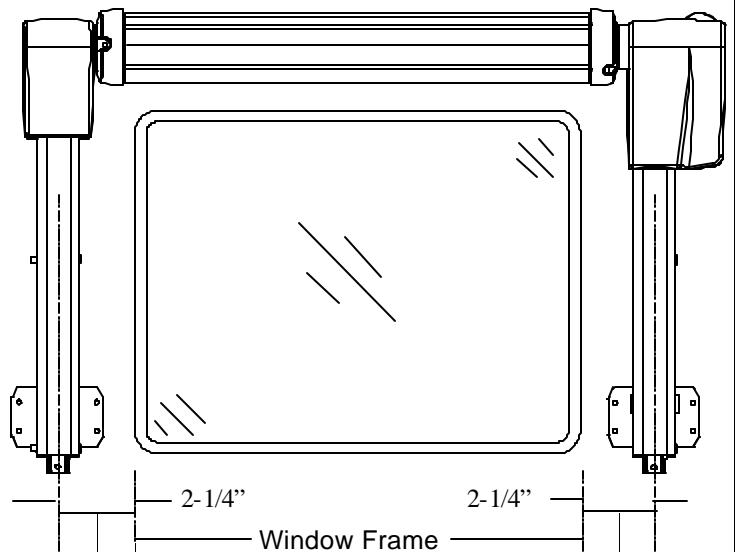
- Silicone Sealant
- Putty Tape (or equivalent)
- Silicone Spray Lubricant
- Heat Shrink Tubing



### Step Two: Installation Preparation

**IMPORTANT NOTE: BEFORE BEGINNING INSTALLATION, BE SURE TO READ ALL STEPS BELOW TO ENSURE THAT THE WINDOW AWNING IS THE CORRECT SIZE AND WILL MEET THE FOLLOWING INSTALLATION CRITERIA.**

- Measure the width of the window including frame. Add an extra (2-1/4") to each side of the frame (4-1/2" total) to allow space for the mounting brackets. (Figure 1.)
- Window awnings are available in six inch increments from three feet to seven feet, and in one foot increments from 8' to 15'. Choose an awning length one size above the measured length. Example: Window and frame measures 35" plus 4-1/2" bracket allowance equals 39-1/2" total. A three and one-half foot (42") awning is the correct size.



Minimum Mounting Bracket Allowance

figure 1

Determine the optimum positioning of the awning arms on the RV. Be sure the arms will not interfere with any vents, etc. Consider the correct positioning while noting the wiring outlet must be installed through the side of the RV in a location 4" to 6" above the bottom of the motor arm channel and 1" to 4" to the right of the right side arm of the awning.

### Step Three: Attaching the Arms to the Roller Assembly

**A.** Carefully remove the roller assembly and ONE-Touch hardware from their packaging.

**B.** Lay awning face down on a clean protected surface. Install roll bar collars on each end of the roll bar until they are fully seated against their stops. Insert the motor shaft into the roll bar making sure that the motor is on the right hand side of the roll bar when facing the awning rail. See figure 2.

**C.** Install the idler shaft into the opposite end of the roll bar. The idler shaft will have a tendency to rotate or spin freely making it difficult to align the two grooves in the idler shaft with the slots in the roll bar. To prevent this, remove the rubber bumper on the back of the idler case and insert a screw driver into the hole to prevent the idler shaft from turning.

**D.** Secure the roll bar collar and roll bar to motor shaft using the # 10 x 1½ " long self drilling screw provided. Secure the roll bar collar and roll bar to the idler shaft using the # 10 x 3/8" long self drilling screw provided. See figures 2 and 3.

**E.** Carefully slide the awning polyrod or *the Alumaguard* slat into the awning rail, on longer models this may be easier with a helper.

**Tip:** *Silicone spray lubricant applied to the awning rail will allow for easier installation.*

**F.** When the awning arms are attached to the roller assembly they should match figure 5 showing the window awning assembled.

**IMPORTANT:** The rubber bumper on the motor and idler housing should rest against the side wall of the RV. The rubber bumpers should be in line with the screws used to attach the awning rail.

**G.** Each mounting bracket has double sided adhesive tape applied on the back to aid with the installation. Before removing the protective film on the tape clean the mounting surface with the supplied primer or use alcohol. Position the awning as indicated in figures 1 and 5. Remove the film covering the tape and adhere the brackets to the coach side wall. Use the lower mounting hole to secure the brackets using two of the four #10-3/4" stainless steel screws provided. It is now safe to remove the Tie Wraps holding the Gas Spring loaded arms to the bracket as shown in figure 5. Access to the two remaining mounting whole may be achieved by fully extending the awning.

**Note:** If this is a retrofit to a previous Carefree Window Awning, use the hole cover plate supplied to cover the holes from the previous installation.

**Tip:** *For best results, pre-drill the holes. Inject silicone sealant into the holes.*

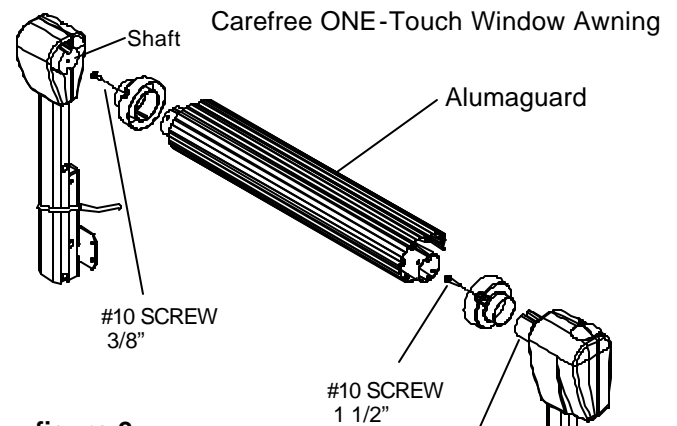


figure 2

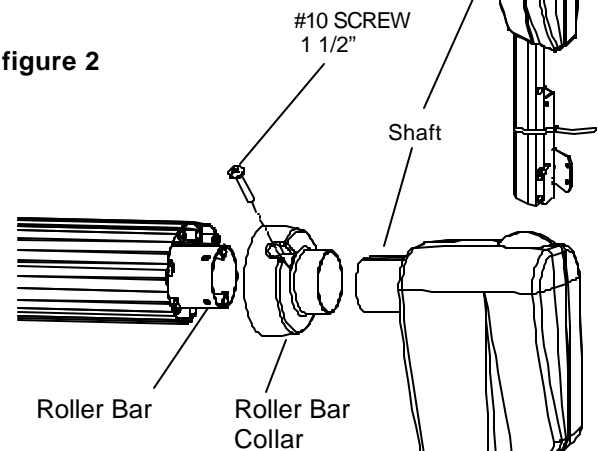


figure 3

MOTORIZED SIDE

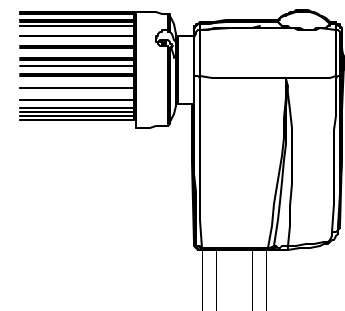


figure 4

Shown with Alumaguard

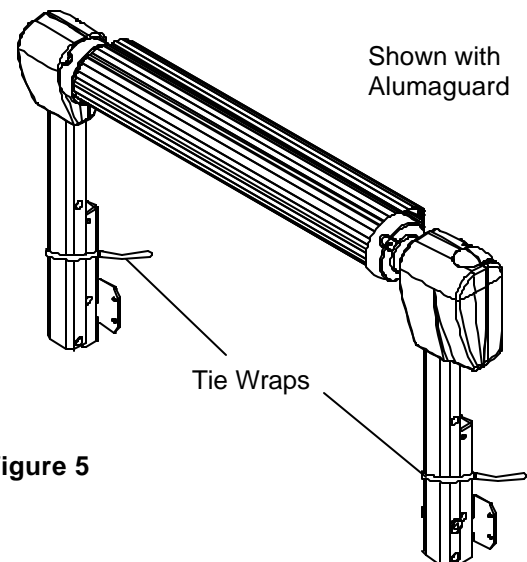
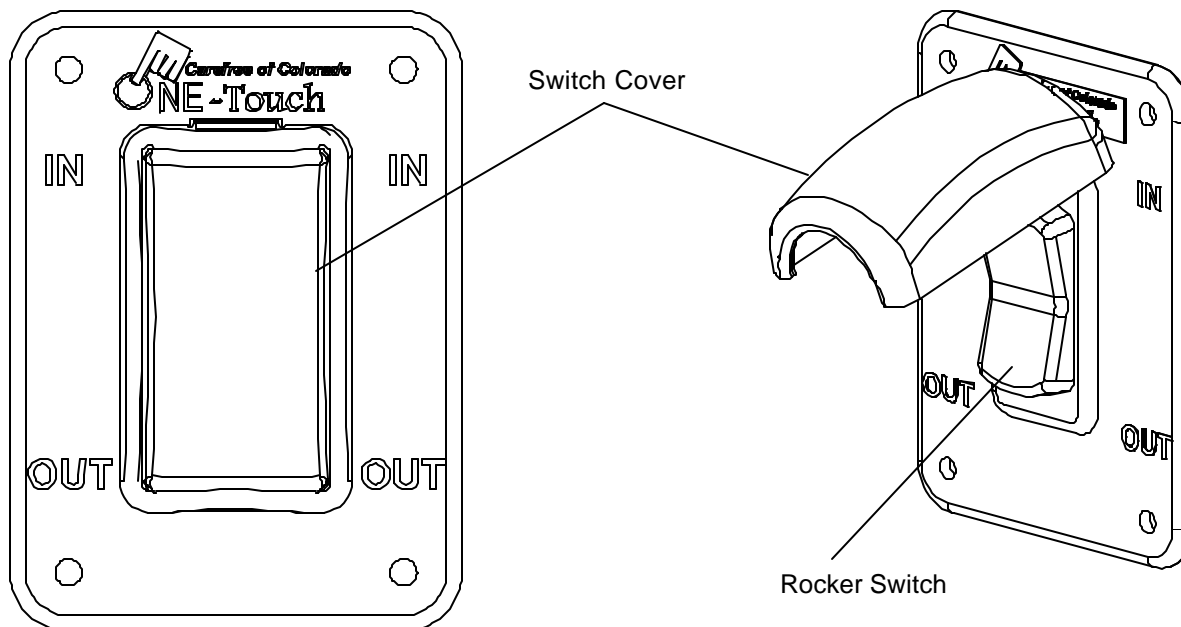


figure 5

**REVIEW KEY ELECTRICAL COMPONENTS BEFORE PROCEEDING**



**Power Control Switch Plate with Switch Cover**



**Wall Bushing**

## Step Four: Install the Power Control Switch

**Tip:** For optimum performance, always ensure electrical connections are clean, dry, and tight. When using solderless terminals or other methods of attaching or connecting wires, it is recommended to use heat shrink tubing to reduce corrosion contamination and the possibility of corroded connections or an open circuit.

**A.** Review the wiring diagram in **figure 9**. Determine a suitable location to mount the Power Control Switch Panel that will allow convenient wiring and sufficient view of the ONE-Touch Window Awning during operation while depressing the Power Control Switch. Typical locations include: adjacent to the window, in an overhead cabinet near the window. The Power Control Switch Panel assembly requires a rough cut-out opening that measures, 1" H x 2-1/4" W. Alternatively, a 2 1/2" hole saw may be used. The cover plate will cover the opening.

**Caution:** Minimum wire length and maximum wire size should be selected to assure adequate voltage to the ONE-Touch Window Awning motor.

**B.** After the location of the Power Control Switch is determined, cut out an opening in the mounting surface. Run the wires connected to the Power Control Switch through the opening. Do not fasten the Power Control Switch in place at this time.

**C.** Run a minimum of 16-gauge (14 gauge preferred for long runs, but no less than 16 gauge) wire from the positive terminal on the RV, power distribution panel (auxiliary battery circuit) to the Power control switch as shown in figure 9.

**D.** Connect the unattached end of the green wire connected to the Power Control Switch to a suitable grounding located on the RV. Use extra wires and a wire joint if necessary.

**Note:** A suitable ground would be the chassis of the RV or any other conductive structure attached to the chassis.

## Step Five: Installing the Electrical Wire

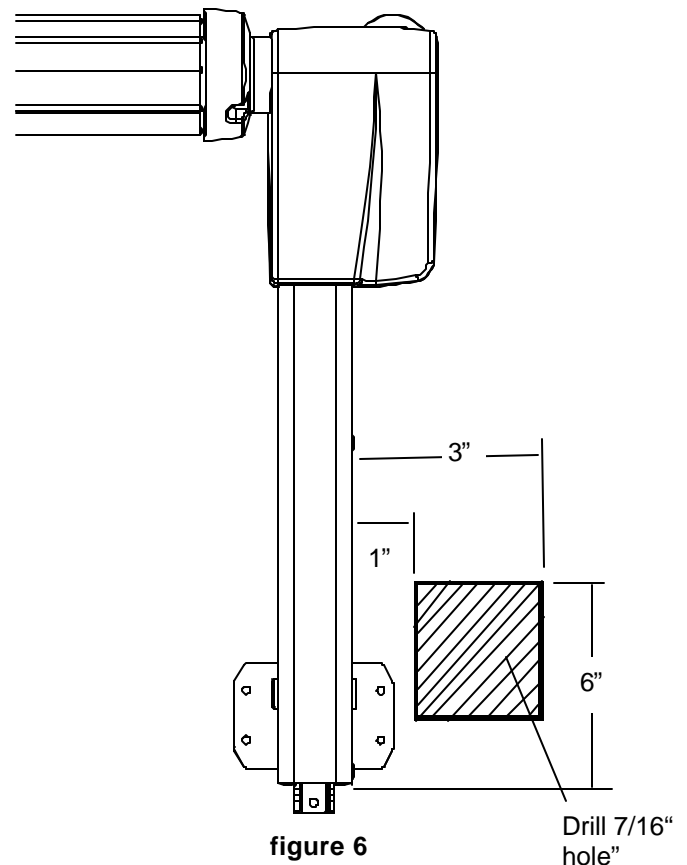
**A.** Mark and drill a 7/16" diameter hole in the exterior side wall, 4" - 6" above the bottom of the motor arm channel, and 1" - 4" to the right of the front arm of the awning (**figure 6**).

**B.** Slide the grommet into the wall the route wire through grommet and into the RV. Use silicone sealer to prevent moisture from entering RV.

**C.** Connect the motor wires to the Power Control Switch panel as shown in figure 9.

**Tip:** Use a sharp, 7/16" drill bit when drilling through laminate siding. A dull bit may result in an oversized hole or chipping and could allow potential moisture damage. For best results, try a few sample holes in similar scrap material.

**Caution:** Measure and mark carefully. Be aware of interior cabinet framing or other structures that may be located directly behind the wall. Shift the position as necessary while staying within the specified parameters. Be aware that structural obstructions may prevent proper hole drilling.



**Tip:** Conceal the wires behind corner trim molding or inside cabinets. If surface wiring is the only option, obtain aftermarket concealment raceways to safely route the wires.

**Tip:** Allow a downward loop to form in the wire from the Arm as it enters the side wall to prevent rainwater from entering.

### Step Six: Verify Operation

A. Fully extend the awning until the valance on the roller assembly points down.

**Note:** (1) If the motor runs in the reverse direction, it will be necessary to reverse motor leads connected to the Power Control Switch.

(2) The Power Control Switch panel may now be mounted in place.

### Step Seven: Secure the Canopy Fabric To the Awning Rail

A. Secure the canopy fabric or Alumaguard using one, #6 x 3/8" hex head screw at the front and back end of the awning (figure 7), a 1/4" Nut Driver will be required.

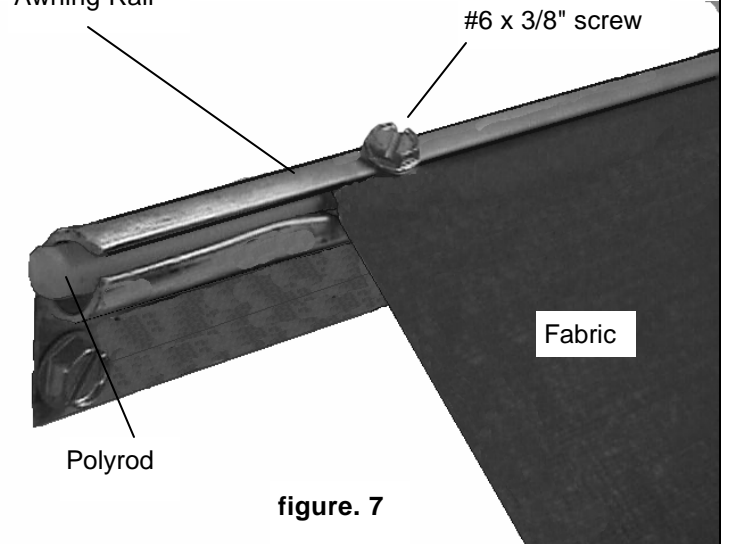
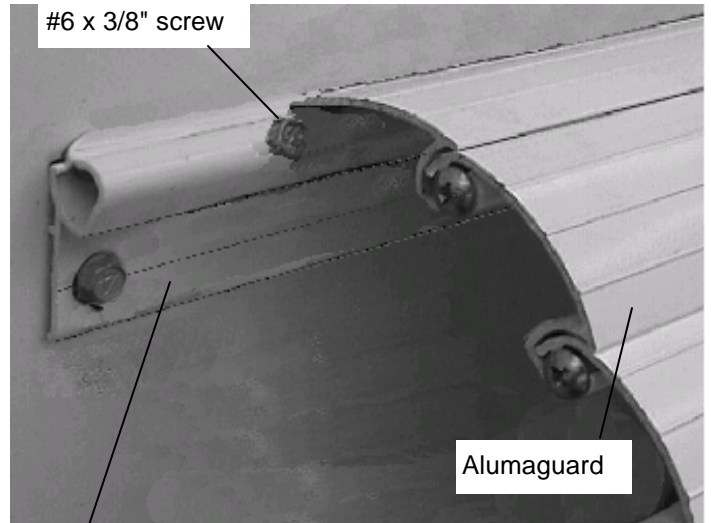


figure. 7

## Section Two

## Operational Instructions

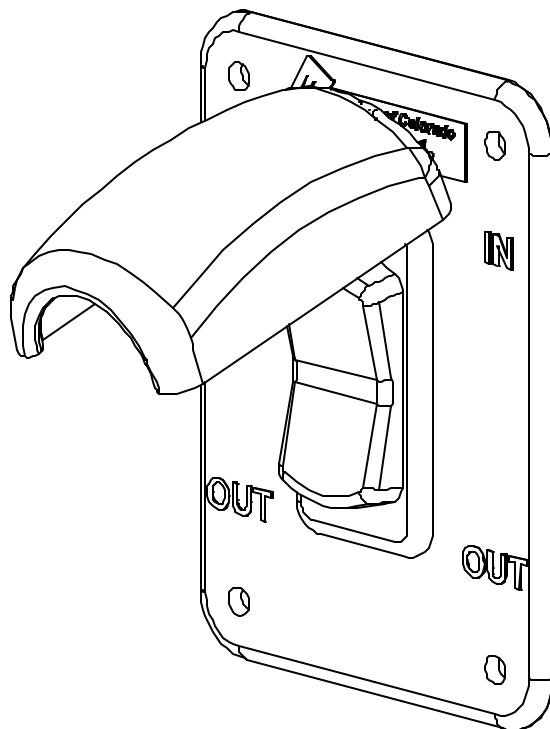
**Tip:** For optimum performance, be sure the battery systems are fully charged or the power converter energized.

### Step One: To Extend or Retract the Awning

**Note:** For safety, the power switch is covered to prevent accidental deployment of the awning.

**A. To Extend** awning, depress the lower portion of the rocker switch (this is marked on the plate as “**OUT**”) and hold until the awning is in the desired position.

**B. To Retract** awning depress the upper portion of the rocker switch (this is marked on the plate as “**IN**”)



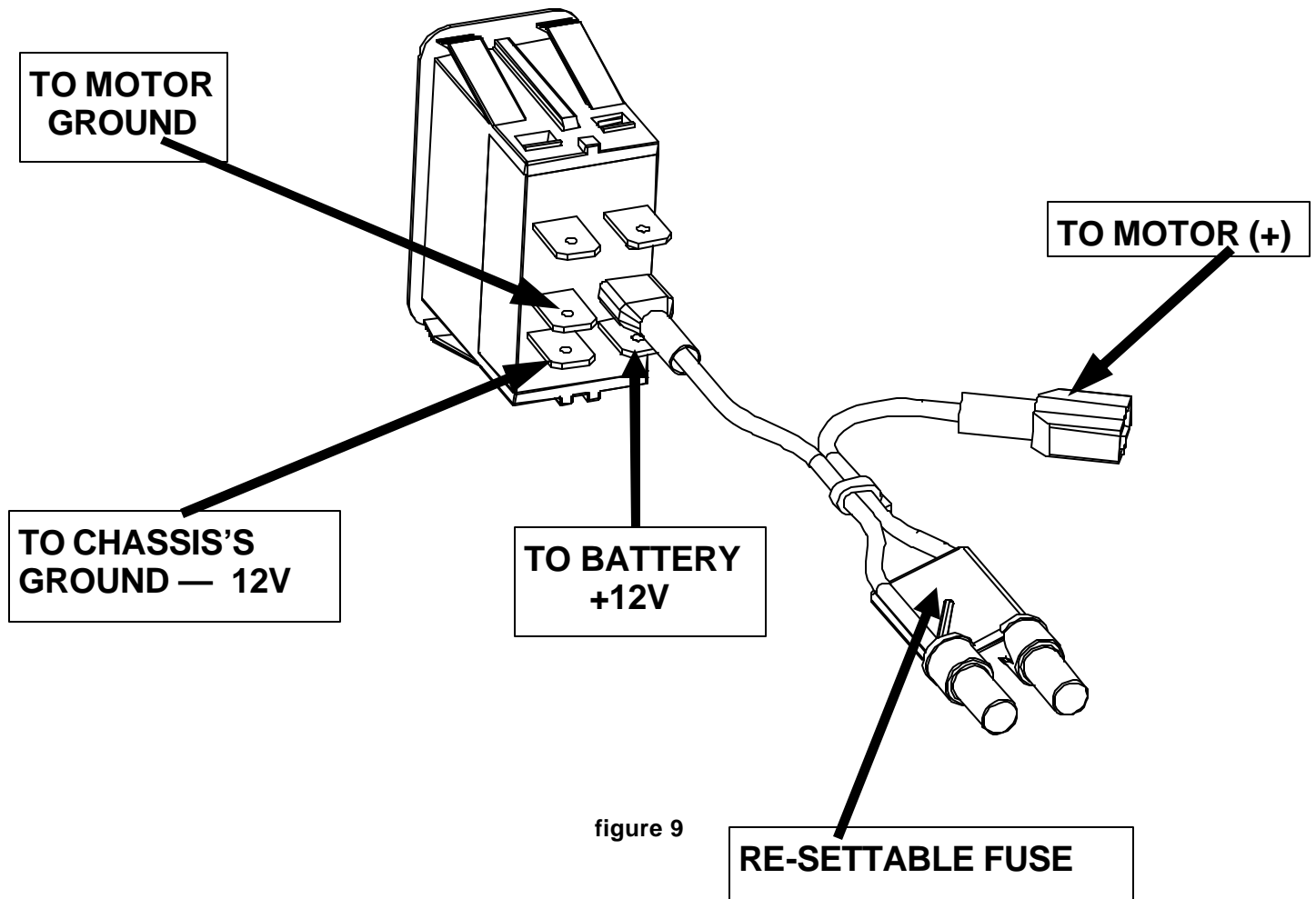
**Power Control Switch**

**Figure 8**



## CONNECTING WIRES TO SWITCH

1. Wire must be 14 or 16 gauge
2. Connect to circuit protected by a 15 amp fuse.



## Section Three

## Troubleshooting

**PRODUCT:** Carefree ONE-Touch Window Awning

**TITLE:** ONE-Touch Window Awning Troubleshooting

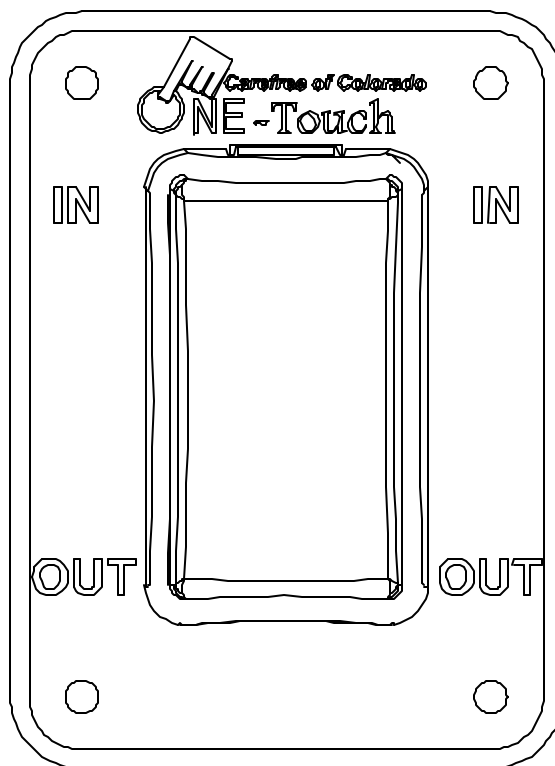
**DOCUMENT:** 052941-001 - 4/14/00

## ONE-Touch Window Awning TROUBLE SHOOTING GUIDE

PLEASE REVIEW THE FOLLOWING TO OBTAIN INFORMATION REGARDING SYMPTOMS, POSSIBLE CAUSES AND SOLUTIONS TO ONE-Touch AWNING PROBLEMS.

### **SYMPTOM: WINDOW AWNING DOES NOT EXTEND**

- ? **POSSIBLE CAUSE (1):** Low battery
- ◆ **PROBABLE SOLUTION (1):** Charge battery
- ? **POSSIBLE CAUSE (2):** Blown Fuse between the Power Control Switch and the Power Supply.
- ◆ **PROBABLE SOLUTION (2):** Replace fuse
- ? **POSSIBLE CAUSE (3):** Battery disconnect
- ? circuits open
- ◆ **PROBABLE SOLUTION (3):** Close battery disconnect
- ◆ disconnect circuits
- ? **POSSIBLE CAUSE (4):** Incorrect wire
- ? connection, bad connections or bad grounds.
- ◆ **PROBABLE SOLUTION (4):** Refer to wiring diagram for correct connections. Check all wiring connections and grounds and make sure there is good contact. Repair as necessary.



**Power Control Switch**

figure 10

## Section Four

## Maintenance

- Periodically clean the fabric using a mild laundry detergent or an approved aftermarket awning or vinyl cleaner.
  - When using cleaners, be sure to follow the manufacturers instructions carefully.
  - Use only a soft brush for cleaning or scrubbing.
  - Be sure to clean both sides of the fabric and to rinse thoroughly.
  - Allow the fabric to dry completely before retracting.
- Do not use oil based cleaners or any caustic, granulated, or abrasive type cleaners on your Carefree ONE-Touch Patio Awning.

- Replace any parts that become damaged.
- Periodically check all mounting hardware, screws, lags, etc., for tightness. Re-tighten when necessary. Keep the arm assemblies clean and free of debris by periodically flushing them with low pressure water (avoid introducing water into the motorized and non-motorized housings).

## Section Five

## Warranty Information

### CAREFREE OF COLORADO AWNINGS "TWO & FOUR" YEAR LIMITED WARRANTY

**1. DURATION:** *Two years* on parts, freight and labor on canopies; and *four years* parts, freight and labor on spring assemblies (or motors), rollers and hardware. Please retain dated proof of purchase (receipt). Warranty duration is not extended by the length of time the product is not in use or the time which purchaser is deprived the use of the product. The duration of coverage on parts and repairs provided as per this warranty shall be determined by the date of the original product purchase (not by the date of repairs).

**2. PRODUCTS:** Warranty covers all Carefree of Colorado ONE-Touch, Spirit, Fiesta, Simplicity, patio awnings and all Carefree Window Awnings installed and operated as per Warrantor's instructions.

**3. WHO GIVES THIS WARRANTY (WARRANTOR);**  
Carefree of Colorado  
a Scott Fetzer Company

Telephone: 1-303-469-1152  
Fax: 1-303-460-9106  
2145 West 6th Avenue  
Broomfield, CO 80020

No other person or company is authorized to change or amend the Warrantor's obligations set forth in this warranty.

**4. WHO RECEIVES THIS WARRANTY (ORIGINAL PURCHASER):** The first ("Original Purchaser"), other than for purposes of resale, of the Carefree of Colorado product that is properly installed and operated within the continental US and Canada.

**5. WHAT IS COVERED UNDER THIS WARRANTY:**

Defects on the manufacturer's material and workmanship of product under normal use, and which occur within the duration of the warranty period. On all awnings, the following parts are covered only as follows:

- a) Fabrics, free from quality defects (normal wear and fading are excluded);
- (b) Roller Tube, against extrusion defects;
- (c) Springs (or Motor) Assembly(ies), against breakage; and
- (d) Hardware, against extrusion defects.

**6. WHAT IS NOT COVERED UNDER THIS WARRANTY:**

- A.** Fabric damage such as pinholes or tears not reported within ten (10) calendar days of purchase;
- B.** Improper installation and/or any damage or failure that results from improper installation of the product, including fabric damage caused by improper installation;
- C.** Product abuse and normal wear.

**D.** Conditions that are not related to the material or workmanship of the product: including any failure that results from an accident, wind, rain, water pooling, or other acts of God; purchaser's abuse; neglect; failure to operate, or use or maintain the product in accordance with the instructions provided in the Owner's Manual supplied with the product; (failure to operate the product(s) in accordance with instructions in the Owner's Manual and on the product shall also include the removal or alteration of any product component or device. In the event of any such removal or alteration, this warranty is void);

**E.** ANY INCIDENTAL, INDIRECT, OR CONSEQUENTIAL LOSS, DAMAGE, OR EXPENSE THAT MAY RESULT FROM ANY DEFECT, FAILURE, OR MALFUNCTION OF THE CAREFREE OF COLORADO PRODUCT. Some states do not allow the exclusion or limitation on incidental or consequential damages, so the above limitation or exclusion may not apply to you.

**F.** Any failure that results from the use of another product with a Warrantor's product that is not specifically approved by the Warrantor.

**7. RESPONSIBILITIES OF WARRANTOR UNDER THIS WARRANTY:** Repair or replace at Warrantor's option, of the covered part(s) which Warrantor, in the exercise of its reasonable discretion, determines to be defective; provided that the Warrantor receives notice of the defect within the stated warranty period for that respective product/component. Warrantor will also pay the respective servicing dealer or agent for performing any repairs authorized by Warrantor as per the terms of this warranty.

**8. RESPONSIBILITIES OF ORIGINAL PURCHASER UNDER THIS WARRANTY:**

**A.** Retain dated Proof of Purchase for specific product, and provide it as requested.

**B.** Inspect the awning upon purchase to confirm the condition of the canopy and the proper operation of the product.

**C.** Perform "Periodic Preventative Maintenance" as specified in Owners Manual.

**D.** Deliver any product claimed or found defective during warranty period to the nearest Carefree of Colorado Authorized Service Dealer. The Original Purchaser is responsible for any expenses related to delivery or pick up of product to/from the Service Dealer. Visit [carefreeofcolorado.com](http://carefreeofcolorado.com) for the name of nearest Authorized Service Dealer, or call Carefree at the phone number shown in section five.

**E.** Use reasonable care in the operation and maintenance of the products as described in section four of this manual

**9. WHEN WARRANTOR WILL PERFORM REPAIR OR REPLACEMENT UNDER WARRANTY.**

**A.** Repair or replacement will be scheduled and performed according to normal work flow at the nearest Authorized Service Dealer, and depending on the availability of replacement parts.

**B.** If the purchaser does not receive satisfactory results from the Authorized Service Dealer, the purchaser should contact the Carefree of Colorado Customer Service Department (see paragraph 2).

THIS WARRANTY GIVES YOU SPECIFIC LEGAL RIGHTS AND YOU MAY ALSO HAVE OTHER RIGHTS WHICH VARY FROM STATE TO STATE. No action to enforce this warranty shall be commenced later than     30     days expiration of the warranty period.

The Duration of this Limited Warranty also limits the duration of any implied warranty such as warranty of merchantability or fitness for a particular use or purpose. Some states do not allow such limitations so the implied warranty limitation may not apply to you.

Carefree of Colorado reserves the right to change the specifications and design of any product without notice and with no obligation to make corresponding changes to products previously manufactured.