

CAREFREE WINDOW AWNING

OWNER'S MANUAL/INSTALLATION INSTRUCTIONS

052769-004

THIS MANUAL CONTAINS SECTIONS FOR: SAFETY, INSTALLATION, OPERATION, CARE AND MAINTENANCE AND WARRANTY-CUSTOMER MUST RECEIVE THIS MANUAL UPON INSTALLATION.

READ ENTIRE INSTRUCTIONS BEFORE BEGINNING INSTALLATION. FOLLOW ALL CAUTIONS, WARNINGS AND NOTES TO PREVENT INJURY OR DAMAGE TO AWNING OR VEHICLE.

TOOLS AND SUPPLIES REQUIRED:

Drill
1/8" Drill Bit
7/32" Drill Bit
3/32" Drill Bit
Putty Tape or Silicone Sealer
Pop Rivet Gun
5/16" Socket/Nut Driver
1/4" Socket/Nut Driver

SECTION 1: SAFETY INFORMATION

CAUTION: Means a hazard that may cause minor or moderate injury if the warning is ignored. It also may mean a hazard that will cause damage to property.

CAUTION: DO NOT RELEASE STRAP UNTIL THE AWNING IS AGAINST THE VEHICLE IN ITS RETRACTED POSITION. THE SPRING RETURN WILL VIOLENTLY ROLL UP AWNING RESULTING IN A SLAM AGAINST VEHICLE AND POSSIBLE DAMAGE TO RV OR AWNING.

CAUTION: DO NOT USE BLEACH, CAUSTIC CLEANERS, VINYL CLEANERS OR METAL CLEANERS ON ACRYLIC AS THEY WILL CAUSE PERMANENT DAMAGE TO FABRIC

SECTION II: INSTALLATION SPECIFICATIONS

IMPORTANT NOTE: BEFORE BEGINNING INSTALLATION, BE SURE TO READ ALL STEPS BELOW TO ENSURE THAT THE WINDOW AWNING IS PROPERLY INSTALLED AND CORRECT SIZE IS USED.

- Measure the width of the window including frame. Add an extra (2-1/4") to each side of the frame (4-1/2" total) to allow space for the mounting brackets. (Figure 1.)
- Window awnings are available in six inch increments from three feet to seven feet, and in one foot increments from 8' to 16'. Choose an awning length one size above the measured length. Example: Window and frame measures 35" plus 4-1/2" bracket allowance equals 39-1/2" total. A three and one-half foot (42") awning is the correct size.

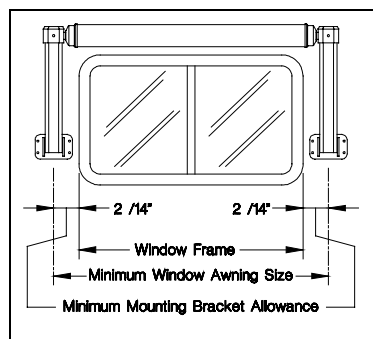


Figure 1

SECTION III: INSTALLATION INSTRUCTIONS

1. INSTALLATION OF AWNING RAIL

- Remove or slide the awning rail from the canopy. Apply sealer (putty tape or silicone) to the back surface of the rail.
- Center rail over the window with the bottom of the rail positioned 3" above the window frame. (Figure 2)

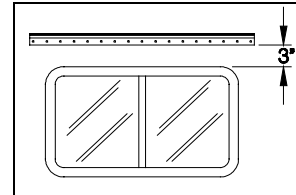


Figure 2

NOTE: THE AWNING RAIL MUST BE INSTALLED WITH THE SLOT POINTING UP.

- Attach rail to RV by drilling 1/8" holes into RV and fastening with supplied #10 x 3/4" hex head screws.

2. HANGING WINDOW AWNING

- Attach each arm assembly to the roller assembly by inserting arm extrusion into the end cap casting. Secure using #10 x 3/4" black hex head screws.
- Remove tape from roller assembly and unwrap enough material or aluminum, to allow for easy insertion into the awning rail.

NOTE: THE SPRINGS ARE PRE-WOUND WITH THE CORRECT NUMBER OF TURNS FOR THE SIZE OF THE ROLLER ASSEMBLY. IT IS NOT NECESSARY TO WIND SPRINGS DURING INSTALLATION.

- Slide Entire window awning into awning rail and center over window.
- Carefully remove cotter pins from each end.
CAUTION: THE COTTER PINS ARE HOLDING THE PREWOUND TENSION ON THE ROLLER ASSEMBLY. CARE MUST BE TAKEN TO PREVENT ANY DAMAGE OR INJURY WHEN REMOVING THESE PINS.

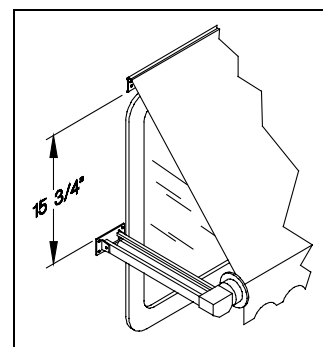


Figure 3

3. MOUNTING BOTTOM BRACKETS

- A. Align the arms parallel with the window frame, (or vertical if the window edge is not plumb).
- B. Place the top of the bottom bracket 15-3/4" below the bottom of the awning rail. (Figure 3.)
- C. Verify that the roller end cap is positioned just below the bottom of the awning rail slot and resting against the protective bumper. (Figure 4)

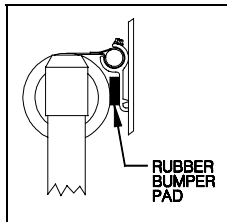


Figure 4

- D. Drill 1/8" holes into the RV and secure bracket with #10 x 3/4" black hex head screws. If there is no support behind the skin of the RV then drill 7/32" holes and secure bottom brackets using 3/16" molly rivets. (not supplied)

4. INSTALLING PULL STRAP CATCH

- A. After both brackets are installed, open the awning to its full extension by pulling down on the pull strap.
- B. Insert the pull strap catch into the loop of the strap.
- C. Position the strap vertically and under proper tension mark the mounting hole(Figure 5) location for the strap catch. Drill 1/8" holes in the RV and attach catch with either #10 x 3/4" hex head screws or 3/16" molly rivets as needed.

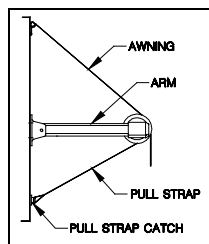


Figure 5

5. SECURING THE CANOPY

- A. Remove loop from catch and allow the awning to roll up to its stored position against the RV.
- B. Check to see that the arms are aligned properly allowing the canopy to roll up straight.
- C. Drill two 3/32" holes through awning rail, polycord and canopy approximately 2" from each end of canopy. Secure canopy using a #6 x 3/8" Hex Head screws. **NOTE: FOR ACRYLIC CANOPY AWNINGS: ACRYLIC CANOPY AWNINGS WITH ALUMAGUARD SLATTED BY INSTALLING THE #6 X 3/8" SCREWS OUTSIDE OF THE ALUMAGUARD --NOT THROUGH IT!**

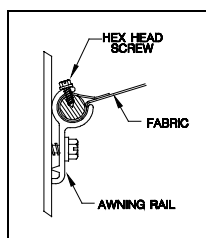


Figure 6

SECTION IV: OPERATING INSTRUCTIONS

1. TO EXTEND AWNING

Grasp or hook the pull strap loop and unroll the awning. Hook the loop onto the pull strap catch.

2. TO RETRACT AWNING:

Remove loop from pull strap catch and allow the awning to roll up to its stored position against the vehicle. (See Important Note Below)

CAUTION: DO NOT RELEASE STRAP UNTIL THE AWNING IS AGAINST THE VEHICLE IN ITS RETRACTED POSITION. THE SPRING RETURN WILL VIOLENTLY ROLL UP AWNING RESULTING IN A SLAM AGAINST VEHICLE AND POSSIBLE DAMAGE TO RV OR AWNING.

IMPORTANT NOTE: YOUR CAREFREE WINDOW AWNING IS EQUIPPED WITH A LONGER PULL STRAP. THE LONGER LENGTH WILL GIVE YOU GREATER FLEXIBILITY IN MOUNTING THE STRAP HOOK AND ADJUSTING YOUR WINDOW AWNING.

WHEN ROLLING UP YOUR WINDOW AWNING, WE RECOMMEND THAT YOU REMOVE THE STRAP FROM THE CATCH AND HOLD THE LOOPED END 14" TO 18" OFF CENTER AS YOU ALLOW THE AWNING TO ROLL UP.

THIS WILL ENSURE THAT THE STRAP DOES NOT ROLL-UP ON ITSELF AND CAUSE A PERMANENT DIMPLE OR STRETCH MARK IN THE AWNING FABRIC. THIS WILL ALSO KEEP THE AWNING STRAP FROM HANGING TOO FAR BELOW THE ROLLER IN THE TRAVEL POSITION. (THE MORE YOU MOVE THE END OF THE STRAP TO THE SIDE, THE LESS STRAP YOU'LL HAVE SHOWING BELOW THE ROLLER.)

SECTION V: CARE AND MAINTENANCE

CARE OF CAREFREE WINDOW AWNINGS

VINYL AWNINGS

Mildew will not form on the awning material itself, but may form on the dust allowed to accumulate on the canopy. A mild cleaner (soap & water) keep your vinyl awning looking like new. Follow instructions on the container. **DO NOT USE BLEACH!**

ALUMAGAURD/ACRYLIC AWNINGS

A mild cleaner should be used to clean the acrylic canopy. Warm soapy solution should be used to clean the Alumaguard.

MAINTENANCE

Like any other part of the RV, an owner should periodically inspect the awning. The following items should be checked.

- A. All mounting screws in brackets are tight.
- B. Check all pivot points for enlargement of holes or broken rivets.
- C. Check end caps for cracking, splitting.
- D. Check that awning rail is tight against coach and all screws are tight.
- E. Check canopy for loose stitching and possible shrinkage or puckering.

CAREFREE MAJOR PRODUCT LIMITED WARRANTY

Carefree of Colorado (hereafter referred to as Carefree) warrants to the first retail Purchaser that the Carefree Product is free of defects in material and workmanship within the terms and conditions as set forth in the warranty statement available online at www.carefreeofcolorado.com. Carefree's obligation under this warranty is limited to the repair or replacement, at Carefree's option, of any defective component with new or factory refurbished components.

OWNER MUST RETAIN THE ORIGINAL PROOF OF PURCHASE AND/OR HAVE THE PRODUCT WARRANTY REGISTRATION ON FILE AT CAREFREE FOR WARRANTY CLAIMS.

THIS WARRANTY IS NOT TRANSFERABLE.

For

- **Warranty Duration;**
- **Warranty Coverage and Exclusions;**
- **Warranty Terms of Coverage; and,**
- **Warranty Claim Procedures**

Refer to publication
052580-111 "Carefree Major Product Limited Warranty"
available online at
www.carefreeofcolorado.com

Register your Carefree products on-line at
www.carefreeofcolorado.com

IMPORTANT NOTICE: It is strongly recommended that adjustments and repairs be performed by trained technicians at your Authorized Carefree Dealer. Work performed by non-authorized persons or businesses may void warranty.